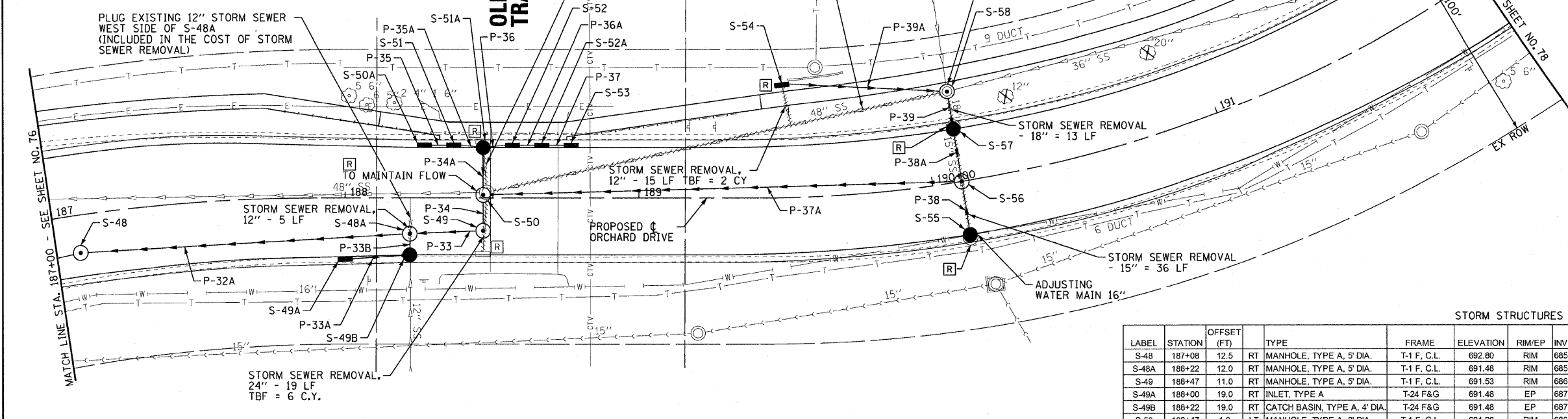
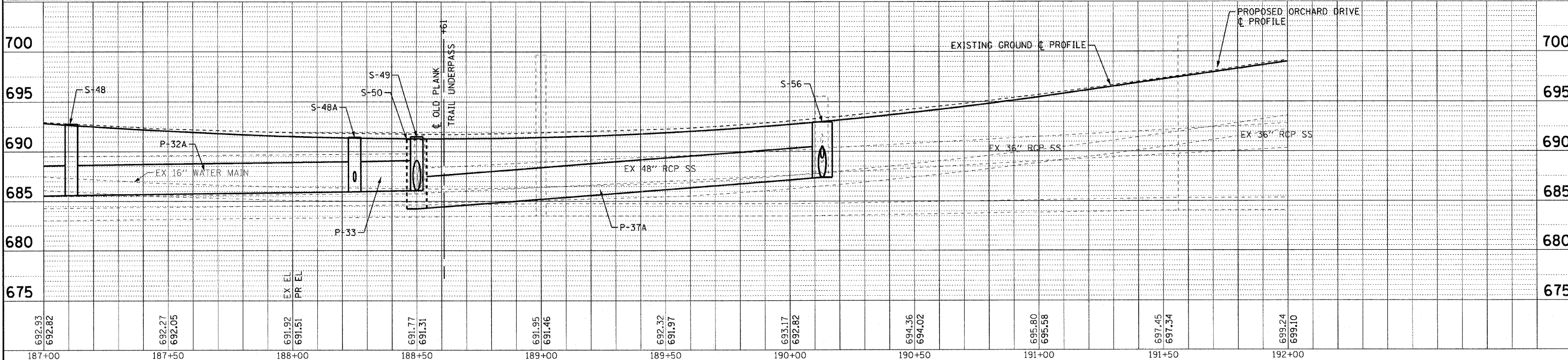


NO.	TYPE	DIA. (IN)	LENGTH (LF)	SLOPE	TBF (CY)	
P-32A	STORM SEWERS, CLASS A, TYPE	2	36	110	0.34%	112
P-33	STORM SEWERS, CLASS A, TYPE	1	36	25	0.52%	20
P-33A	STORM SEWERS, CLASS A, TYPE	1	12	22	1.36%	8
P-33B	STORM SEWERS, CLASS A, TYPE	2	12	7	4.29%	3
P-34	STORM SEWERS, CLASS A, TYPE	1	36	12	1.25%	9
P-34A	STORM SEWERS, CLASS A, TYPE	1	24	16	0.50%	7
P-35	STORM SEWERS, CLASS A, TYPE	1	12	10	1.10%	3
P-35A	STORM SEWERS, CLASS A, TYPE	1	15	15	0.27%	5
P-36	STORM SEWERS, CLASS A, TYPE	1	15	15	0.27%	5
P-36A	STORM SEWERS, CLASS A, TYPE	1	15	10	0.40%	3



NO.	TYPE	DIA. (IN)	LENGTH (LF)	SLOPE	TBF (CY)	
P-37	STORM SEWERS, CLASS A, TYPE	1	15	10	0.40%	3
P-37A	STORM SEWERS, CLASS A, TYPE	1	38x60	163	0.99%	159
P-38	STORM SEWERS, CLASS A, TYPE	1	15	18	1.00%	7
P-38A	STORM SEWERS, CLASS A, TYPE	1	38x60	18	1.06%	16
P-39	STORM SEWERS, CLASS A, TYPE	1	38x60	12	1.00%	13
P-39A	STORM SEWERS, CLASS A, TYPE	1	12	62	0.50%	19

LABEL	STATION	OFFSET (FT)	TYPE	FRAME	ELEVATION	RIM/EP	INVERT
S-48	187+08	12.5	RT MANHOLE, TYPE A, 5' DIA.	T-1 F, C.L.	692.80	RIM	685.60 36"S,N
S-48A	188+22	12.0	RT MANHOLE, TYPE A, 5' DIA.	T-1 F, C.L.	691.48	RIM	685.97 36"S,N; 687.00 12"E
S-49	188+47	11.0	RT MANHOLE, TYPE A, 5' DIA.	T-1 F, C.L.	691.53	RIM	686.10 36"S,W
S-49A	188+00	19.0	RT INLET, TYPE A	T-24 F&G	691.48	EP	687.80 12"N
S-49B	188+22	19.0	RT CATCH BASIN, TYPE A, 4' DIA.	T-24 F&G	691.48	EP	687.30 12"W, S,E(ex-field verify)
S-50	188+47	1.0	LT MANHOLE, TYPE A, 8' DIA.	T-1 F, C.L.	691.28	RIM	686.60 24"W; 686.25 36"E; 685.78 48"E(ex); 685.78 38"x60"N
S-50A	188+27	17.0	LT INLET, TYPE A	T-24 F&G	691.48	EP	687.80 12"N
S-51	188+37	17.0	LT INLET, TYPE A	T-24 F&G	691.00	EP	687.44 15"N; 687.69 12"S
S-51A	188+47	17.0	LT CATCH BASIN, TYPE A, 5' DIA.	T-24 F&G	690.93	EP	686.68 24"E; 687.40 15"N,S
S-52	188+57	17.0	LT INLET, TYPE A	T-24 F&G	690.93	EP	687.44 15"S,N
S-52A	188+67	17.0	LT INLET, TYPE A	T-24 F&G	690.93	EP	687.48 15"N,S
S-53	188+77	17.0	LT INLET, TYPE A	T-24 F&G	691.00	EP	687.52 15"S
S-54	189+48	38.0	LT INLET, TYPE A	T-1 F, O.L.	694.00	RIM	690.83 12"N
S-55	190+10	18.0	RT CATCH BASIN, TYPE A, 4' DIA.	T-24 F&G	693.72	EP	689.48 15"W
S-56	190+10	0.0	CL MANHOLE, TYPE A, 8' DIA.	T-1 F, C.L.	693.00	RIM	687.39 38"x60"S,W; 689.30 15"E
S-57	190+10	18.0	LT CATCH BASIN, TYPE A, 4' DIA.	T-24 F&G	692.28	EP	687.58 38"x60"E,W
S-58	190+10	31.0	LT MANHOLE, TYPE A, 8' DIA.	T-1 F, C.L.	694.50	RIM	687.70 38"x60"E; 690.52 12"S; 690.87 12"W(ex); 687.82 36"N(ex)



BAXTER & WOODMAN
DESIGNING ENGINEERS

DESIGNED - AMM
DRAWN - UKB
CHECKED - TAO
DATE - 10/24/11

REVISED -
REVISED -
REVISED -
FILE - 060670-PH2-DUI7.sht

STATE OF ILLINOIS
ORCHARD DRIVE IMPROVEMENTS

DRAINAGE AND UTILITY
ORCHARD DRIVE

SCALE: HORIZ. 1"=20' / VERT. 1"=5'
STA. 187+00 TO STA. 192+00

F.A.U. RTE. 2836
SECTION 06-00090-00-PP
COUNTY COOK
TOTAL SHEETS 200
SHEET NO. 77
CONTRACT NO. 63635
FED. ROAD DIST. NO. 1 ILLINOIS FED. AID PROJECT M-800366J

COPYRIGHT © 2011 BY BAXTER & WOODMAN, INC.
 STATE OF ILLINOIS - PROFESSIONAL DESIGN FIRM
 LICENSE NO. - BF 00000000
 ILL. PROFESSIONAL ENGINEER REG. NO. 060670
 ILL. PROFESSIONAL SURVEYOR REG. NO. 060670