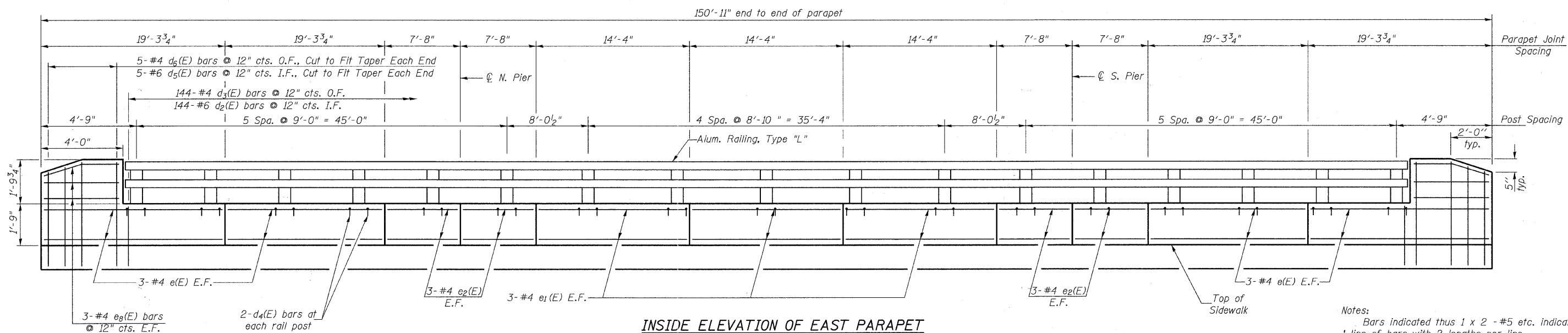


INSIDE ELEVATION OF WEST PARAPET

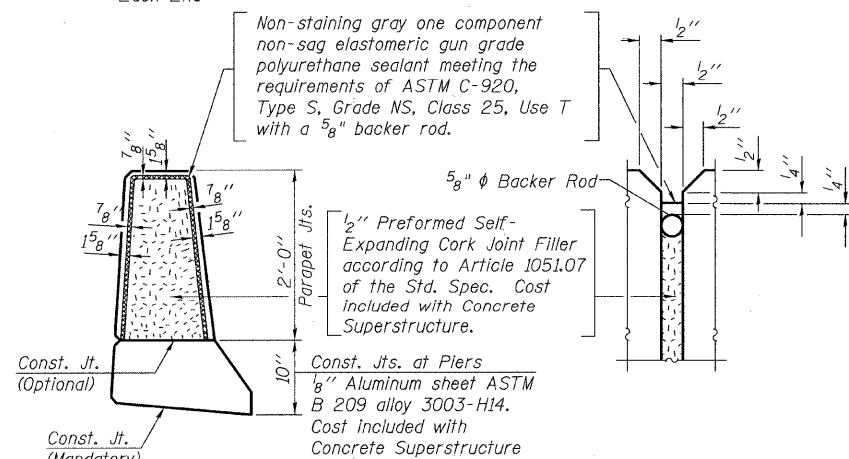


INSIDE ELEVATION OF EAST PARAPET

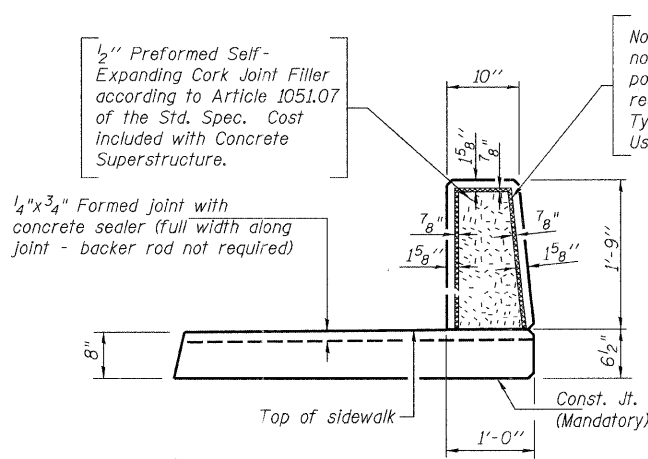
Notes:
 Bars indicated thus 1 x 2 -#5 etc. indicates 1 line of bars with 2 lengths per line.
 I.F. = Inside Face
 O.F. = Outside Face
 E.F. = Each Face
 See Sheet 9 of 26 for section thru parapet and Bill of Materials.

MIN. BAR LAP

#4 = 2'-0"
 #8 = 5'-2"



(West Parapet)



(East Parapet)

PARAPET JOINT DETAILS

SUPERSTRUCTURE DETAILS
JOLIET STREET (TR 851) OVER HICKORY CREEK
SECTION 07-10117-00-BR
WILL COUNTY
STATION 9+97.55

SHEET NO. 8 26 SHEETS	RTE. NO. TR 851	SECTION 07-10117-00-BR	COUNTY WILL	TOTAL SHEETS 36	SHEET NO. 16
	S.N. 099-3290		CONTRACT NO. 63642		
	FED. ROAD DIST. NO. 7 ILLINOIS			FED. AID PROJECT BRS-	