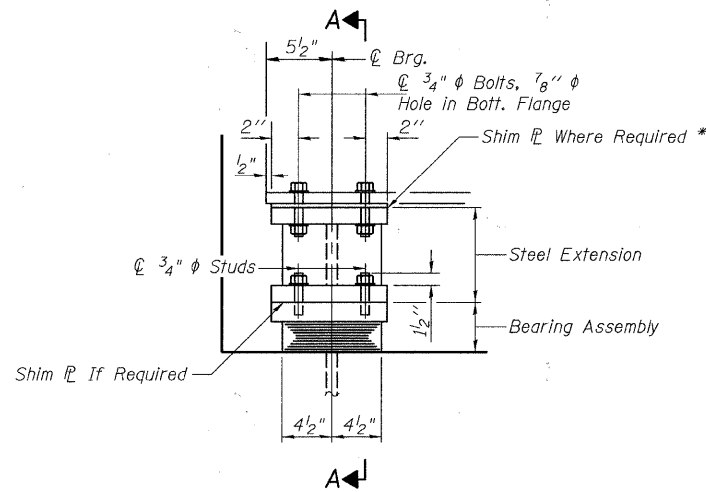
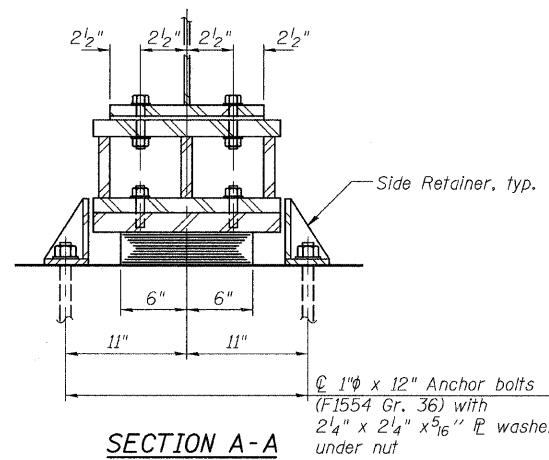


\* See table for corresponding Shim Plate Thickness

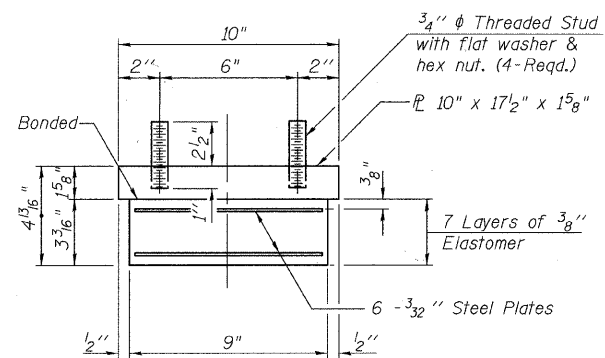


ELEVATION AT ABUT.



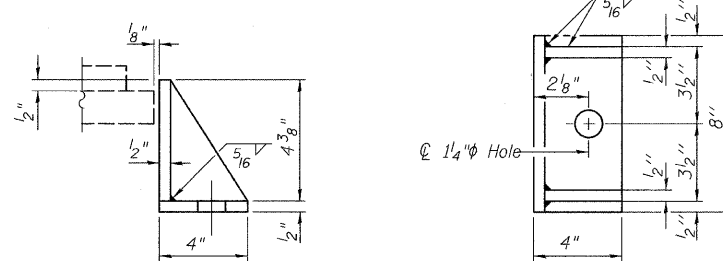
SECTION A-A

**TYPE I ELASTOMERIC EXP. BRG. AT N. ABUTMENT**



BEARING ASSEMBLY

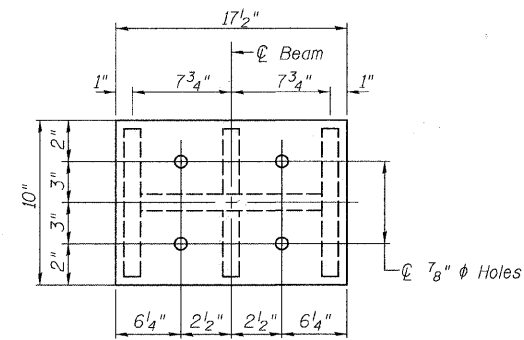
Note:  
Shim plates shall not be placed under Bearing Assembly.



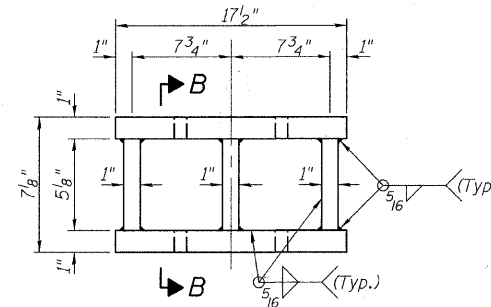
**SIDE RETAINER TYPE I**  
Equivalent rolled angle with stiffeners will be allowed in lieu of welded plates.

**BILL OF MATERIAL**

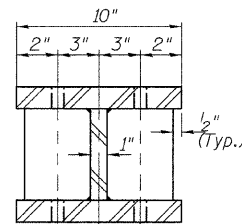
Item	Unit	Total
Elastomeric Bearing Assembly Type I	Each	6
Anchor Bolts, 1"	Each	12
Jack and Remove Existing Bearings	Each	6



**PLAN STEEL EXTENSION**  
(North Abutment)

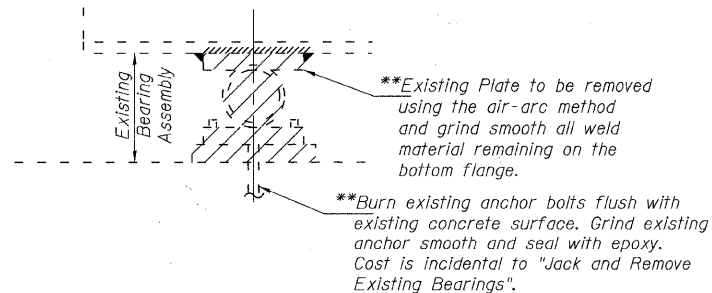


**ELEVATION STEEL EXTENSION**  
(North Abutment)



SECTION B-B

Notes:  
Anchor bolts shall be ASTM F1554 all-thread (or an Engineer-approved alternate material) of the grade(s) and diameter(s) specified. ASTM A307 Grade C anchor bolts may be used in lieu of ASTM F1554 Grade 36 (Fy=36ksi). The corresponding specified grade of AASHTO M314 anchor bolts may be used in lieu of ASTM F1554.  
Drilled and set anchor bolts shall be installed according to Article 521.06 of the Standard Specifications.  
Side retainers, steel extensions and other steel members required for the elastomeric bearing assembly shall be included in the cost of Elastomeric Bearing Assembly, Type I.  
Prior to ordering any material, the Contractor shall verify in the field all bearing height and shim thickness dimensions.  
The concrete deck shall be removed prior to jacking and removing the existing bearings.



\*\* Cost is included in Jack and Remove Existing Bearings.

**EXISTING BEARING REMOVAL DETAIL**

**N. ABUT. SHIMPLATE TABLE**

Beam No.	Thickness
1	1/2"
2	-
3	-
4	1/2"
5	5/8"
6	7/8"

**NORTH ABUTMENT BEARING DETAILS**  
**JOLIET STREET (TR 851) OVER HICKORY CREEK**  
**SECTION 07-10117-00-BR**  
**WILL COUNTY**  
**STATION 9+97.55**

SHEET NO.	RTE. NO.	SECTION	COUNTY	TOTAL SHEETS	SHEET NO.
19	TR 851	07-10117-00-BR	WILL	36	27
26 SHEETS			S.N. 099-3290		CONTRACT NO. 63642
FED. ROAD DIST. NO. 7 ILLINOIS			FED. AID PROJECT BRS-		