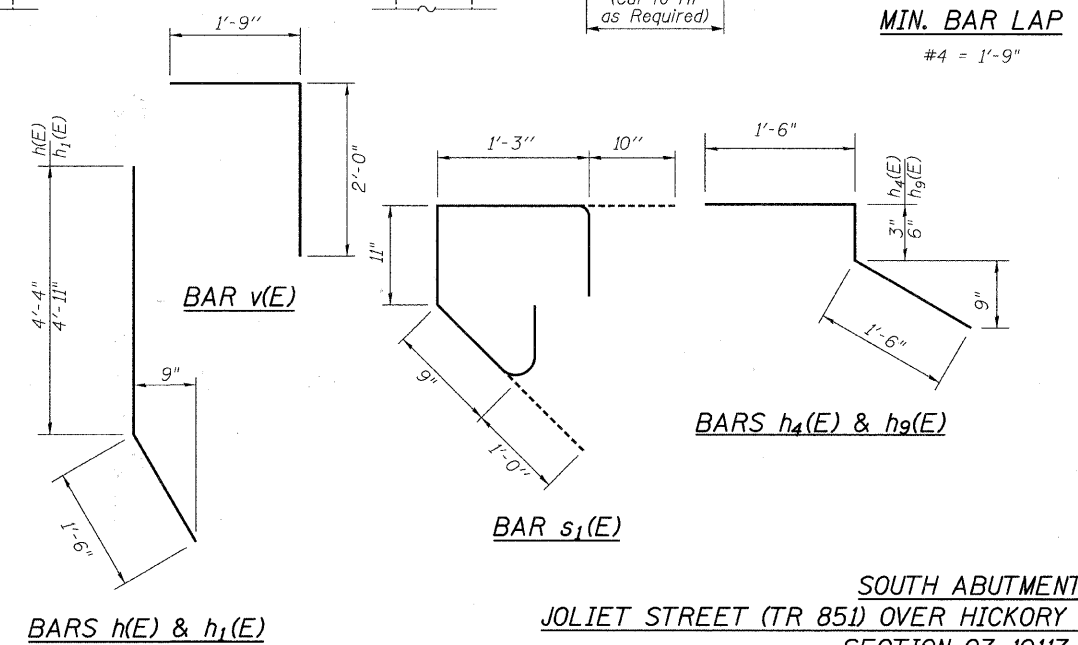
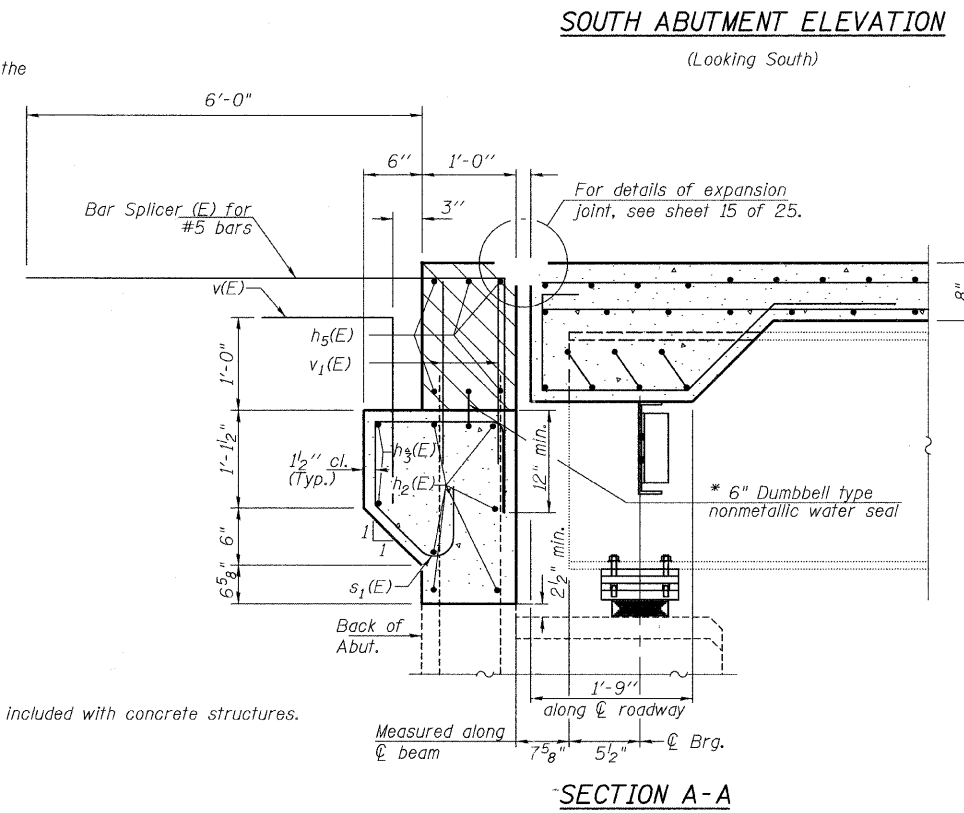


Notes:  
 Existing vertical reinforcement shall be cleaned and incorporated into the new construction. Cost included with Concrete Removal.  
 Hatched area to be poured after superstructure false work has been removed. Quantity of concrete included with Concrete Superstructure.  
 Sidewalk to be poured with Approach Slab after the hatch block has been poured. Quantity of Concrete Superstructure and Reinforcement included in the Approach Slab quantities.

**SOUTH ABUTMENT  
 BILL OF MATERIAL**

Bar	No.	Size	Length	Shape
h(E)	10	#4	5'-10"	—
h <sub>1</sub> (E)	10	#4	6'-5"	—
h <sub>2</sub> (E)	6	#5	42'-11"	—
h <sub>3</sub> (E)	2	#6	41'-6"	—
h <sub>4</sub> (E)	5	#4	3'-3"	—
h <sub>5</sub> (E)	5	#6	42'-11"	—
h <sub>9</sub> (E)	5	#4	3'-6"	—
s <sub>1</sub> (E)	43	#5	4'-9"	⏏
v(E)	42	#5	3'-9"	⏏
v <sub>1</sub> (E)	88	#4	3'-3"	—
Concrete Structures		Cu. Yd.	5.4	
Reinforcement Bars, Epoxy Coated		Pound	1,390	
Bar Splicers		Each	37	

\* Cost included with concrete structures.



**SOUTH ABUTMENT PLAN  
 JOLIET STREET (TR 851) OVER HICKORY CREEK  
 SECTION 07-10117-00-BR  
 WILL COUNTY  
 STATION 9+97.55**

SHEET NO. 21  26 SHEETS	RTE. NO. TR 851	SECTION 07-10117-00-BR	COUNTY WILL	TOTAL SHEETS 36	SHEET NO. 29
	S.N. 099-3290		CONTRACT NO. 63642		
FED. ROAD DIST. NO. 7 ILLINOIS			FED. AID PROJECT BRS-		