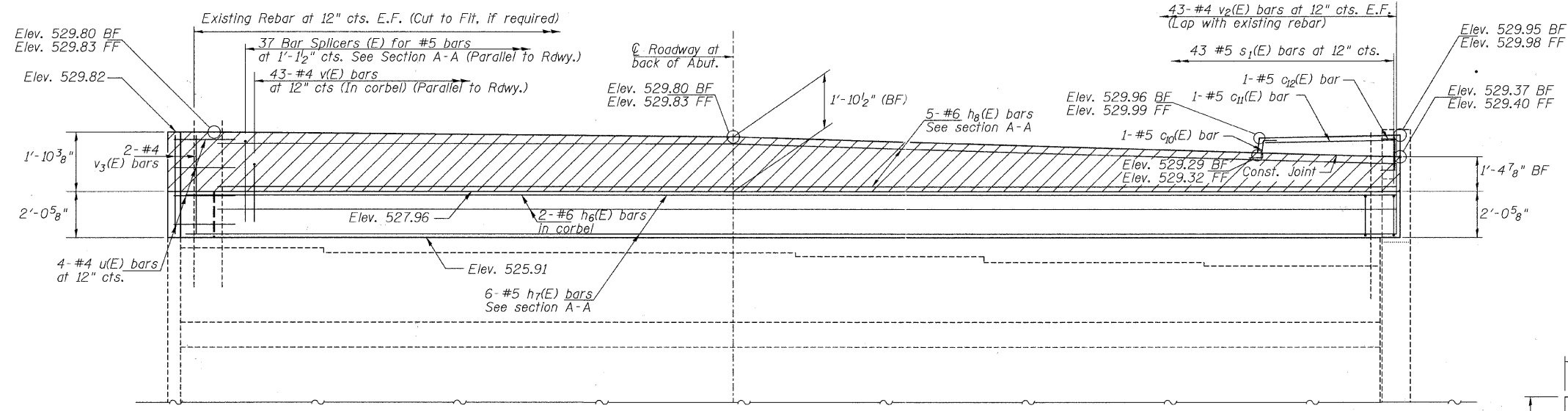


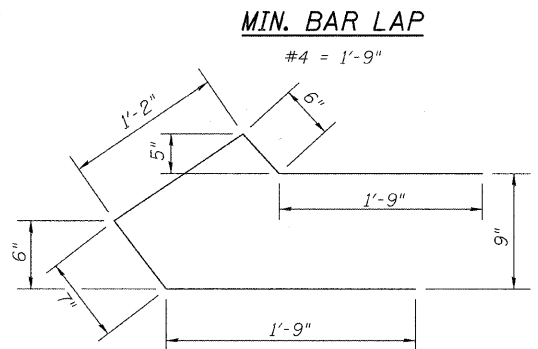
NORTH ABUTMENT PLAN

**NORTH ABUTMENT
BILL OF MATERIAL**

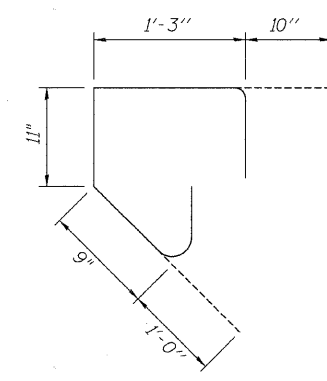
Bar	No.	Size	Length	Shape
h ₆ (E)	2	#6	41'-9"	—
h ₇ (E)	6	#5	42'-6"	—
h ₈ (E)	5	#6	42'-6"	—
s ₁ (E)	43	#5	4'-9"	⊏
u(E)	4	#4	5'-9"	⊏
v(E)	43	#4	3'-9"	⊏
v ₂ (E)	86	#4	3'-1"	—
v ₃ (E)	4	#4	3'-7"	—
Concrete Structures		Cu. Yd.	4.4	
Reinforcement Bars, Epoxy Coated		Pound	1,230	
Bar Splicers		Each	37	



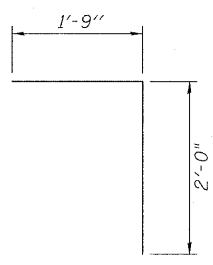
**NORTH ABUTMENT ELEVATION
(Looking North)**



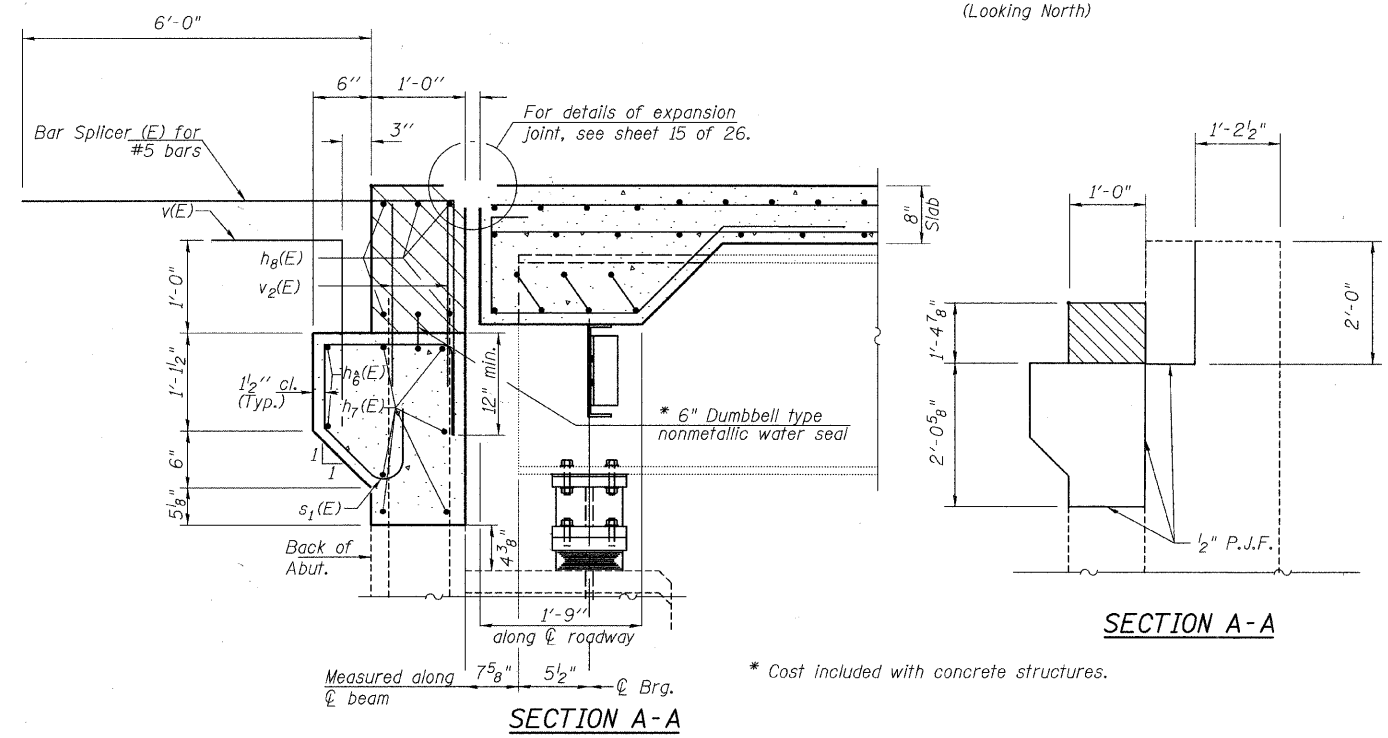
BAR u(E)



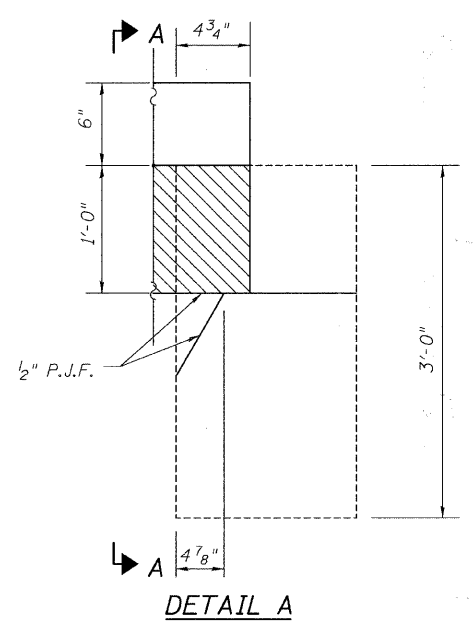
BAR s₁(E)



BAR v(E)



SECTION A-A



DETAIL A

Notes:
Existing vertical reinforcement shall be cleaned and incorporated into the new construction. Cost included with Concrete Removal.
Hatched area to be poured after superstructure false work has been removed. Quantity of concrete included with Concrete Superstructure.
Sidewalk to be poured with Approach Slab after hatch block has been poured. Quantity of Concrete Superstructure and Reinforcement included in Approach Slab quantities.

**NORTH ABUTMENT PLAN
JOLIET STREET (TR 85) OVER HICKORY CREEK
SECTION 07-10117-00-BR
WILL COUNTY
STATION 9+97.55**

SHEET NO. 23 26 SHEETS	RTE. NO. TR 851	SECTION 07-10117-00-BR	COUNTY WILL	TOTAL SHEETS 36	SHEET NO. 31
	S.N. 099-3290		CONTRACT NO. 63642		
	FED. ROAD DIST. NO. 7 ILLINOIS		FED. AID PROJECT BRS-		