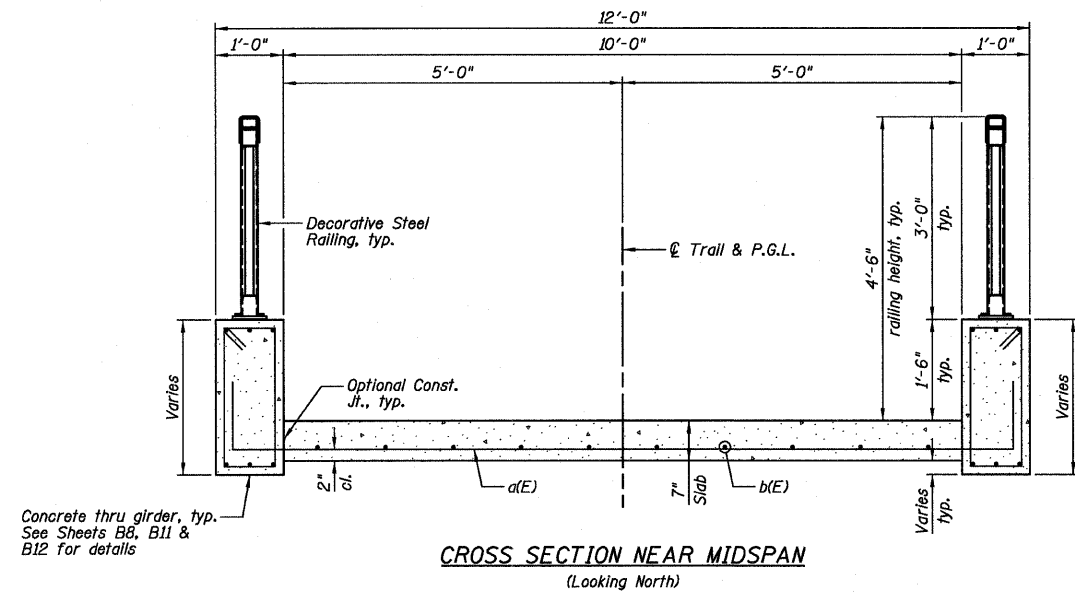
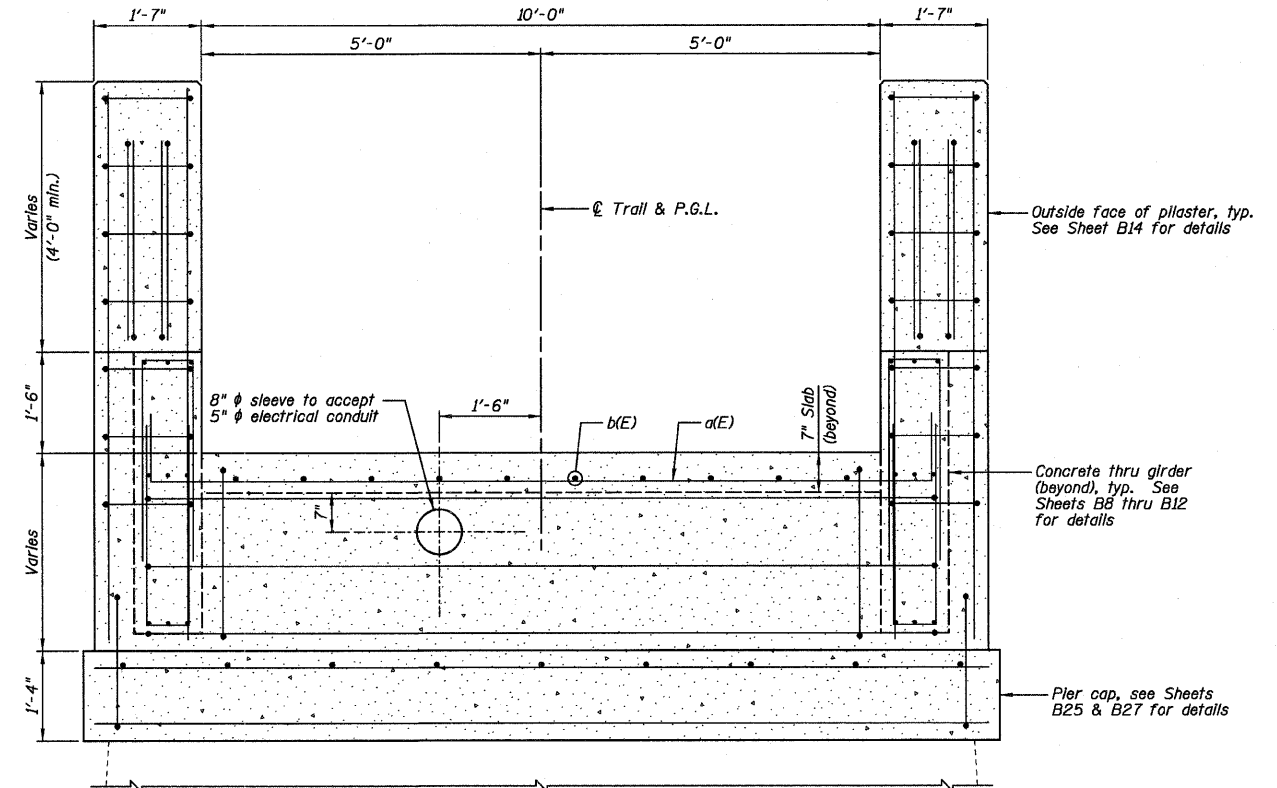


CROSS SECTION OF BRIDGE
 (Looking North)
 (Post-Tensioning not shown for clarity.)



CROSS SECTION NEAR MIDSPAN
 (Looking North)



TYPICAL CROSS SECTION OF PIER
 (Looking North)

NOTES:

- 1.) See Sheet B14 for Superstructure Details and Bill of Material.
- 2.) See Sheet B29 for Bar Splicer Details.
- 3.) 5" ϕ electrical conduit to be grouted by others after installation is complete.
- 4.) After Post-Tensioning tendons are stressed and grouted, cut strand tails as recommended by manufacturer, break grout vents & injection ports flush with surface, and clean pockets. Thru girder forming method should allow for tendon anchor pockets to fill with concrete.

Farnsworth
 GROUP, INC.
 2709 McGraw Drive
 Bloomington, Illinois 61704
 309/663-8435, 309/663-1571 fax

DESIGNED - JML/JCZ	REVISED
CHECKED - JML	REVISED
DRAWN - DJM	REVISED
CHECKED - MSW	REVISED
DATE - 10/17/11	

GENEVA PARK DISTRICT
GENEVA, ILLINOIS

SUPERSTRUCTURE CROSS SECTIONS
ISLAND PARK NORTH BRIDGE

SHEET NO. B13 OF 31 SHEETS

F.A. RTE.	SECTION	COUNTY	TOTAL SHEETS	SHEET NO.
N/A	06-P4005-00-BR	KANE	42	22
				CONTRACT NO. 63643
ILLINOIS FED. AID PROJECT				