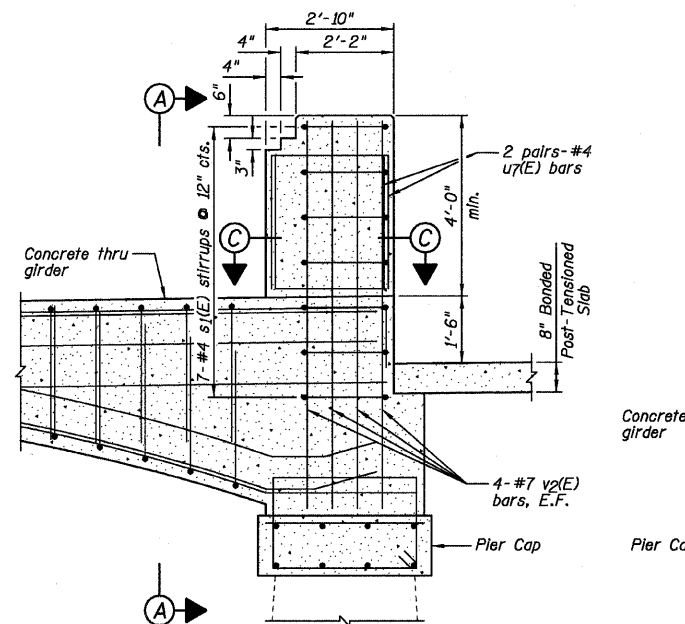
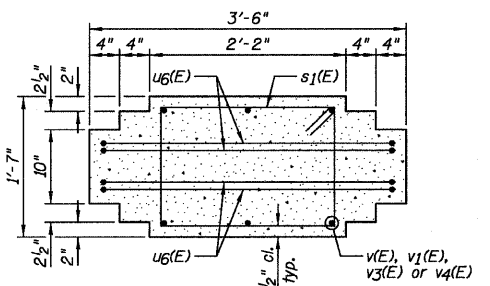


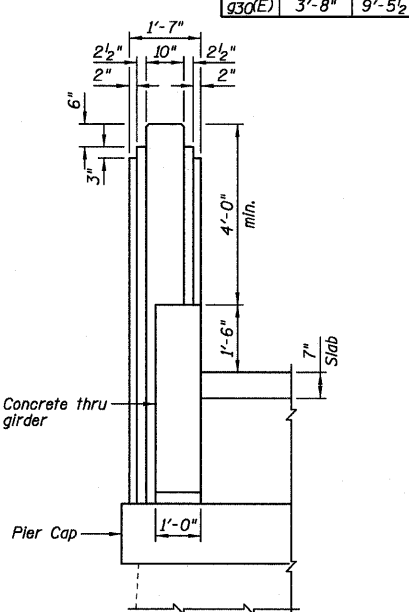
TYPICAL SECTION THRU PILASTER



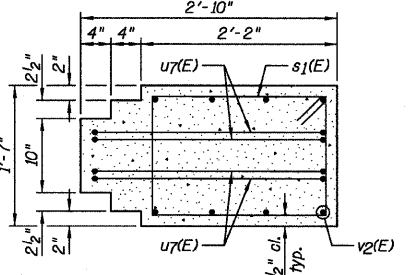
SECTION THRU PILASTER
PIER NO. 2 AND PIER NO. 3



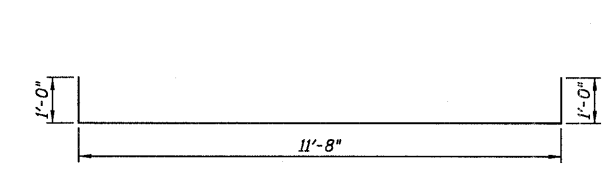
SECTION B-B



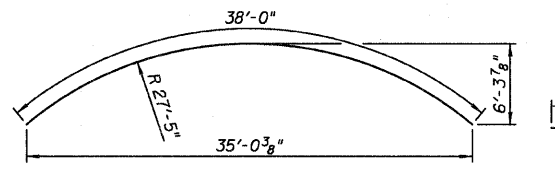
SECTION A-A



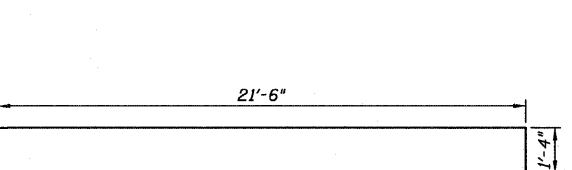
SECTION C-C



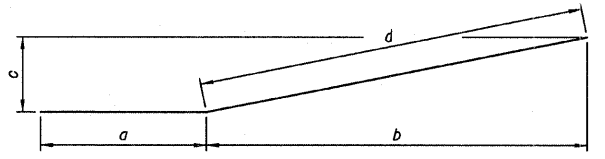
a(E) BAR



b6(E) BAR

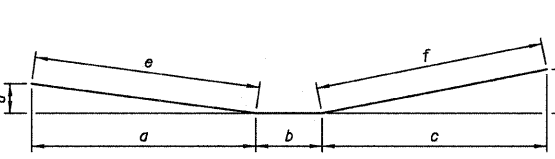


g2(E) BAR



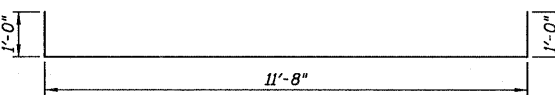
q(E) BARS

| Bar | a | b | c | d |
|--------|--------|------------|------------|--------|
| q4(E) | 3'-8" | 8'-5" | 1'-8 1/2" | 8'-7" |
| q6(E) | 3'-4" | 12'-9 3/8" | 2'-3 3/8" | 13'-0" |
| q7(E) | 5'-10" | 2'-0" | 1'-7 1/2" | 2'-7" |
| q8(E) | 5'-10" | 1'-8 1/2" | 1'-4 1/2" | 2'-2" |
| q9(E) | 5'-10" | 1'-4 1/4" | 1'-3 3/8" | 1'-9" |
| q10(E) | 5'-10" | 2'-8 7/8" | 2'-2 3/4" | 3'-7" |
| q11(E) | 5'-10" | 2'-5 5/8" | 2'-0 1/4" | 3'-2" |
| q12(E) | 5'-10" | 2'-1 5/8" | 1'-9 1/8" | 2'-9" |
| q28(E) | 3'-4" | 11'-9 1/8" | 2'-4 3/8" | 12'-0" |
| q30(E) | 3'-8" | 9'-5 1/2" | 1'-11 3/4" | 9'-8" |

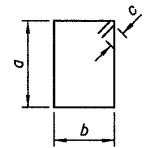


q(E) BARS

| Bar | a | b | c | d | e | f | g |
|--------|------------|-------|------------|-----------|---------|--------|------------|
| q5(E) | 11'-8 3/4" | 3'-6" | 11'-9 1/4" | 1'-6 7/8" | 11'-10" | 12'-0" | 2'-4" |
| q29(E) | 10'-9" | 3'-6" | 10'-9" | 2'-5 1/8" | 11'-0" | 11'-0" | 1'-11 5/8" |

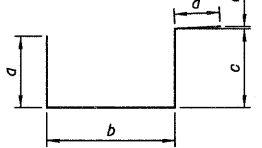


m(E) BAR



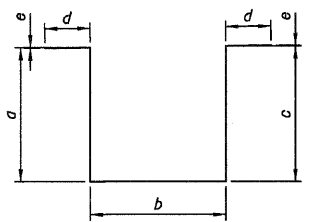
s(E) BARS

| Bar | a | b | c |
|-------|--------|-------|--------|
| s(E) | 1'-11" | 9" | 4 1/2" |
| s1(E) | 1'-11" | 1'-4" | 4 1/2" |



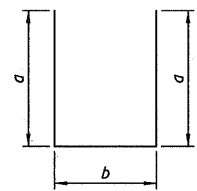
s(E) BARS

| Bar | a | b | c | d | e |
|-------|--------|--------|-------|-------|------|
| s2(E) | 1'-7" | 2'-10" | 1'-9" | 1'-0" | 1/2" |
| s3(E) | 1'-11" | 2'-10" | 2'-1" | 1'-0" | 1/2" |



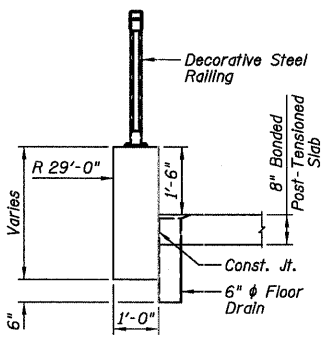
s(E) BARS

| Bar | a | b | c | d | e |
|-------|-----------|-------|-----------|-------|------|
| s4(E) | 2'-5 1/2" | 3'-0" | 2'-6 1/2" | 1'-0" | 3/8" |
| s5(E) | 2'-11" | 3'-0" | 3'-0" | 1'-0" | 1/8" |
| s6(E) | 3'-0" | 3'-0" | 3'-0" | 1'-0" | 1/8" |
| s7(E) | 2'-8 1/2" | 3'-0" | 2'-9 1/2" | 1'-0" | 1/4" |

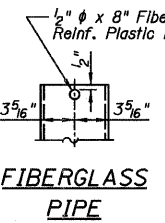


u(E) BARS

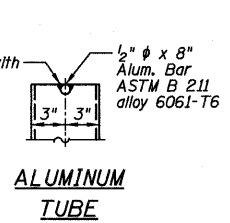
| Bar | a | b |
|-------|--------|-------|
| u(E) | 2'-6" | 9" |
| u1(E) | 2'-10" | 9" |
| u2(E) | 3'-1" | 9" |
| u3(E) | 3'-0" | 9" |
| u4(E) | 2'-11" | 9" |
| u5(E) | 2'-9" | 9" |
| u6(E) | 3'-0" | 3'-3" |
| u7(E) | 3'-0" | 2'-6" |
| u8(E) | 1'-6" | 5" |



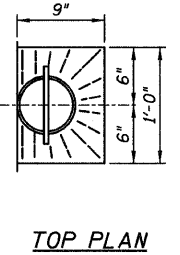
FLOOR DRAIN DETAIL



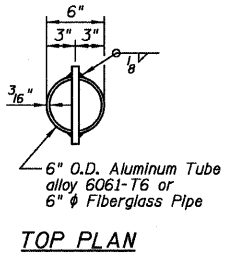
FIBERGLASS PIPE



ALUMINUM TUBE



TOP PLAN



TOP PLAN

(Showing Aluminum Tube)

SUPERSTRUCTURE
BILL OF MATERIAL

| Bar | No. | Size | Length | Shape |
|----------------------------------|---------|----------|---------|-------|
| a(E) | 146 | #6 | 13'-8" | U |
| a1(E) | 10 | #5 | 13'-10" | U |
| a2(E) | 26 | #5 | 20'-3" | U |
| b(E) | 60 | #5 | 25'-8" | U |
| b1(E) | 6 | #4 | 37'-8" | U |
| b2(E) | 4 | #4 | 35'-6" | U |
| b3(E) | 2 | #4 | 31'-3" | U |
| b4(E) | 2 | #4 | 26'-3" | U |
| b5(E) | 2 | #4 | 19'-8" | U |
| b6(E) | 4 | #4 | 38'-0" | U |
| g(E) | 12 | #8 | 21'-6" | U |
| g1(E) | 12 | #8 | 39'-6" | U |
| g2(E) | 12 | #8 | 22'-10" | U |
| g3(E) | 24 | #8 | 38'-9" | U |
| g4(E) | 4 | #5 | 12'-3" | U |
| g5(E) | 4 | #5 | 27'-4" | U |
| g6(E) | 6 | #5 | 16'-4" | U |
| g7(E) | 4 | #7 | 8'-5" | U |
| g8(E) | 4 | #7 | 8'-0" | U |
| g9(E) | 4 | #7 | 7'-7" | U |
| g10(E) | 4 | #7 | 9'-5" | U |
| g11(E) | 4 | #7 | 9'-0" | U |
| g12(E) | 4 | #7 | 8'-7" | U |
| g13(E) | 4 | #7 | 8'-7" | U |
| g14(E) | 4 | #7 | 8'-3" | U |
| g15(E) | 4 | #7 | 8'-1" | U |
| g16(E) | 4 | #7 | 9'-5" | U |
| g17(E) | 4 | #7 | 9'-0" | U |
| g18(E) | 4 | #7 | 8'-10" | U |
| g19(E) | 8 | #7 | 8'-7" | U |
| g20(E) | 8 | #7 | 8'-11" | U |
| g21(E) | 8 | #7 | 9'-1" | U |
| g22(E) | 8 | #7 | 7'-7" | U |
| g23(E) | 8 | #7 | 7'-11" | U |
| g24(E) | 8 | #7 | 8'-1" | U |
| g25(E) | 4 | #8 | 31'-4" | U |
| g26(E) | 4 | #8 | 31'-6" | U |
| g27(E) | 4 | #8 | 32'-2" | U |
| g28(E) | 6 | #5 | 15'-4" | U |
| g29(E) | 4 | #5 | 25'-6" | U |
| g30(E) | 4 | #5 | 13'-4" | U |
| m(E) | 38 | #6 | 13'-8" | U |
| s(E) | 132 | #4 | 6'-1" | U |
| s1(E) | 84 | #4 | 7'-3" | U |
| s2(E) | 7 | #5 | 7'-2" | U |
| s3(E) | 7 | #5 | 7'-10" | U |
| s4(E) | 7 | #5 | 10'-0" | U |
| s5(E) | 7 | #5 | 10'-11" | U |
| s6(E) | 7 | #5 | 11'-0" | U |
| s7(E) | 7 | #5 | 10'-6" | U |
| u(E) | 28 | #4 | 5'-9" | U |
| u1(E) | 80 | #4 | 6'-5" | U |
| u2(E) | 84 | #4 | 6'-11" | U |
| u3(E) | 140 | #4 | 6'-9" | U |
| u4(E) | 36 | #4 | 6'-7" | U |
| u5(E) | 32 | #4 | 6'-3" | U |
| u6(E) | 32 | #4 | 9'-3" | U |
| u7(E) | 16 | #4 | 8'-6" | U |
| u8(E) | 220 | #3 | 3'-5" | U |
| v(E) | 12 | #5 | 7'-4" | U |
| v1(E) | 12 | #5 | 8'-1" | U |
| v2(E) | 32 | #7 | 8'-7" | U |
| v3(E) | 12 | #5 | 8'-5" | U |
| v4(E) | 12 | #5 | 7'-8" | U |
| Item | Unit | Quantity | | |
| Concrete Superstructure | Cu. Yd. | 121.5 | | |
| Reinforcement Bars, Epoxy Coated | Pound | 19,530 | | |

* Additional length provided to allow for the curvature of girder. Cut and bend in field as required.

NOTES:

- 1) Drains shall be located clear of all diaphragms.
- 2) The exterior surfaces of the floor drains shall be painted with the finish coat as specified in the special provisions for Cleaning and Painting New Metal Structures. The exterior surfaces of the drains shall be cleaned according to the Society of Protective Coatings Spec. SSPC-SPI prior to painting.
- 3) Fiberglass pipe shall conform to ASTM D 2996, with short-time rupture strength hoop tensile stress of 30,000 p.s.i. minimum.
- 4) Galvanize clamping device according to AASHTO M232. Cost of clamping device and inserts is included with Floor Drains.



| | |
|--------------------|---------|
| DESIGNED - JML/JCZ | REVISED |
| CHECKED - JML | REVISED |
| DRAWN - DJM | REVISED |
| CHECKED - MSW | REVISED |
| DATE - 10/17/11 | |

GENEVA PARK DISTRICT
GENEVA, ILLINOIS

SUPERSTRUCTURE DETAILS
ISLAND PARK NORTH BRIDGE

SHEET NO. B14 OF 31 SHEETS

| F.A. RTE. | SECTION | COUNTY | TOTAL SHEETS | SHEET NO. |
|--------------------|----------------|--------|---------------------------|-----------|
| N/A | 06-P4005-00-BR | KANE | 42 | 23 |
| CONTRACT NO. 63643 | | | ILLINOIS FED. AID PROJECT | |