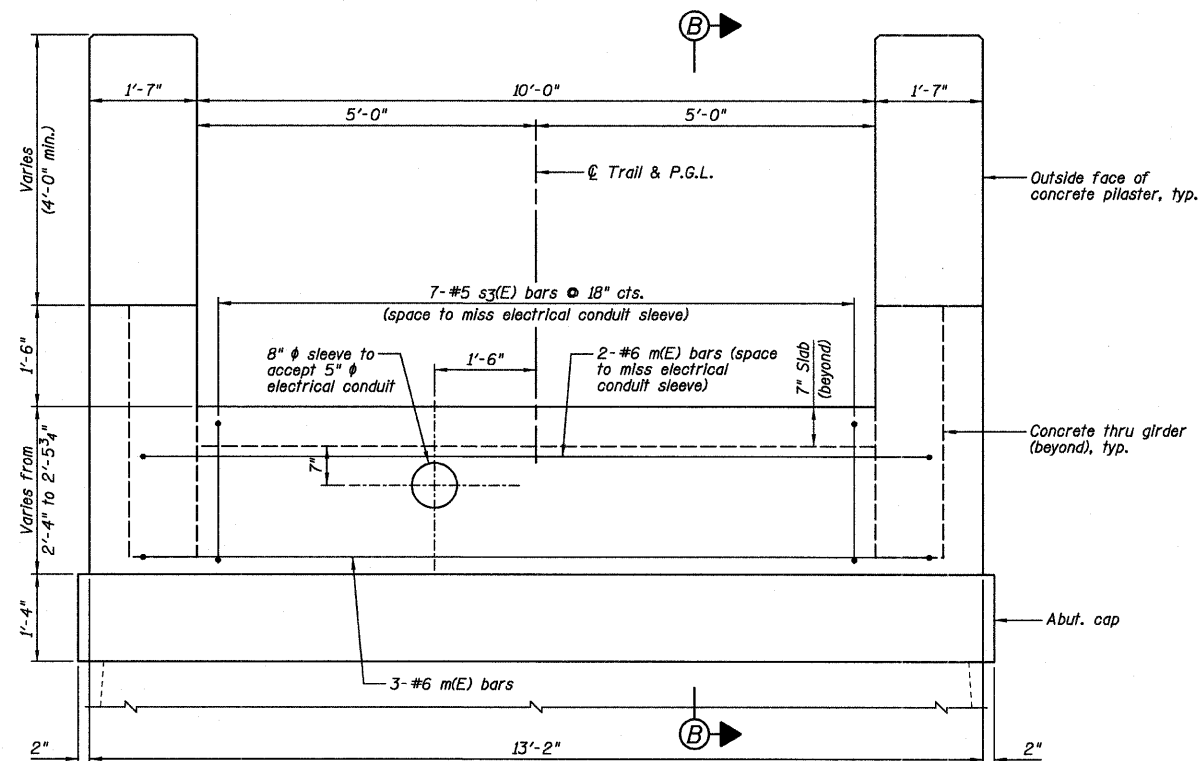
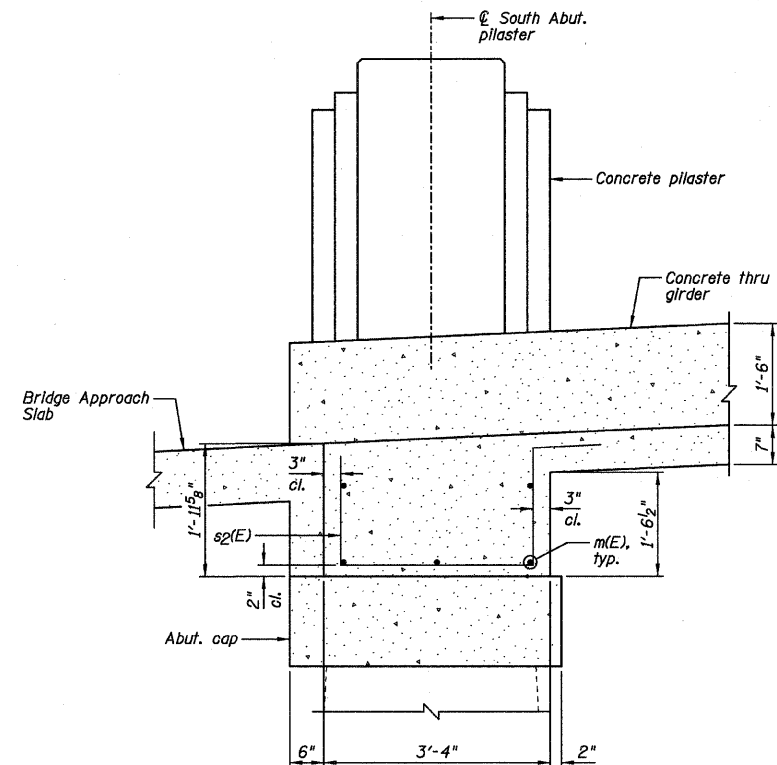


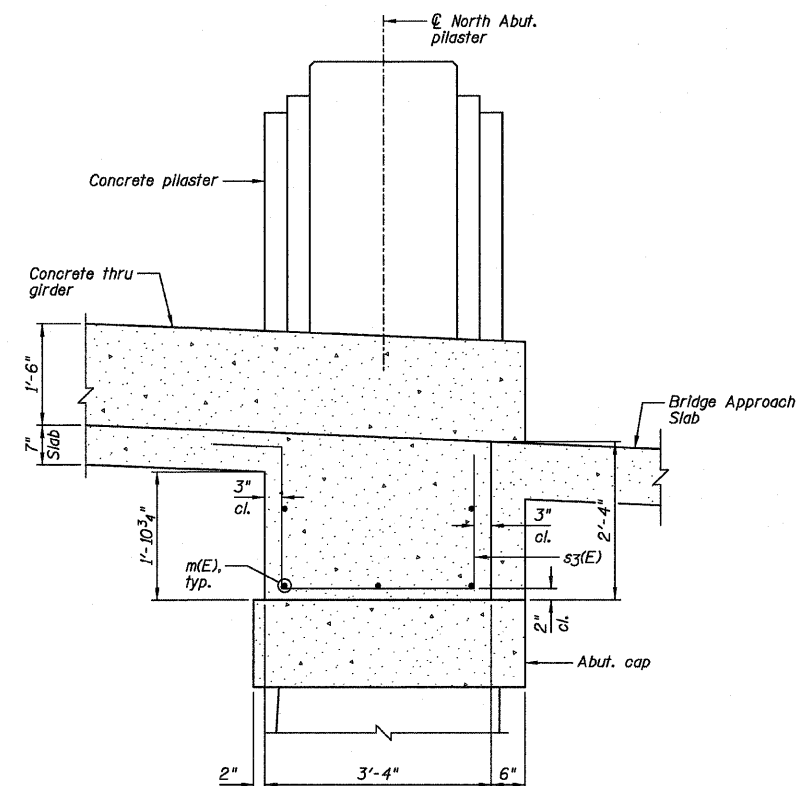
DIAPHRAGM @ SOUTH ABUTMENT
 (Looking South)
 (Slab reinforcement not shown for clarity.)



DIAPHRAGM @ NORTH ABUTMENT
 (Looking North)
 (Slab reinforcement not shown for clarity.)



SECTION A-A
 Slab reinforcement not shown for clarity.



SECTION B-B
 Slab reinforcement not shown for clarity.

NOTES:

- 1.) See Sheet B14 for Superstructure Details and Bill of Material.
- 2.) 5" diameter electrical conduit to be grouted by others after installation is complete.

Farnsworth
 GROUP, INC.
 2709 McGraw Drive
 Bloomington, Illinois 61704
 309/663-8435, 309/663-1571 fax

DESIGNED - JML/JCZ
 CHECKED - JML
 DRAWN - DJM
 CHECKED - MSW
 DATE - 10/17/11

REVISED
 REVISED
 REVISED
 REVISED

GENEVA PARK DISTRICT
GENEVA, ILLINOIS

Post-Tensioned
 tendons

DIAPHRAGM DETAILS
ISLAND PARK NORTH BRIDGE

SHEET NO. B15 OF 31 SHEETS

F.A. RTE.	SECTION	COUNTY	TOTAL SHEETS	SHEET NO.
N/A	06-P4005-00-BR	KANE	42	24

CONTRACT NO. 63643

ILLINOIS FED. AID PROJECT