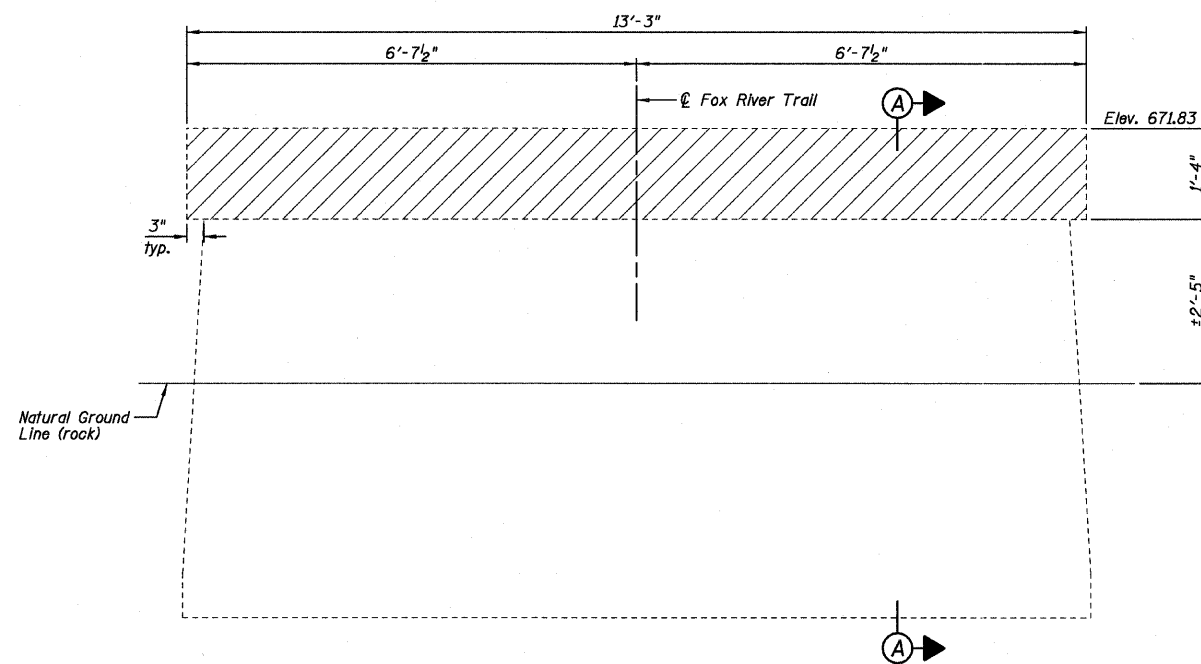


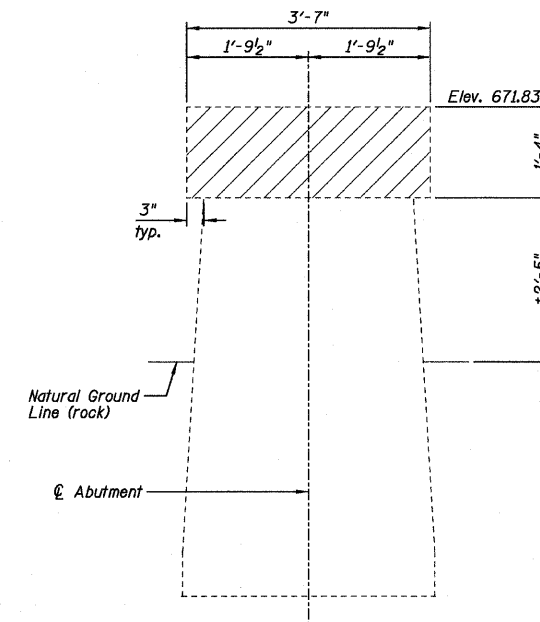
TOP PLAN VIEW



ELEVATION VIEW
(Looking South)

BILL OF MATERIAL

ITEM	UNIT	Total
Concrete Removal	Cu. Yd.	2.3



SECTION A-A

LEGEND

Concrete Removal

Farnsworth
GROUP, INC.
2709 McGraw Drive
Bloomington, Illinois 61704
308/663-8435, 309/663-1571 fax

DATE - 10/17/11

DESIGNED - JML/JCZ	REVISED
CHECKED - JML	REVISED
DRAWN - DJM	REVISED
CHECKED - MSW	REVISED

**GENEVA PARK DISTRICT
GENEVA, ILLINOIS**

**SOUTH ABUTMENT REMOVAL
ISLAND PARK NORTH BRIDGE**

SHEET NO. B20 OF 31 SHEETS

F.A. RTE. N/A	SECTION 06-P4005-00-BR	COUNTY KANE	TOTAL SHEETS 42	SHEET NO. 29
CONTRACT NO. 63643				
ILLINOIS FED. AID PROJECT				