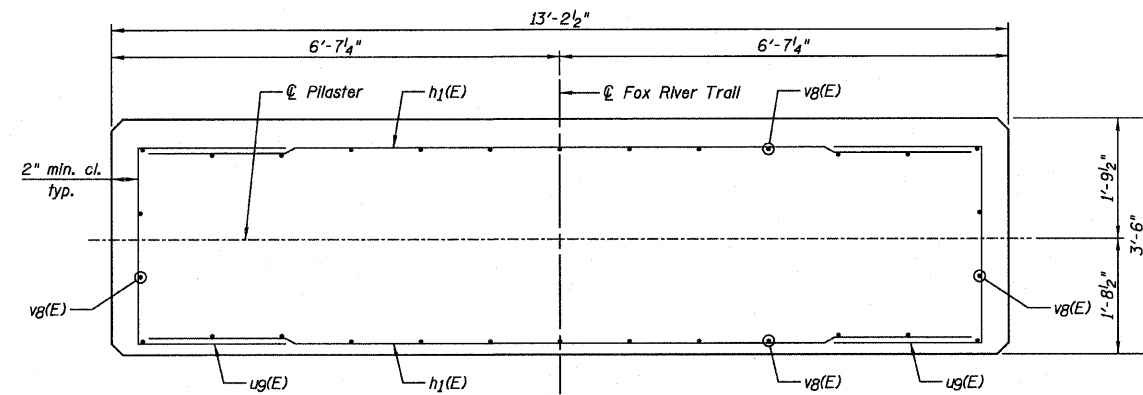


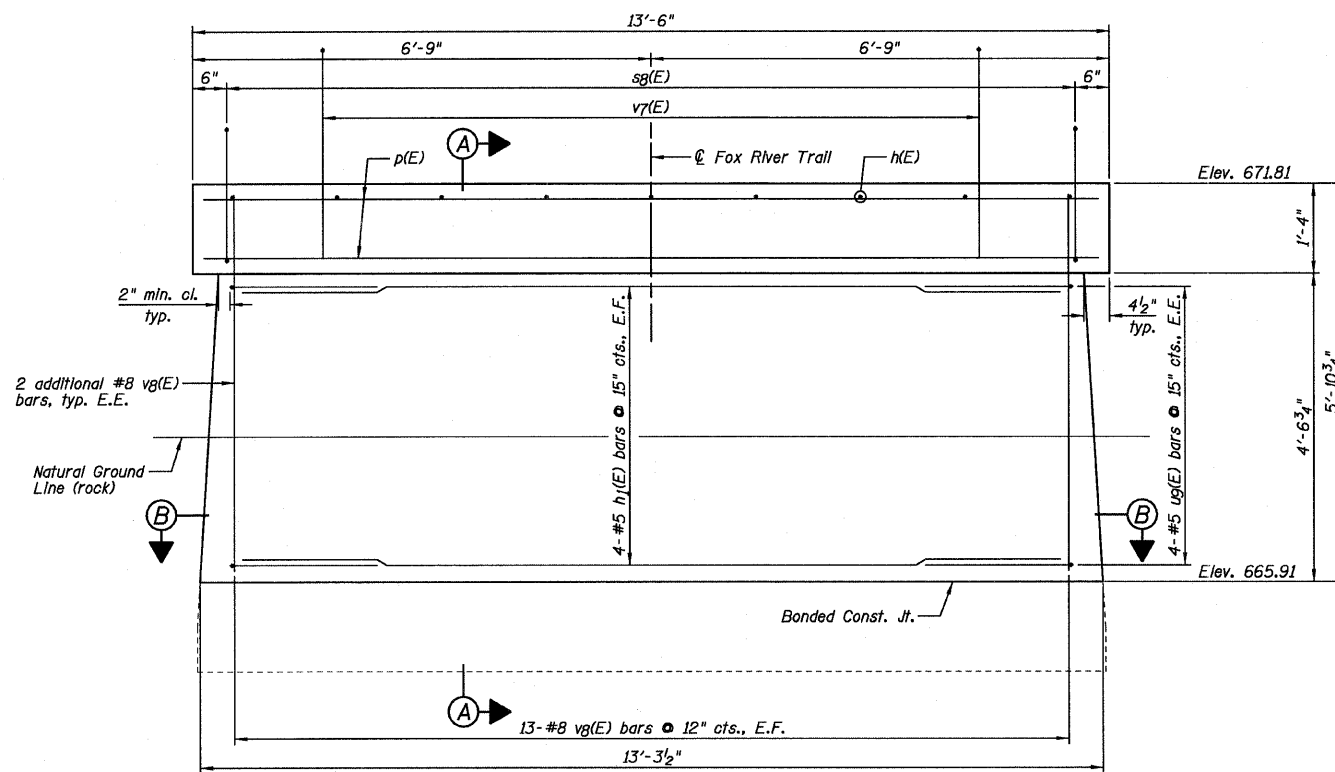
TOP PLAN VIEW



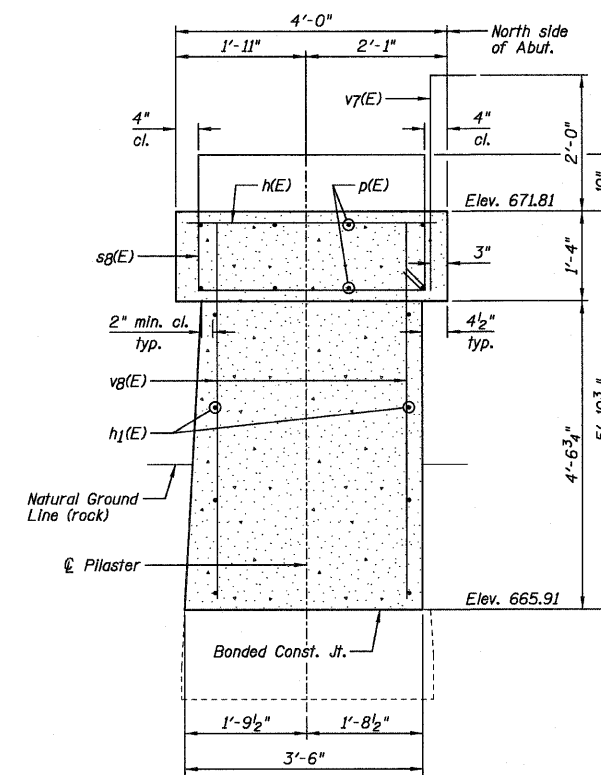
SECTION B-B

NORTH ABUTMENT
BILL OF MATERIAL

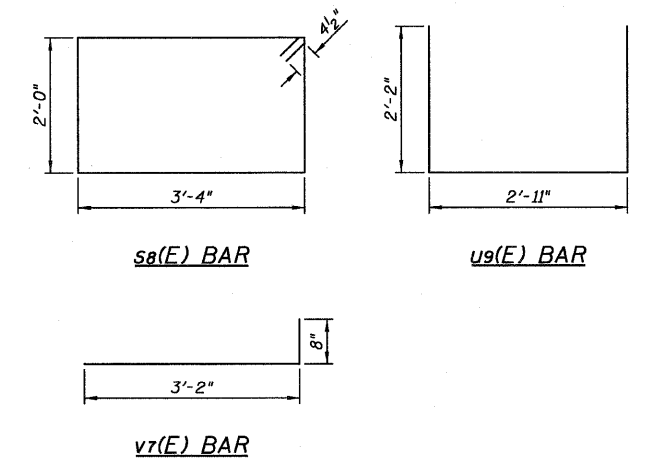
Bar	No.	Size	Length	Shape
h(E)	9	#4	3'-8"	—
h1(E)	8	#5	12'-5"	—
p(E)	8	#7	13'-2"	—
sg(E)	9	#4	11'-5"	□
ug(E)	8	#5	7'-3"	—
v7(E)	11	#5	3'-10"	—
v8(E)	30	#8	5'-5"	—
Item	Unit	Quantity		
Stone Riprap, Class A4	Sq. Yd.	5		
Structure Excavation	Cu. Yd.	14		
Rock Excavation For Structures	Cu. Yd.	7		
Concrete Structures	Cu. Yd.	10.2		
Reinforcement Bars, Epoxy Coated	Pound	950		
Geocomposite Wall Drain	Sq. Yd.	8		
Pipe Underdrains For Structures 4"	Foot	22		
Porous Granular Embankment, Special	Cu. Yd.	14		



ELEVATION
(Looking North)



SECTION A-A



NOTE:

E.F. denotes Each Face and E.E. denotes Each End.

Farnsworth
GROUP, INC.
2709 McGraw Drive
Bloomington, Illinois 61704
309/663-8435, 309/663-1571 fax

DESIGNED - JML/JCZ
CHECKED - JML
DRAWN - DJM
DATE - 10/17/11

REVISOR
REVISOR
REVISOR
REVISOR

GENEVA PARK DISTRICT
GENEVA, ILLINOIS

NORTH ABUTMENT REPLACEMENT
ISLAND PARK NORTH BRIDGE

SHEET NO. B23 OF 31 SHEETS

F.A. RTE.	SECTION	COUNTY	TOTAL SHEETS	SHEET NO.
N/A	06-P4005-00-BR	KANE	42	32
CONTRACT NO. 63643				

ILLINOIS FED. AID PROJECT