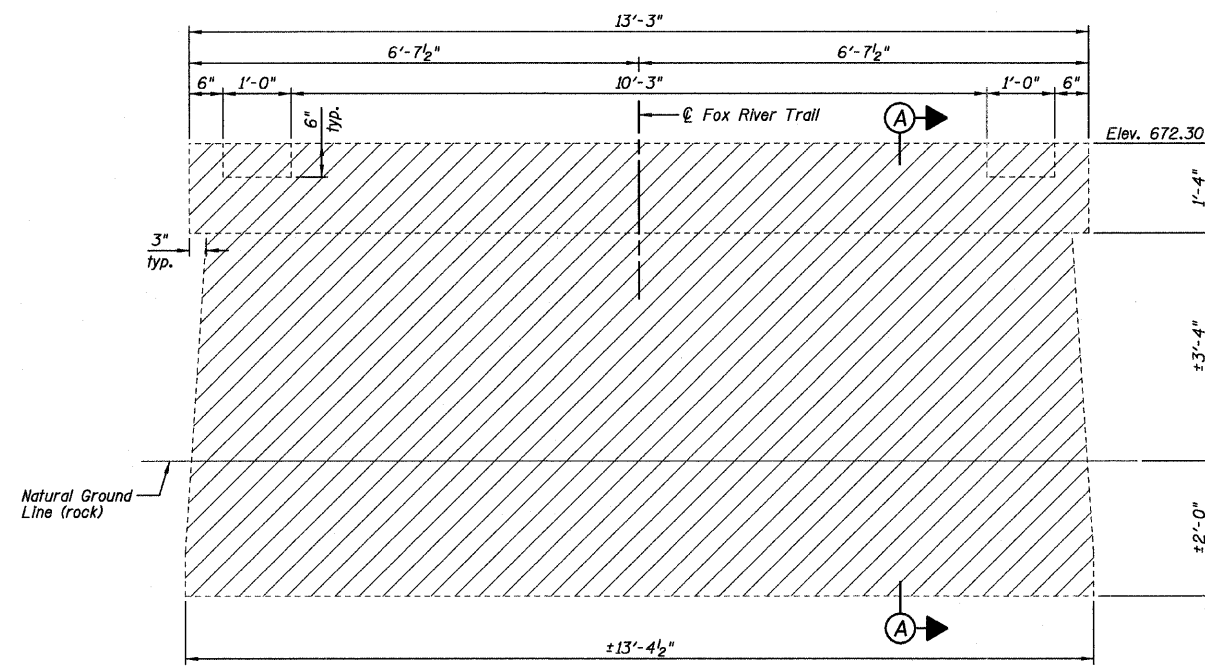


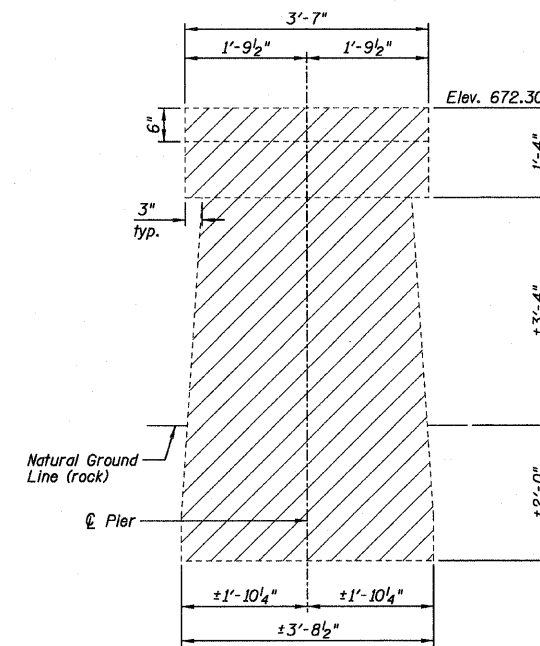
TOP PLAN VIEW



ELEVATION VIEW
(Looking North)

BILL OF MATERIAL

ITEM	UNIT	Total
Concrete Removal	Cu. Yd.	11.2



SECTION A-A

LEGEND
 Concrete Removal

Farnsworth
 GROUP, INC.
 2709 McGraw Drive
 Bloomington, Illinois 61704
 309/963-8436, 309/963-1571 fax

DATE - 10/17/11

DESIGNED - JML/JCZ	REVISED
CHECKED - JML	REVISED
DRAWN - DJM	REVISED
CHECKED - MSW	REVISED

GENEVA PARK DISTRICT
GENEVA, ILLINOIS

PIER NO. 1 REMOVAL
ISLAND PARK NORTH BRIDGE

SHEET NO. B24 OF 31 SHEETS

F.A. RTE. N/A	SECTION 06-P4005-00-BR	COUNTY KANE	TOTAL SHEETS 42	SHEET NO. 33
CONTRACT NO. 63643				
ILLINOIS FED. AID PROJECT				