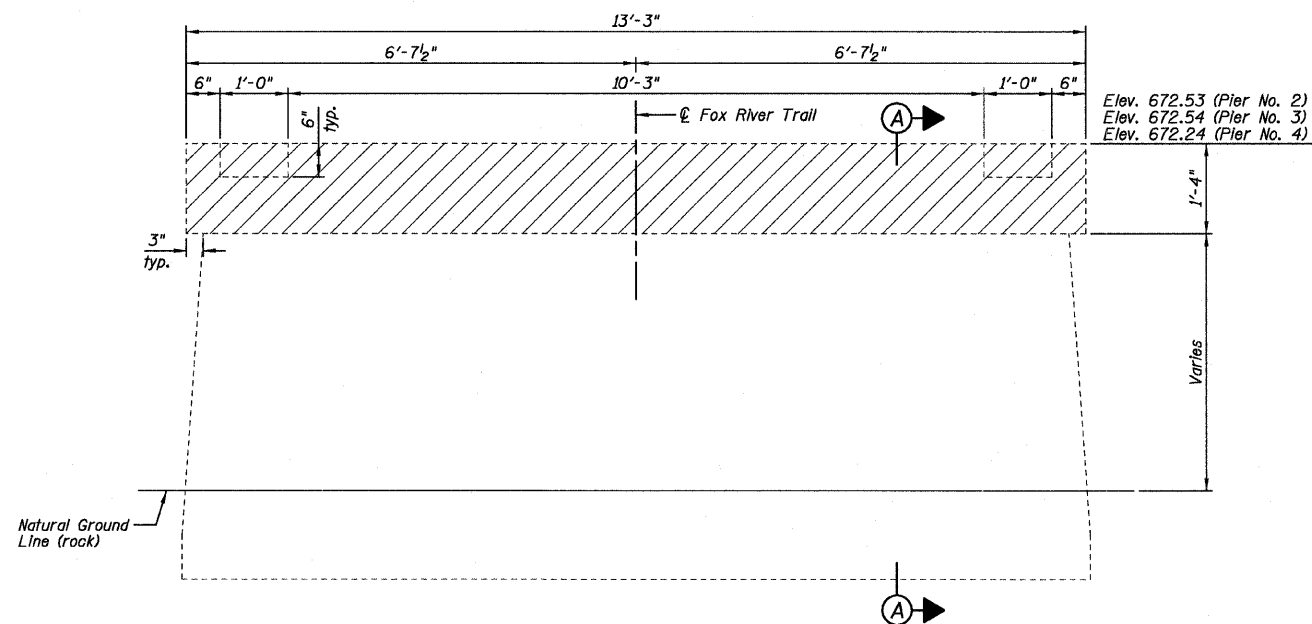


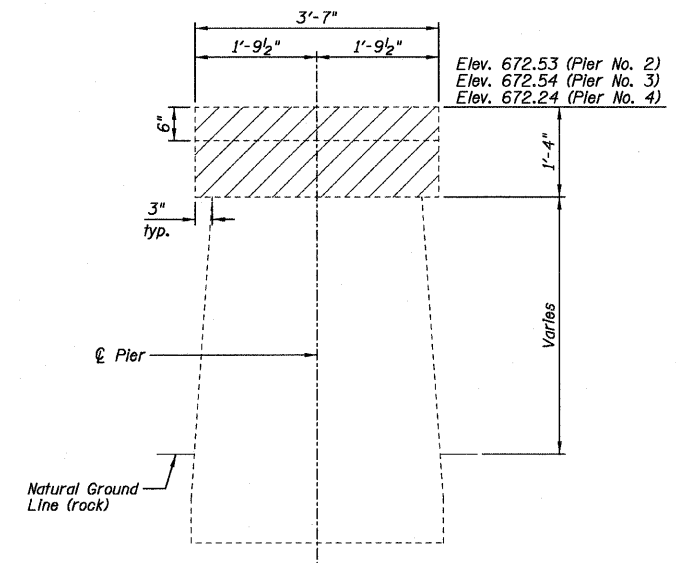
TOP PLAN VIEW



ELEVATION VIEW  
(Looking North)

**BILL OF MATERIAL**

ITEM	UNIT	Total
Concrete Removal	Cu. Yd.	2.3



SECTION A-A

**LEGEND**

Concrete Removal

**Farnsworth GROUP, INC.**  
2709 McGraw Drive  
Bloomington, Illinois 61704  
309/963-8435, 309/963-1571 fax

DESIGNED - JML/JCZ	REVISED
CHECKED - JML	REVISED
DRAWN - DJM	REVISED
CHECKED - MSW	REVISED
DATE - 10/17/11	

**GENEVA PARK DISTRICT  
GENEVA, ILLINOIS**

**PIER NO. 2 THRU PIER NO. 4 REMOVAL  
ISLAND PARK NORTH BRIDGE**

SHEET NO. B26 OF 31 SHEETS

F.A. RTE.	SECTION	COUNTY	TOTAL SHEETS	SHEET NO.
N/A	06-P4005-00-BR	KANE	42	35
CONTRACT NO. 63643				
ILLINOIS FED. AID PROJECT				