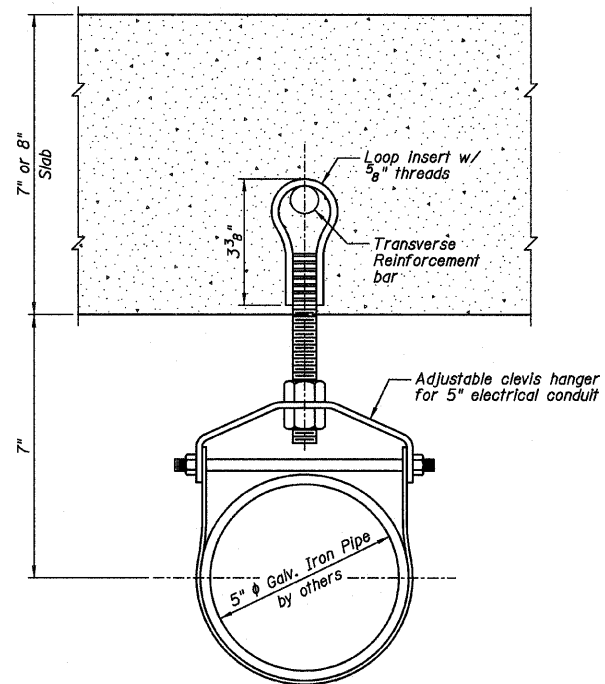
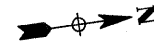


PLAN



HANGER SUPPORT DETAIL

BILL OF MATERIAL

Item	Unit	Quantity
Pipe Support	Each	31

NOTE:

See the "Diaphragm Details" for the 8" formed openings thru the concrete diaphragms.

Farnsworth
GROUP, INC.
2709 McGraw Drive
Bloomington, Illinois 61704
309/863-8435, 309/863-1571 fax

DESIGNED - JML/JCZ
CHECKED - JML
DRAWN - DJM
DATE - 10/17/11

REVISOR
REVISION
REVISION
REVISION

GENEVA PARK DISTRICT
GENEVA, ILLINOIS

ELECTRICAL CONDUIT DETAILS
ISLAND PARK NORTH BRIDGE

SHEET NO. B28 OF 31 SHEETS

F.A. RTE.	SECTION	COUNTY	TOTAL SHEETS	SHEET NO.
N/A	06-P4005-00-BR	KANE	42	37
CONTRACT NO. 63643				
ILLINOIS FED. AID PROJECT				