

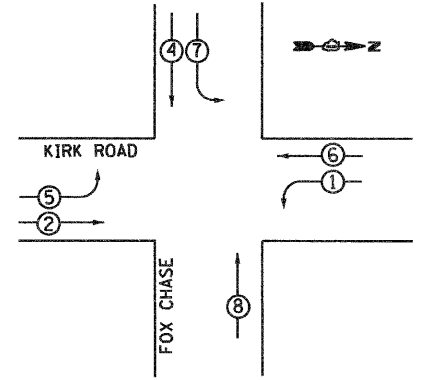
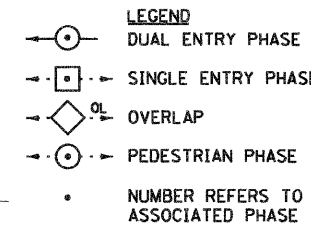
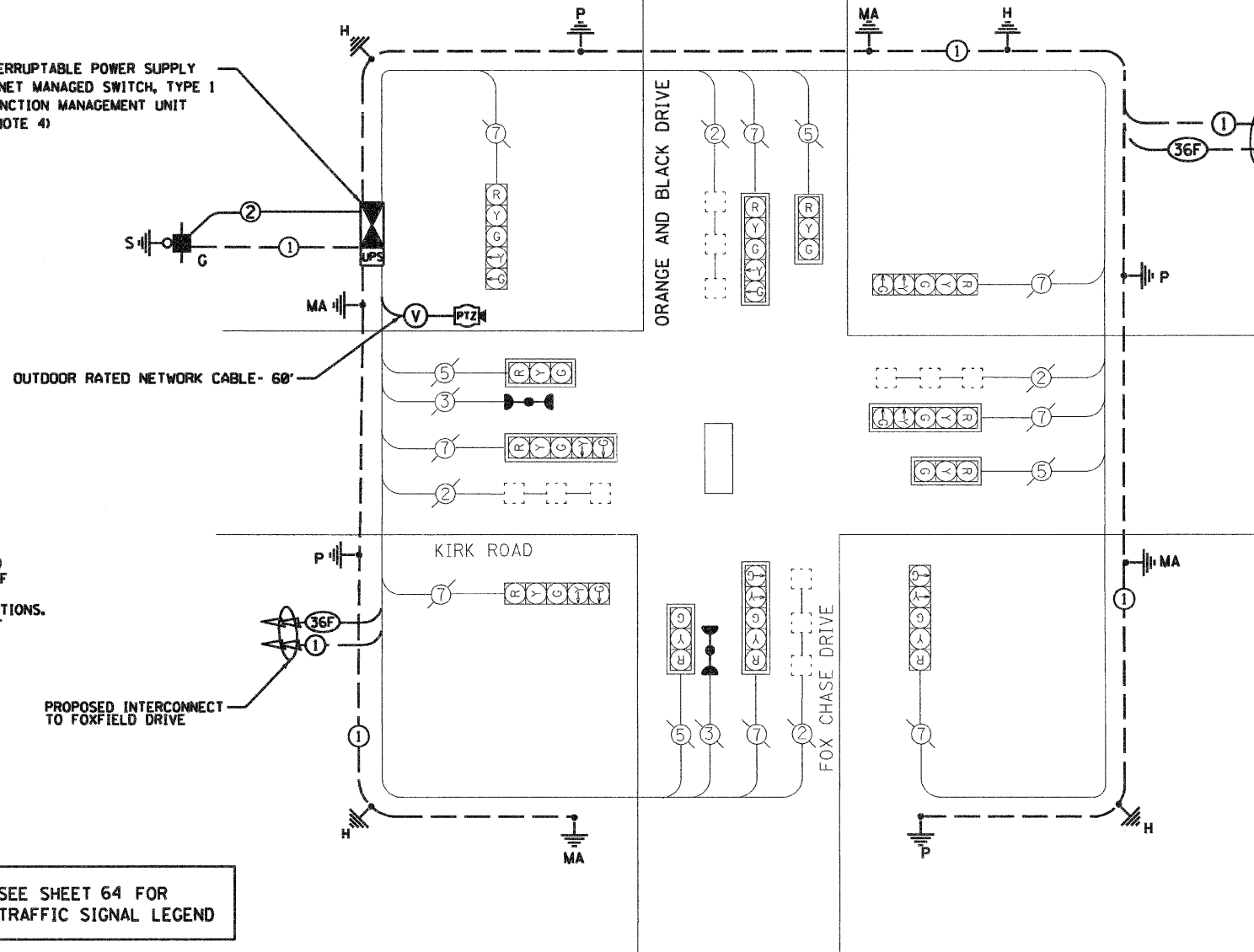
UNINTERRUPTIBLE POWER SUPPLY
ETHERNET MANAGED SWITCH, TYPE I
MALFUNCTION MANAGEMENT UNIT
(SEE NOTE 4)

OUTDOOR RATED NETWORK CABLE - 60'

NOTES:

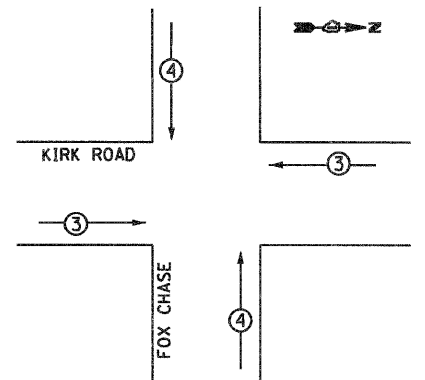
1. NEW ELEMENTS SHOWN IN BOLD.
2. 36F IS FIBER OPTIC CABLE SM 36F
3. CABLE PLAN IS AN APPROXIMATE REPRESENTATION OF ACTUAL CONDITIONS. CONTRACTOR MUST VERIFY CONDUIT LOCATION AND CONDITION.
4. MALFUNCTION MANAGEMENT UNIT TO BE PAID FOR UNDER FULL-ACTUATED CONTROLLER AND TYPE IV CABINET

SEE SHEET 64 FOR TRAFFIC SIGNAL LEGEND



EMERGENCY VEHICLE PREEMPTION SEQUENCE NOTES FOR DUAL ENTRY OPERATION - ALL LEGS

OVERLAP LETTER	PERMISSIVE PHASE	PROTECTED PHASE
B	4	5
C	8	7



PROPOSED EMERGENCY VEHICLE PREEMPTORS

EMERGENCY VEHICLE PREEMPTOR	3	4
MOVEMENT	← →	↑ ↓

SCHEDULE OF QUANTITIES - KIRK RD. AND FOX CHASE DRIVE

PAY ITEM	UNIT	QUANTITY
EARTH EXCAVATION	CU YD	2
PORTLAND CEMENT CONCRETE SIDEWALK 5 INCH	SQ FT	23.2
CONDUIT IN TRENCH, 2" DIA., GALVANIZED STEEL	FOOT	10
TRENCH AND BACKFILL FOR ELECTRICAL WORK	FOOT	10
MAINTAIN EXISTING TRAFFIC SIGNAL INSTALLATION	EACH	1
FULL-ACTUATED CONTROLLER AND TYPE IV CABINET	EACH	1
ELECTRIC CABLE IN CONDUIT, SERVICE, NO. 6 2C	FOOT	25
CONCRETE FOUNDATION, TYPE A	FOOT	4
DRILL EXISTING HANDHOLE	EACH	1
REMOVE EXISTING TRAFFIC SIGNAL EQUIPMENT	EACH	1
SERVICE INSTALLATION-GROUND MOUNTED	EACH	1
GROUNDING EXISTING HANDHOLE FRAME AND COVER	EACH	4
UNINTERRUPTIBLE POWER SUPPLY, STANDARD	EACH	1
ELECTRIC CABLE IN CONDUIT, EQUIPMENT GROUNDING CONDUCTOR, NO. 6 1C	FOOT	400
INTERSECTION VIDEO TRAFFIC MONITORING SYSTEM WITH PTZ CAMERA	EACH	1
OUTDOOR RATED NETWORK CABLE	FOOT	60
ETHERNET MANAGED SWITCH, TYPE I	EACH	1
RE-OPTIMIZE TRAFFIC SIGNAL SYSTEM, LEVEL 2	EACH	1
CONFIRMATION BEACON	EACH	4

I.D.O.T. TRAFFIC SIGNAL INSTALLATION ELECTRICAL SERVICE REQUIREMENTS

TYPE	NO. OF LAMPS	WATTAGE INCAND.	WATTAGE LED	% OPERATION	TOTAL WATTAGE
SIGNAL (RED)	10	17	0.50		85
(YELLOW)	10	25	0.25		62.5
(GREEN)	10	15	0.25		62.5
ARROW	10	12	0.10		12
PED. SIGNAL	2	25	1.0		50
CONTROLLER	0	100	1.0		0
ILLUM. SIGN	0	25	1.0		0
FLASHER	0	-	-		0
TOTAL					272

ENERGY COST TO : KANE COUNTY DIVISION OF TRANSPORTATION
41 W011 BURLINGTON ROAD
ST. CHARLES, ILLINOIS 60175

ENERGY SUPPLY CONTACT: JENNIFER HILKEMAN
PHONE: (630) 232-1503
COMPANY: CITY OF GENEVA

FOUNDATION (DEPTH)	(FT.)	CABLE SLACK	(FT.)	VERTICAL	(FT.)
TYPE A - POST	4	HANDHOLE	6.5	ALL FOUNDATIONS	3.5
C - CONTROLLER W/LUPS	4	DOUBLE HANDHOLE	13	MAST ARM (L) POLE	20'-H-2 =
D - CONTROLLER	4	SIGNAL POST	2	BRACKET MOUNTED	13
E - MAST ARM POLE		CONTROLLER CAB.	1	PED. PUSHBUTTON	6
30"	15	FIBER OPTIC	13	ELECTRIC SERVICE	13.5
36"	15	ELECTRIC SERVICE	1	SERVICE TO GROUND	13.5
42"	25	GROUND CABLE	1	POST MOUNTED	6

JACOBS
ONE NORTH FRANKLIN
CHICAGO IL, 60606
312-251-3000

USER NAME =	DESIGNED - CH	REVISED -
PLOT SCALE =	DRAWN - MO, DI	REVISED -
PLOT DATE = 11/7/2011	CHECKED - KG	REVISED -
	DATE - #DATE	REVISED -

KANE COUNTY DIVISION OF TRANSPORTATION

CABLE PLAN, PHASE DESIGNATION DIAGRAM, AND SCHEDULE OF QUANTITIES
KIRK ROAD AND FOX CHASE DRIVE

SCALE: SHEET NO. OF SHEETS STA. TO STA.

F.A.P. RTE. 360	SECTION 10-00403-00-TL	COUNTY KANE	TOTAL SHEETS 72	SHEET NO. 30
CONTRACT NO. 63648				
FED. ROAD DIST. NO. (ILLINOIS) FED. AID PROJECT				