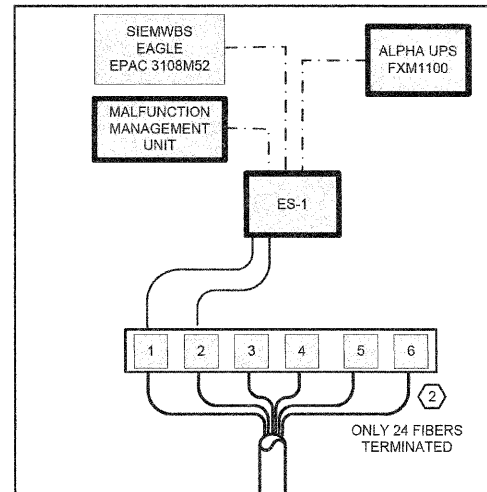
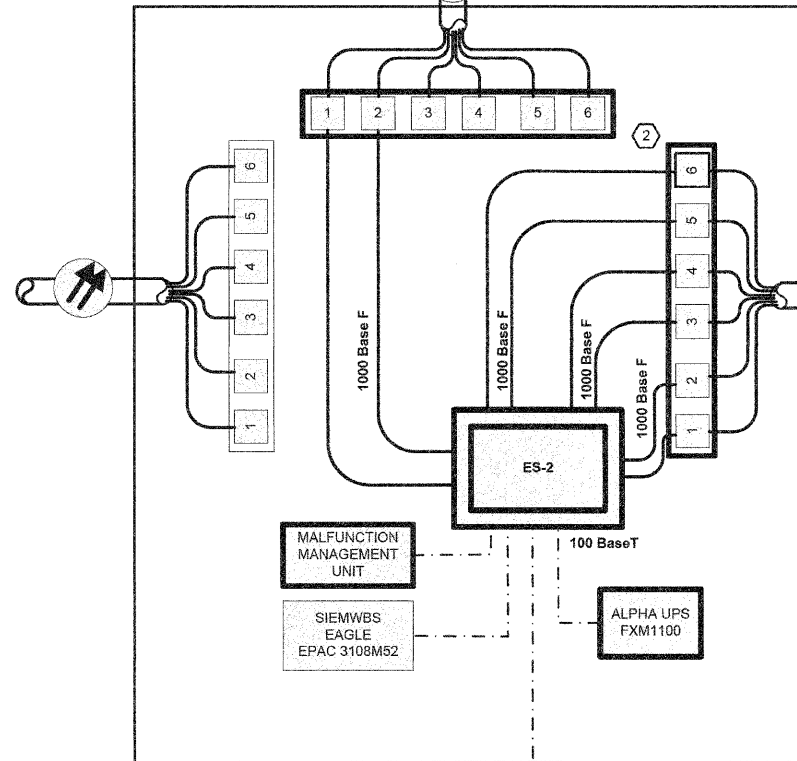
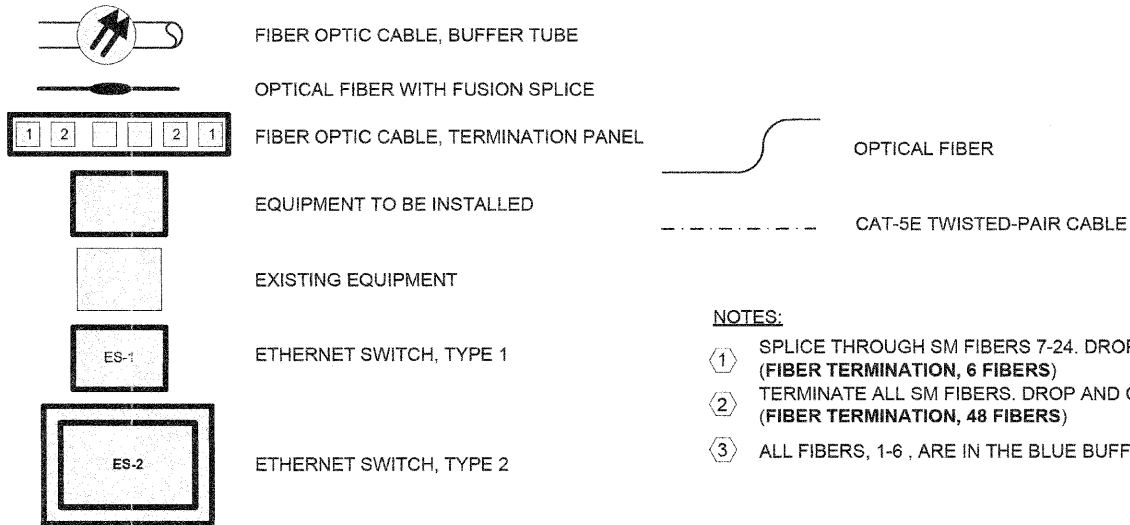


KIRK ROAD & CHURCH ROAD

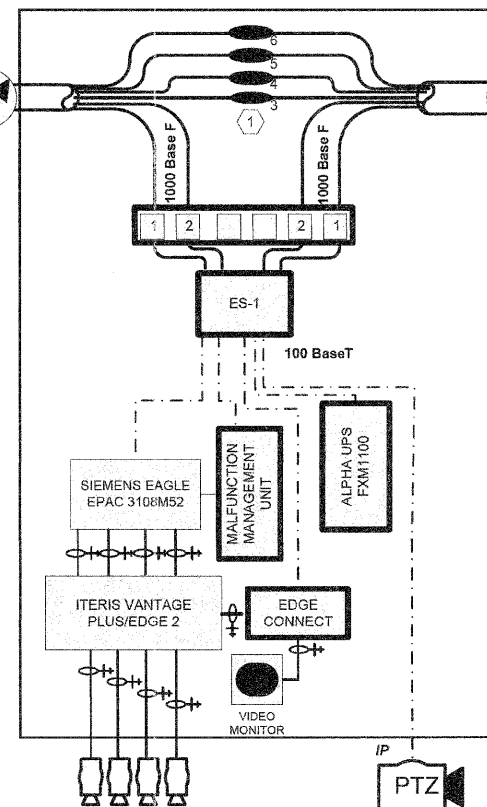


LEGEND

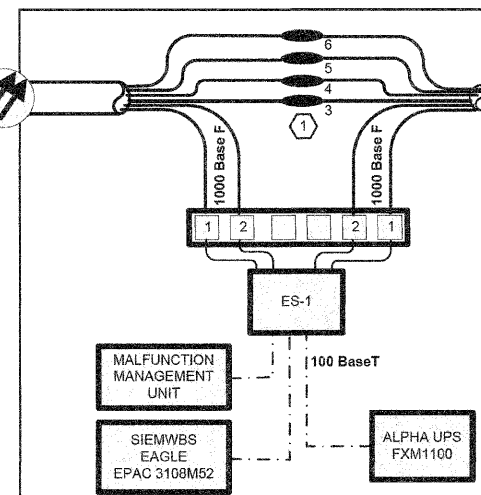


KIRK ROAD & IL ROUTE 56 (BUTTERFIELD ROAD)

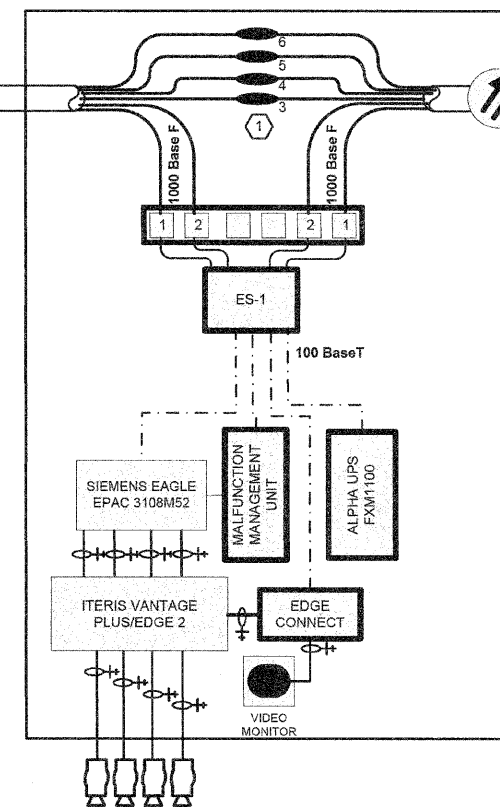
KIRK ROAD & MESA LANE



KIRK ROAD & WIND ENERGY PASS



KIRK ROAD & PINE STREET



USER NAME =	DESIGNED - CH	REVISED -
PLOT SCALE =	DRAWN - MO, DI	REVISED -
PLOT DATE = 10/24/2011	CHECKED - KC	REVISED -
	DATE - #DATE	REVISED -

F.A.P. RTE. 360	SECTION 10-00403-00-TL	COUNTY KANE	TOTAL SHEETS 72	SHEET NO. 66
CONTRACT NO. 63648				
FED. ROAD DIST. NO. ILLINOIS FED. AID PROJECT				