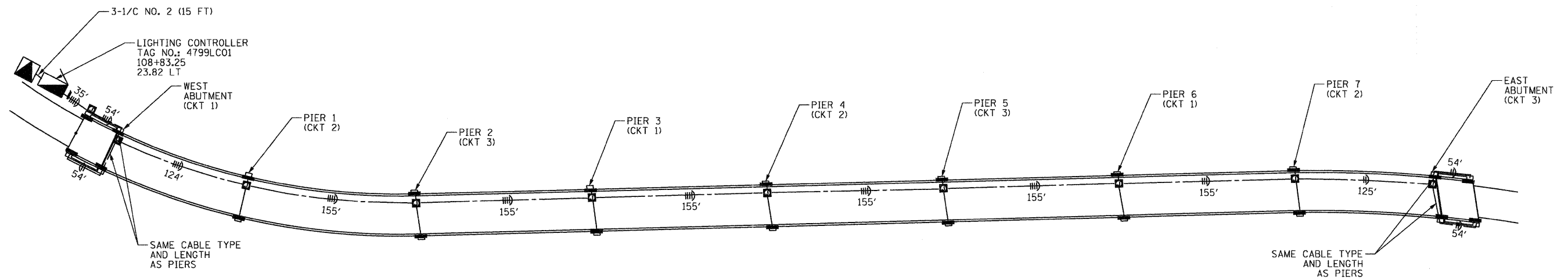




LEGEND (THIS SHEET ONLY)

- UTILITY TRANSFORMER, PAD MOUNTED, 120/240V SINGLE PHASE
- JUNCTION BOX, STAINLESS STEEL
- LED LUMINAIRE, 20 WATT
- LIGHTING CONTROLLER, BASE MOUNTED, 240 VOLT, 100AMP, SEE SHEET 418 FOR DETAILS
- 2-1/C, NO. 6 W/ 1-1/C NO. 8 GROUND (GREEN) PULLED IN CONDUIT, UNLESS OTHERWISE NOTED
- 3-1/C, NO. 6 W/ 1-1/C NO. 8 GROUND (GREEN) PULLED IN CONDUIT
- 4-1/C, NO. 6 W/ 1-1/C NO. 8 GROUND (GREEN) PULLED IN CONDUIT



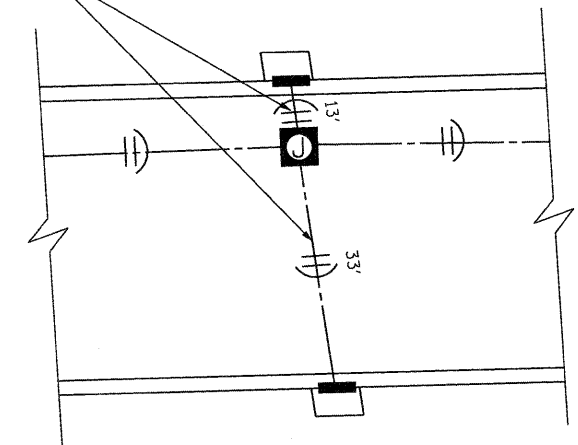
CABLE PLAN

SCALE: NONE

CONTROLLER LOAD TABLE

CONTROLLER 4799LC01					
CKT 1	WATT	AMP	CKT 2	WATT	AMP
1	600	4.99	2	300	2.49
3	500	4.16	4	-	-
5	-	-	6	-	-
7	-	-	8	-	-
TOTAL LOAD: 1400 W = 1.4 kW					

2-1/C NO. 8 WITH 1-1/C NO. 8 GROUND (GREEN)



TYPICAL DETAIL AT PIERS

SCALE: NONE

SHEET L-9

PLOT SCALE: 1/8" = 1'-0"
 FILE NAME = ...\\prp\In-ABC-sht-RedGateBridge-cab-wire.dgn
 USER NAME = gthiesse
 PLOT DATE = 12/8/2011

DESIGNED - BC	REVISED -
DRAWN - BC	REVISED -
CHECKED - MPM	REVISED -
DATE - 10/23/2011	REVISED -



CITY OF ST. CHARLES

**PROPOSED CABLE AND WIRING PLAN
RED GATE ROAD OVER THE FOX RIVER**

SCALE: SHEET NO. 9 OF 10 SHEETS STA. TO STA.

F.A. RTE.	SECTION	COUNTY	TOTAL SHEETS	SHEET NO.
	04-00092-00-BR	KANE	440	217
CONTRACT NO. 63650				
ILLINOIS FED. AID PROJECT				