

Notes:

All cast iron parts shall be gray iron conforming to the requirements of AASHTO M 105, Class 35B.

Bolts, anchor studs, washers and nuts shall conform to the requirements of ASTM A 307 and shall be galvanized according to AASHTO M 232.

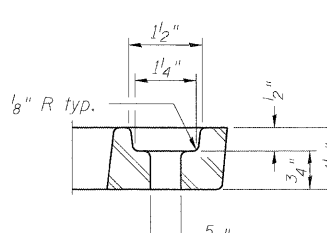
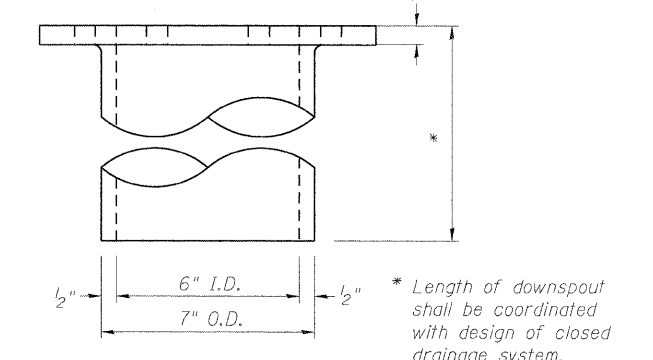
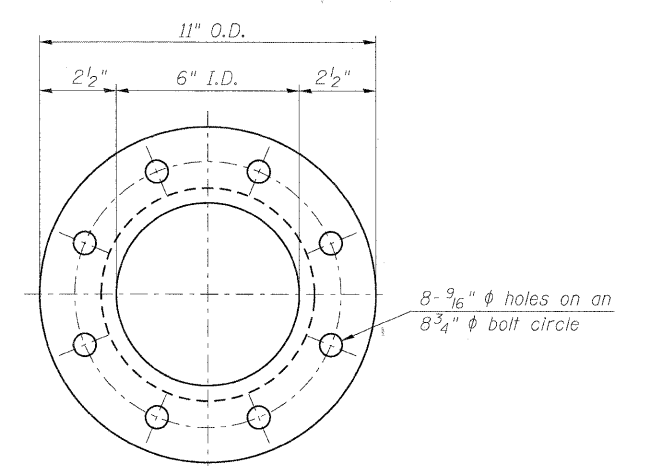
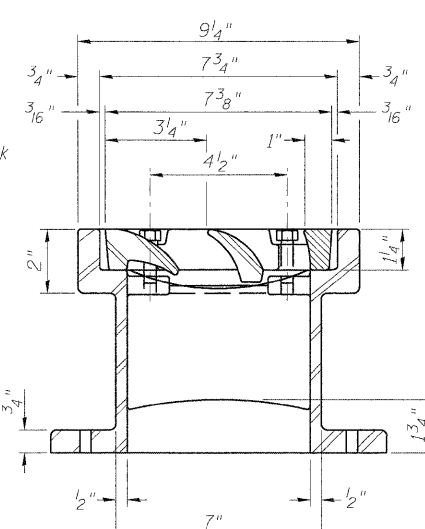
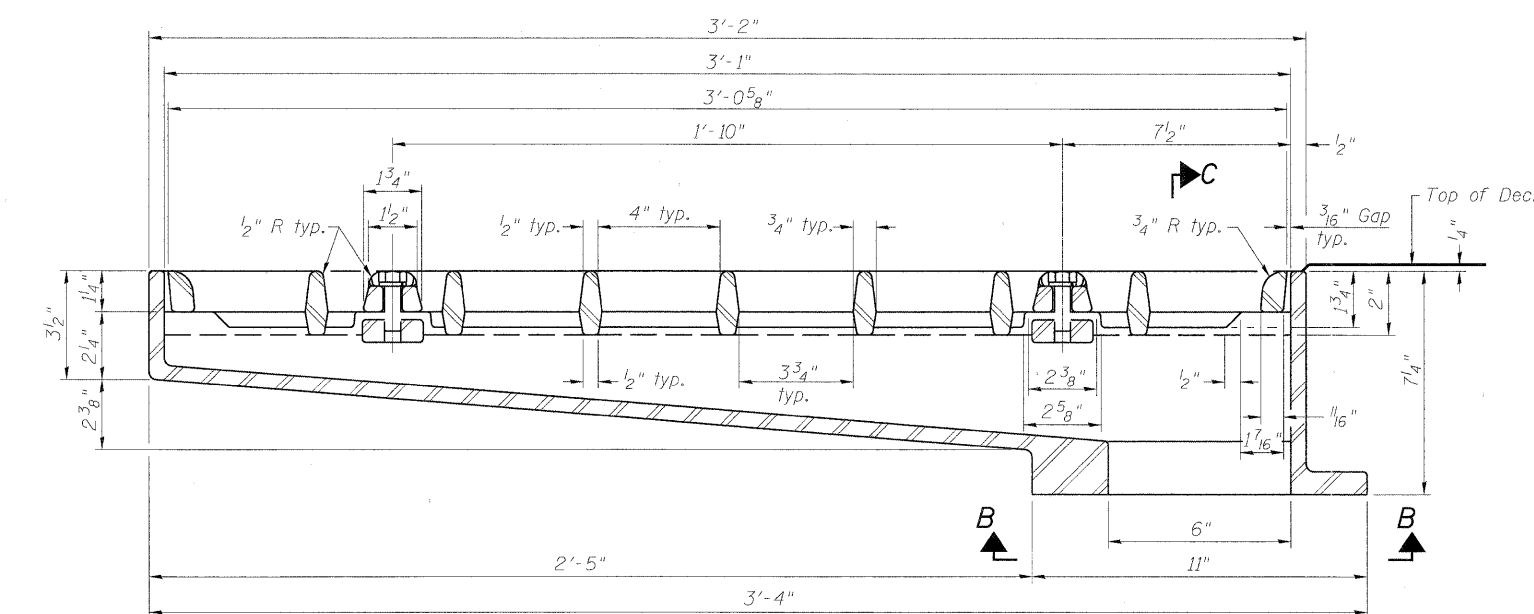
As an alternate, bolts, anchor studs, washers and nuts may be stainless steel according to Article 1006.29(d) of the Standard Specifications.

Structural steel weldments of equal sections and of the same configuration may be substituted for the cast iron scupper frame. Fillet or full penetration welds shall be used for the weldments. Details shall be submitted to the Engineer for approval. Structural steel weldments shall not be substituted for the cast iron scupper grate. Structural steel frames and downspouts shall be galvanized according to AASHTO M11.

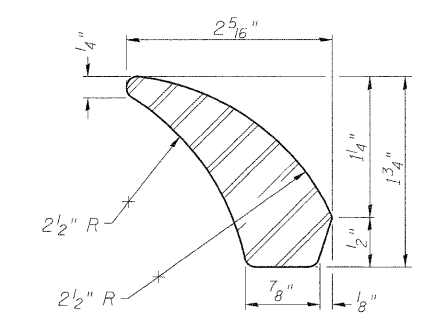
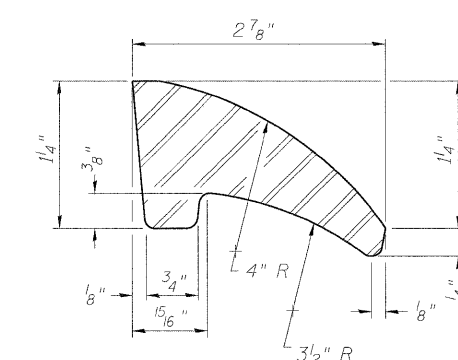
The Contractor shall take appropriate measures to assure that Protective Coat is not applied to the scupper.

Cost of the Grate, Frame, Downspout, Anchor Studs, Bolts, Washers and Nuts including complete installation of the scupper shall be paid for at the contract unit price each for Drainage Scupper, DS-33.

Alternate fiberglass downspout conforming to ASTM D 2996 with a short-time rupture strength hoop tensile stress of 30,000 psi min. may be used in lieu of the cast iron or steel equivalent.



(See Sheet S12 for scupper location relative to curb)



BILL OF MATERIAL

ITEM	UNIT	QUANTITY
Drainage Scupper, DS-33	Each	13

benesch
engineers - scientists - planners

Alfred Benesch & Company
205 North Michigan Avenue, Suite 2400
Chicago, Illinois 60601
312-565-0450 Job No. 10092

FILE NAME =	USER NAME =	DESIGNED -	REVISED -
0456024_021_ScupperDtls.dgn	akeeschall	MFH	
		CHECKED -	REVISED -
		AJK	
		DRAWN -	REVISED -
		RMG	
		CHECKED -	REVISED -
		AJK	



CITY OF ST. CHARLES

DRAINAGE SCUPPER, DS-33
STRUCTURE NO. 045-6024 RED GATE ROAD OVER THE FOX RIVER

SHEET NO. S21 OF S56 SHEETS

F.A.I. RTE.	SECTION	COUNTY	TOTAL SHEETS	SHEET NO.
	04-00092-00-BR	KANE	440	243
			CONTRACT NO. 63650	
ILLINOIS FED. AID PROJECT				

11/9/2011 5:03:04 PM x:\10000s\10092\engineering\documents_redgatephase11\groverfoxriver\final\plans\0456024_021_ScupperDtls.dgn