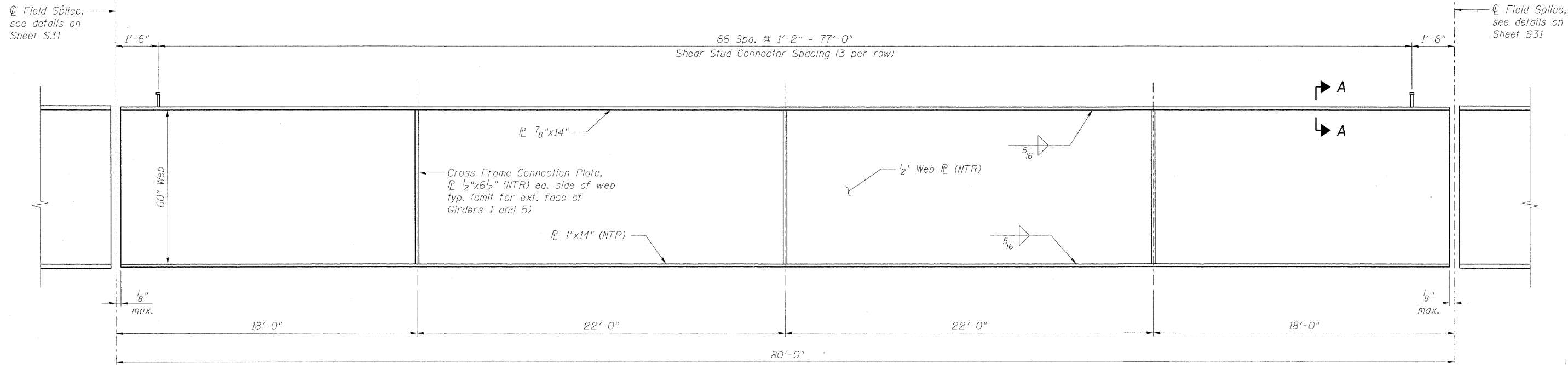
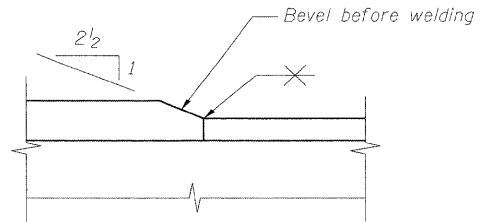


ELEVATION - GIRDER A
(20 Req'd)



ELEVATION - GIRDER B
(25 Req'd)



DETAIL 1
(Typ.)

- NOTES:**
- All flange plates, web plates, bearing stiffeners, and cross frame connection plates shall be AASHTO M270 Grade 50 steel.
 - Load carrying components designated "NTR" shall conform to the Supplemental Requirements for Notch Toughness, Zone 2.
 - Work this sheet with Sheets S22 thru S23 and S25 thru S27.
 - See Sheet S30 for Section A-A.

benesch
engineers - scientists - planners
Alfred Benesch & Company
205 North Michigan Avenue, Suite 2400
Chicago, Illinois 60601
312-565-0450 Job No. 10092

FILE NAME = 0456024_024_PlateG1-der1.dgn	USER NAME = akoeschell	DESIGNED - MFH	REVISIONS
		CHECKED - AJK	REVISIONS
		DRAWN - RMG	REVISIONS
		CHECKED - AJK	REVISIONS
			REVISIONS



CITY OF ST. CHARLES

STEEL PLATE GIRDER ELEVATION (1 OF 4)
STRUCTURE NO. 045-6024 RED GATE ROAD OVER THE FOX RIVER

SHEET NO. S24 OF S56 SHEETS

F.A.I. RTE.	SECTION	COUNTY	TOTAL SHEETS	SHEET NO.
	04-00092-00-BR	KANE	440	246
CONTRACT NO. 63650			ILLINOIS FED. AID PROJECT	

x:\10000s\10092\engineering\documents_redgatephaseau\groverfoxriver\final\plans\0456024_024_PlateG1-der1.dgn
 5:03:16 PM
 11/9/2011