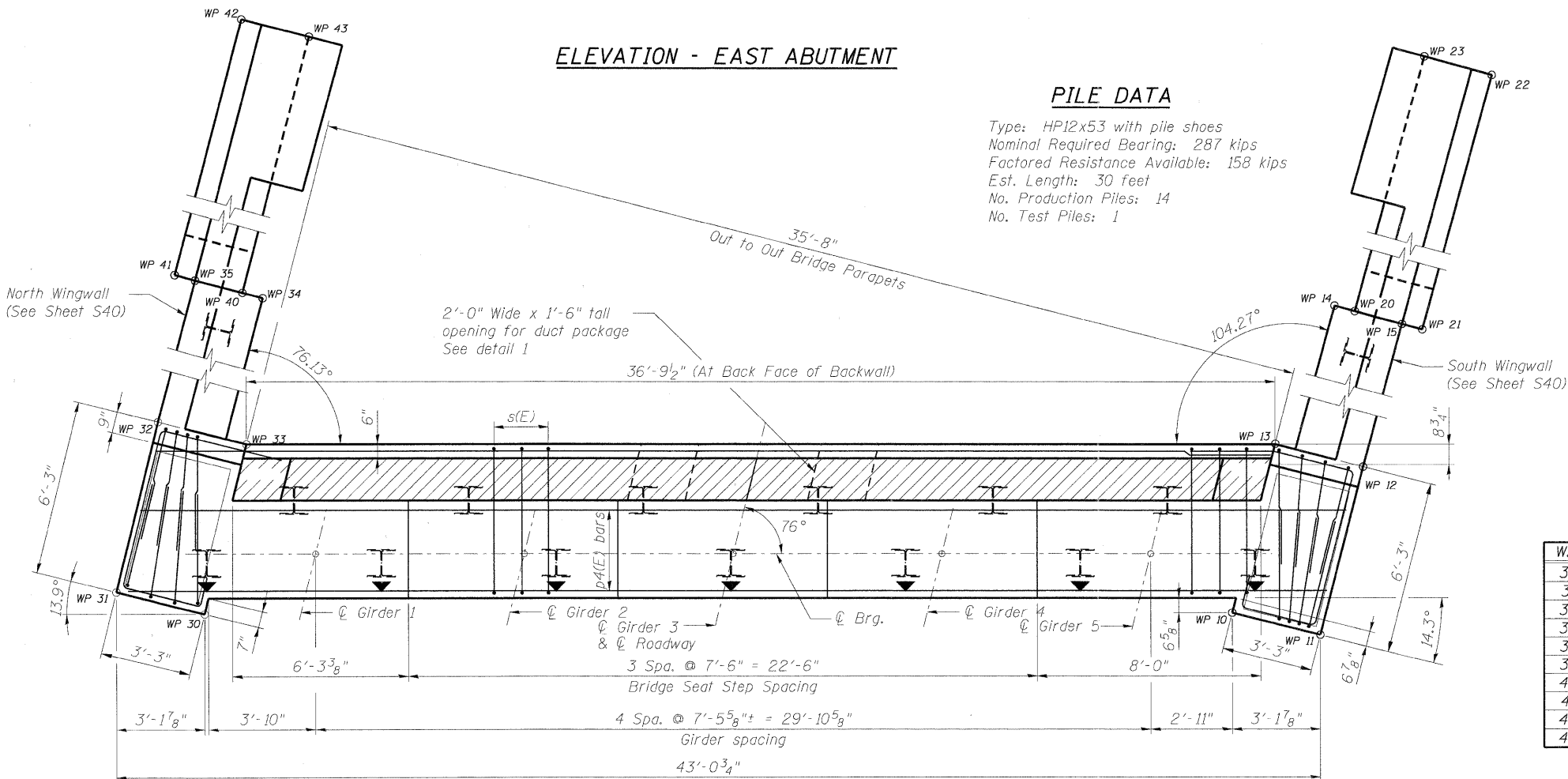


ELEVATION - EAST ABUTMENT

PILE DATA

Type: HP12x53 with pile shoes
 Nominal Required Bearing: 287 kips
 Factored Resistance Available: 158 kips
 Est. Length: 30 feet
 No. Production Piles: 14
 No. Test Piles: 1



PLAN - EAST ABUTMENT

NORTH FOOTING & WINGWALL

W.P.	Station	Offset
30	120+78.29	17'-10"
31	120+78.30	21'-1"
32	120+84.43	21'-0 7/8"
33	120+84.43	17'-10"
34	120+95.67	18'-6 1/2"
35	120+95.67	21'-0 1/8"
40	120+95.67	19'-3 3/8"
41	120+95.67	21'-9 3/8"
42	121+13.48	21'-10 5/8"
43	121+13.51	19'-4 1/4"

SOUTH FOOTING & WINGWALL

W.P.	Station	Offset
10	120+87.10	17'-10 1/8"
11	120+87.09	21'-1 1/8"
12	120+93.47	21'-1 1/8"
13	120+93.46	17'-10"
14	121+05.21	18'-8 3/8"
15	121+05.20	21'-2 3/8"
20	121+05.21	19'-5 3/8"
21	121+05.20	21'-11 3/8"
22	121+23.74	21'-10 1/4"
23	121+23.71	19'-4 1/4"

DETAIL 1 AT DUCT BANK BLOCKOUT

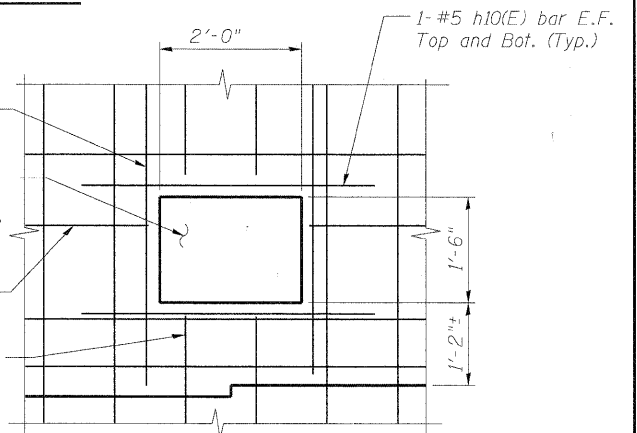
Note: Exact location of blockout shall be confirmed with the electrical details prior to construction of backwall

1-#6 v10(E) bar E.F. Each Side (Typ.)

Grout the opening closed after conduits are installed. Cost of this work shall be included with "Concrete Structures"

Cut a maximum of 2 h57(E) bars

Cut a maximum of 2 v1(E) and v2(E) bars



NOTES:

- See sheet S40 for wingwall sections and details.
- See sheet S3 for foundation layout.
- Locate 3" sleeve as required for traffic signal interconnect.

benesch
 engineers - scientists - planners
 Alfred Benesch & Company
 205 North Michigan Avenue, Suite 2400
 Chicago, Illinois 60601
 312-565-0450 Job No. 10092

PLAN - EAST ABUTMENT

CITY OF ST. CHARLES

EAST ABUTMENT DETAILS (1 OF 2)
 STRUCTURE NO. 045-6024 RED GATE ROAD OVER THE FOX RIVER

F.A.I. RTE.	SECTION	COUNTY	TOTAL SHEETS	SHEET NO.
	04-00092-00-BR	KANE	440	261
				CONTRACT NO. 63650
ILLINOIS FED. AID PROJECT				

FILE NAME =	USER NAME = ekeaschal1	DESIGNED - MFH	REVISED -
0456024_039_EAbutDtl.sldgn		CHECKED - MRB	REVISED -
	PLOT SCALE =	DRAWN - RMG	REVISED -
	PLOT DATE = 11/9/2011	CHECKED - MRB	REVISED -

SHEET NO. S39 OF S56 SHEETS