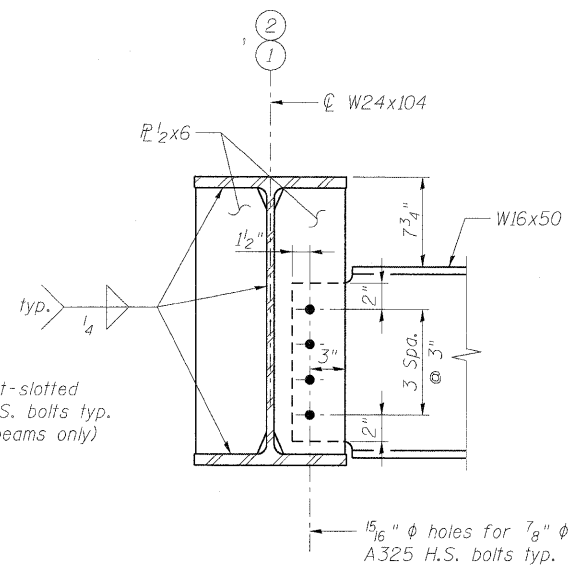
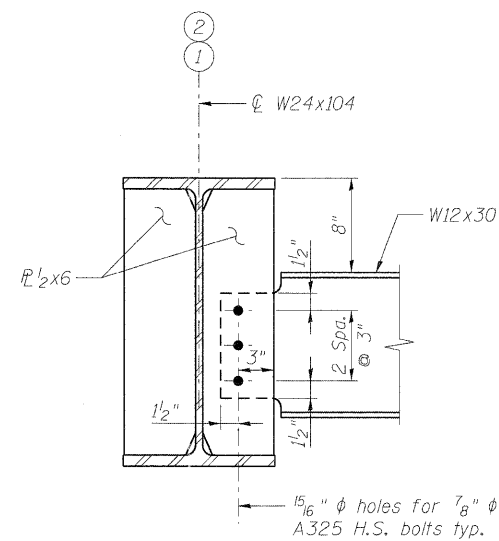


**TYPICAL FLOORBEAM CONNECTION**

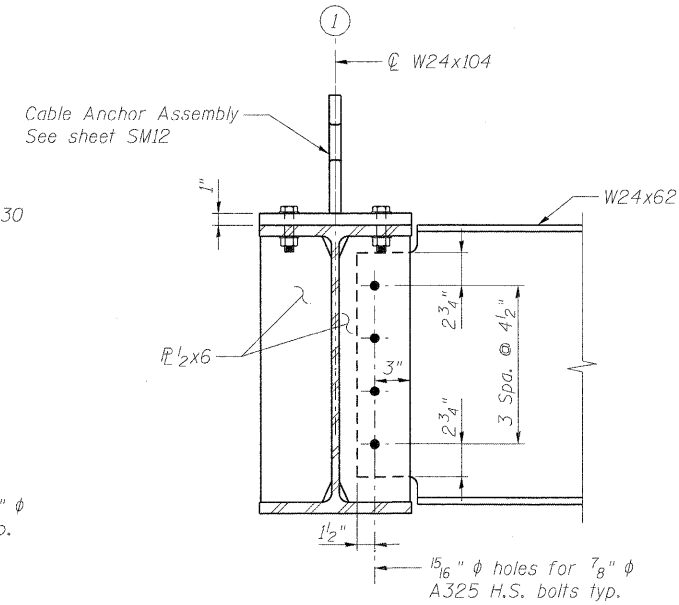


**ABUTMENT FLOORBEAM CONNECTION**

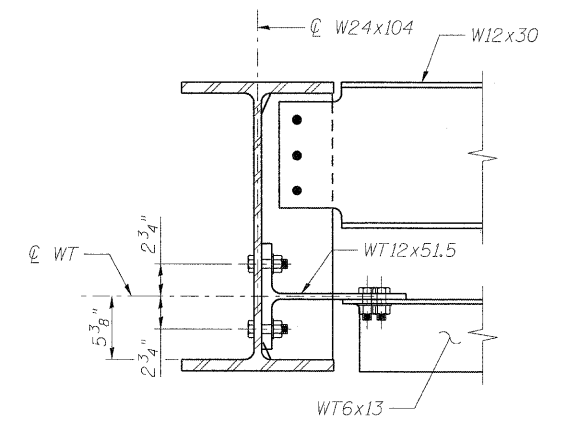
(See Note 1)



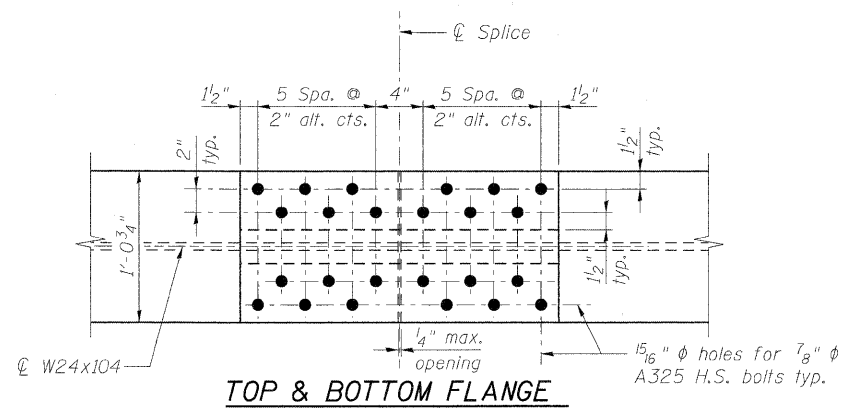
**PIER 3 FLOORBEAM CONNECTION**



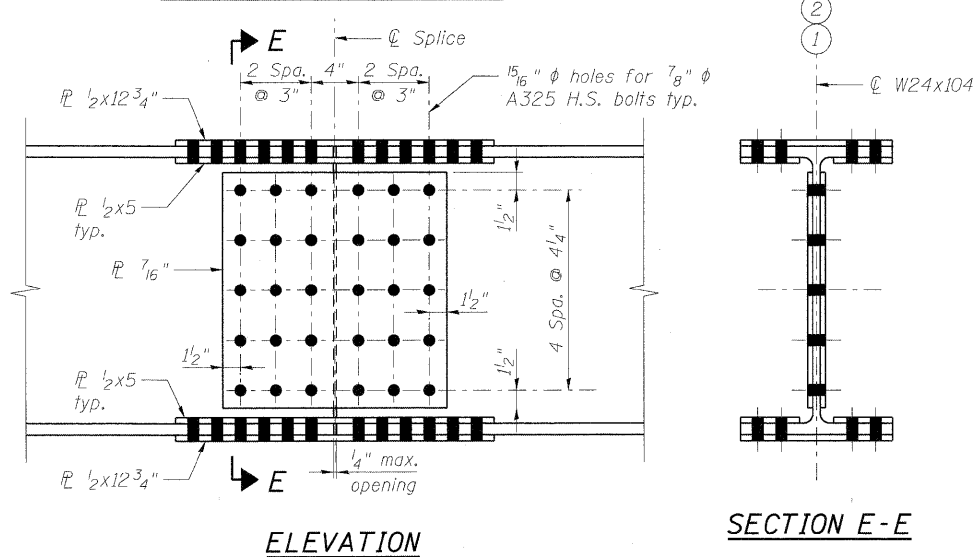
**SECTION AT ANCHORAGE LOCATION**



**SECTION B-B**

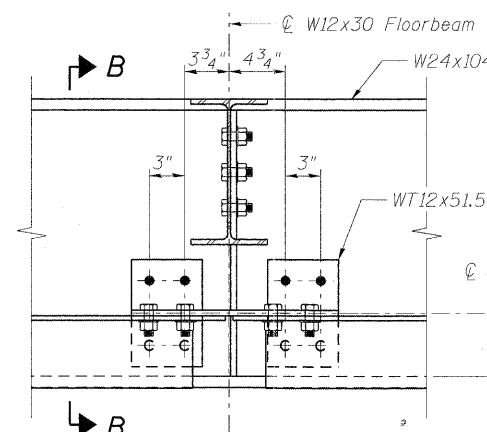


**TOP & BOTTOM FLANGE**

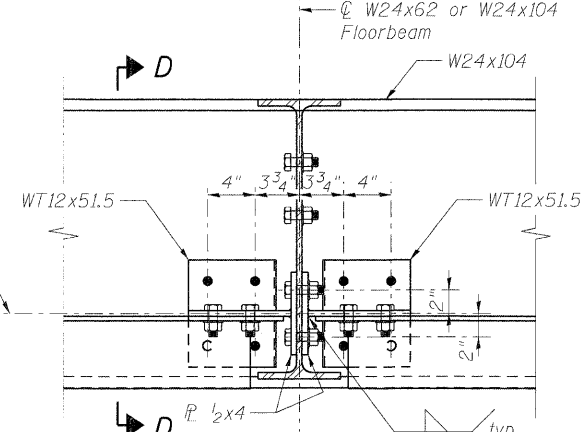


**W24x104 SPLICE DETAIL**

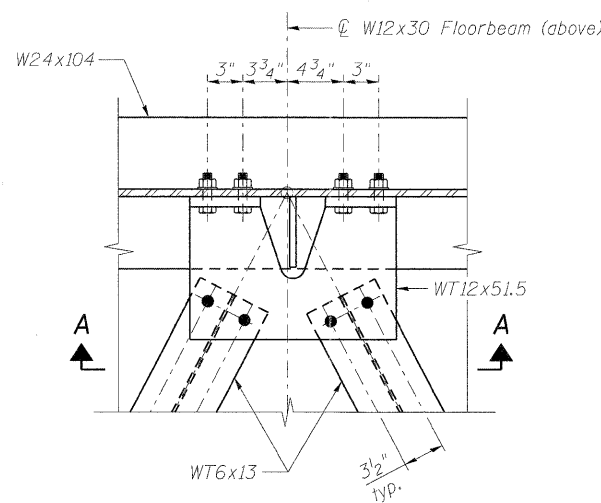
**SECTION E-E**



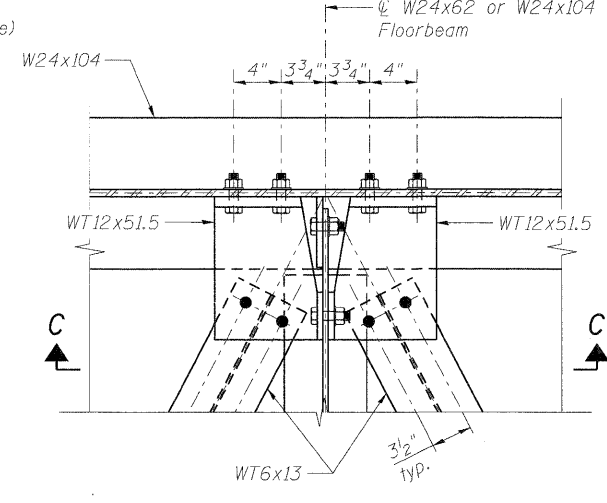
**VIEW A-A**



**VIEW C-C**

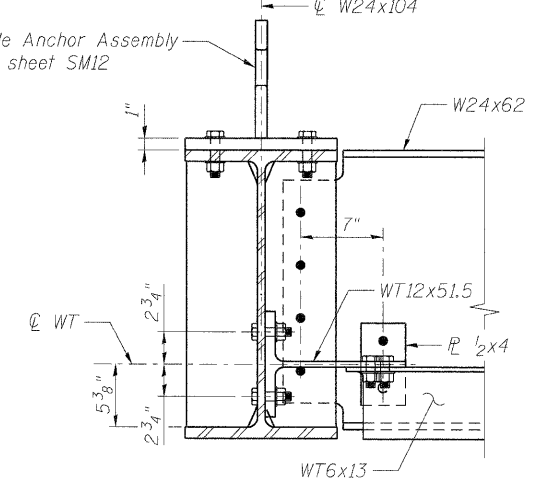


**DETAIL 1**



**DETAIL 2**

Stiffeners not shown for clarity.  
See sheet SM12 for detail.



**SECTION D-D**

**NOTES:**

- Weld detail shown at Abutment Floorbeam Connection typical at all connection plates.
- Work this sheet with sheets SM7 and SM9.

**benesch**  
engineers · scientists · planners  
Alfred Benesch & Company  
205 North Michigan Avenue, Suite 2400  
Chicago, Illinois 60601  
312-565-0450 Job No. 10092

FILE NAME =	USER NAME = akaschall	DESIGNED - JLS	REVISED -
0456020_08_SteelDtls_1.dgn		CHECKED - LRB	REVISED -
	PLOT SCALE =	DRAWN - RMG	REVISED -
	PLOT DATE = 11/18/2011	CHECKED - AJK	REVISED -



**CITY OF ST. CHARLES**

**STEEL BEAM DETAILS (1 OF 2)**  
**STRUCTURE NO. 045-6020 MULTI-USE TRAIL BRIDGE OVER FOX RIVER**

SHEET NO. SM8 OF SM9 SHEETS

F.A.I. RTE.	SECTION	COUNTY	TOTAL SHEETS	SHEET NO.
	04-00092-00-BR	KANE	440	286
			CONTRACT NO. 63650	
ILLINOIS FED. AID PROJECT				