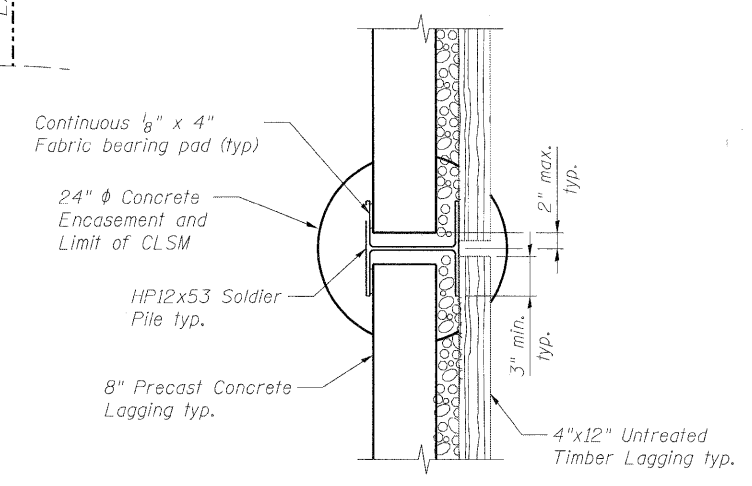
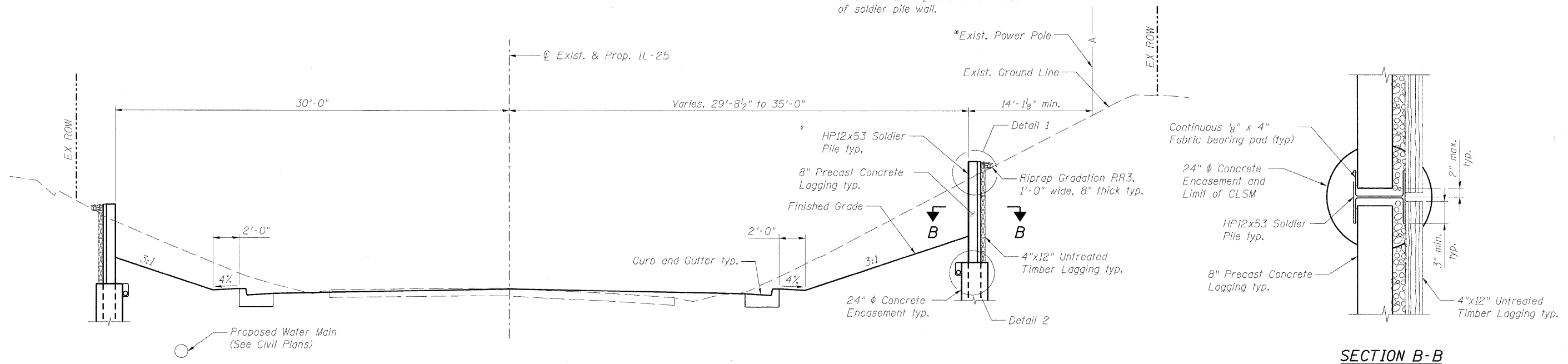


* Overhead power lines vary between 3'-7" and 15'-4 1/2" from front face of soldier pile wall.



SECTION A-A

SECTION B-B

**WEST WALL
BILL OF MATERIAL**

Untreated Timber Lagging	Sq. Ft.	1,713
Drilling and Setting Soldier Piles (In Soil)	Cu. Ft.	1,825
Furnishing Soldier Piles (HP Section)	Foot	619
Precast Concrete Lagging	Sq. Ft.	1,713
Form Liner Textured Surface (Special)	Sq. Ft.	1,713
Anti-Graffiti Protection System	Sq. Ft.	1,713
Pipe Underdrains for Structures, 4"	Foot	306

**EAST WALL
BILL OF MATERIAL**

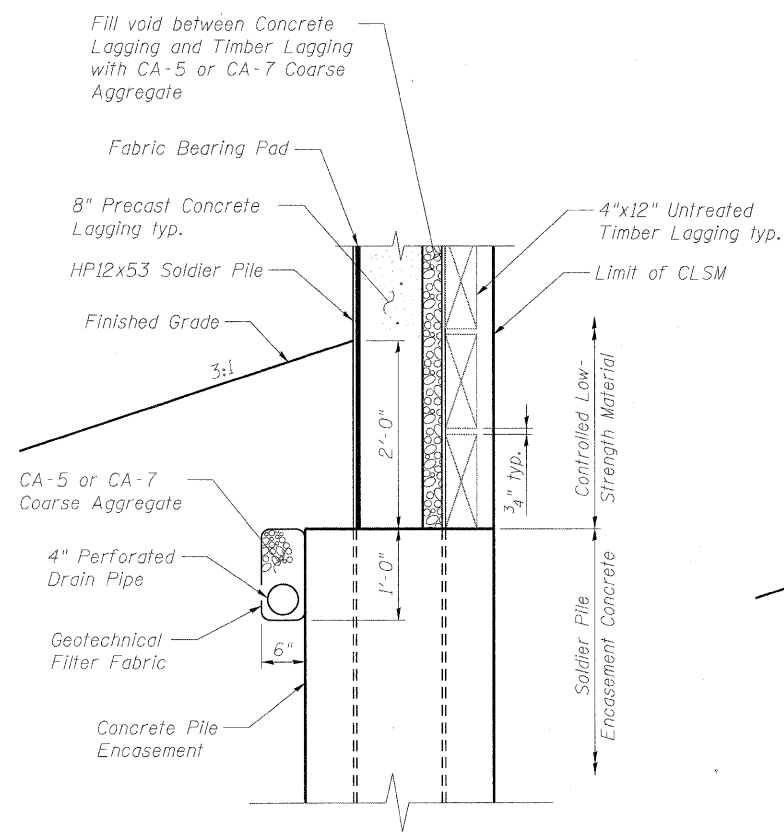
Untreated Timber Lagging	Sq. Ft.	4,203
Drilling and Setting Soldier Piles (In Soil)	Cu. Ft.	4,644
Furnishing Soldier Piles (HP Section)	Foot	1,552
Precast Concrete Lagging	Sq. Ft.	4,203
Form Liner Textured Surface (Special)	Sq. Ft.	4,203
Anti-Graffiti Protection System	Sq. Ft.	4,203
Pipe Underdrains for Structures, 4"	Foot	601

NOTES:

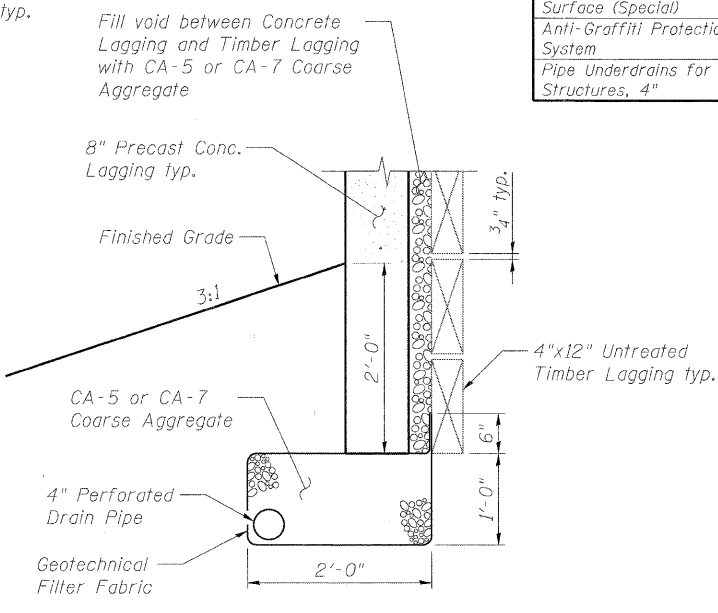
- For the stations, elevations, and offsets of individual soldier piles, see Sheet SR3.
- Underdrain shall be provided with T-joints and runs of 4" unperforated pipe at a 2.0% minimum slope to the following drainage structures:

West Soldier Pile Wall:
A-2

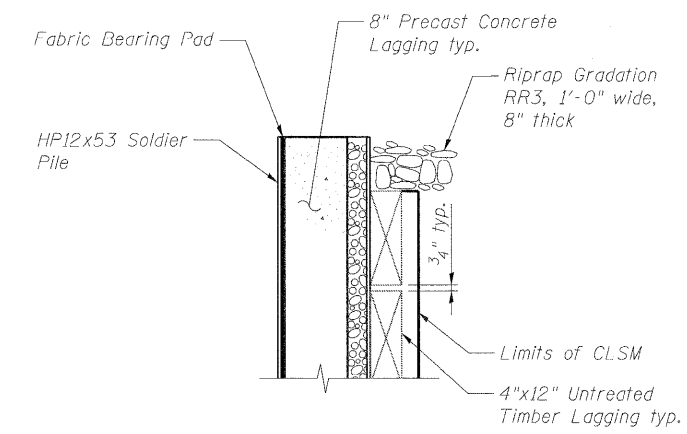
East Soldier Pile Wall:
A-3
A-16
- See Civil Plans for locations and details of drainage structures.
- Cost of 4" Perforated or Unperforated Drain Pipe, Geotechnical Filter Fabric, CA-5 or CA-7 Coarse Aggregate, and any additional excavation required to install underdrains shall be included in the cost of Pipe Underdrains for Structures, 4".
- Precast concrete lagging shall be furnished with a textured form liner in accordance with the Special Provisions.
- Precast concrete lagging shall be designed by the Contractor. Thickness shown in these plans is structural only and does not include thickness required for the form liner pattern.
- The contractor is responsible for the design and performance of the concrete and timber lagging.
- Grading shall transition from 3:1 along walls to 2:1 at each end. Transition shall occur within the last 20'-0" of the wall limits.



**DETAIL 2
(At soldier piles)**



**DETAIL 2
(Between soldier piles)**



DETAIL 1

benesch
engineers • scientists • planners
Alfred Benesch & Company
205 North Michigan Avenue, Suite 2400
Chicago, Illinois 60601
312-565-0450 Job No. 10092

FILE NAME =	USER NAME = akaschall	DESIGNED - MFH	REVISED -
IL25_WALLS.002.Section.dgn		CHECKED - AJK	REVISED -
	PLOT SCALE =	DRAWN - MFH	REVISED -
	PLOT DATE = 11/9/2011	CHECKED - HMA	REVISED -



CITY OF ST. CHARLES

**CROSS SECTION AND DETAILS
RETAINING WALLS ALONG IL 25**

SHEET NO. SR2 OF SR13 SHEETS

F.A.I. RTE.	SECTION	COUNTY	TOTAL SHEETS	SHEET NO.
	04-00092-00-BR	KANE	440	300
CONTRACT NO. 63650				
ILLINOIS FED. AID PROJECT				

x:\10000s\10092\engineering\documents\redgatephaseii\retaining walls\il-25 walls\final\plans\IL25_WALLS.002.Section.dgn 3:21:15 PM 11/9/2011