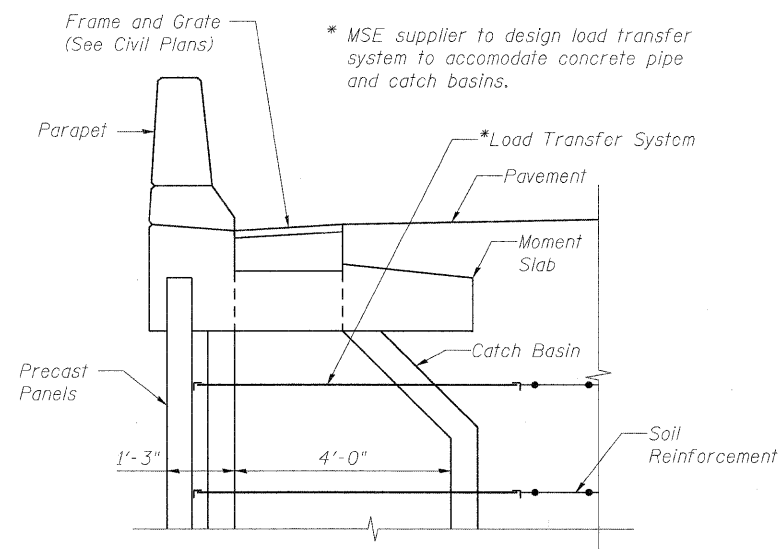
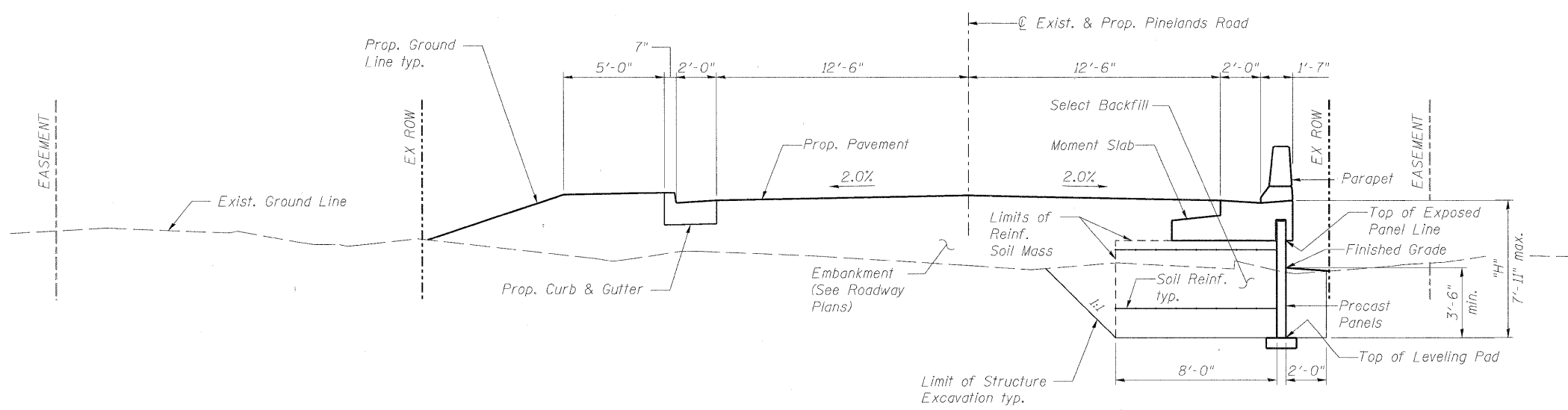


SECTION A-A
(Looking upstation)



LOAD TRANSFER SYSTEM DETAIL
(At drainage structures)



SECTION B-B
(Looking upstation)

- NOTES:**
1. See Sheets SR11 and SR12 for moment slab details and dimensions.
 2. See Civil Plans for catch basin locations and details.
 3. Additional excavation beyond Limit of Structure Excavation will not be measured for payment.
 4. Precast panels shall be furnished with a textured form liner in accordance with the Special Provisions.

benesch
engineers · scientists · planners

Alfred Benesch & Company
205 North Michigan Avenue, Suite 2400
Chicago, Illinois 60601
312-565-0450 Job No. 10092

FILE NAME =	USER NAME = akoeschal	DESIGNED - MFH	REVISED -
PINELANDS_WALLS_002_Section.dgn		CHECKED - AJK	REVISED -
	PLOT SCALE =	DRAWN - MFH	REVISED -
	PLOT DATE = 11/9/2011	CHECKED - HMA	REVISED -



CITY OF ST. CHARLES

TYPICAL SECTIONS
RETAINING WALL AT IL 25 AND PINELANDS ROAD
SHEET NO. SR10 OF SR13 SHEETS

F.A.I. RTE.	SECTION	COUNTY	TOTAL SHEETS	SHEET NO.
	04-00092-00-BR	KANE	440	308
CONTRACT NO. 63650				
ILLINOIS FED. AID PROJECT				