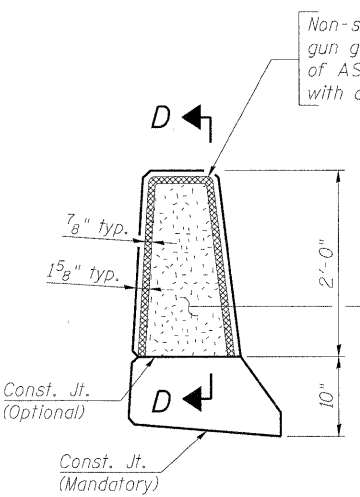


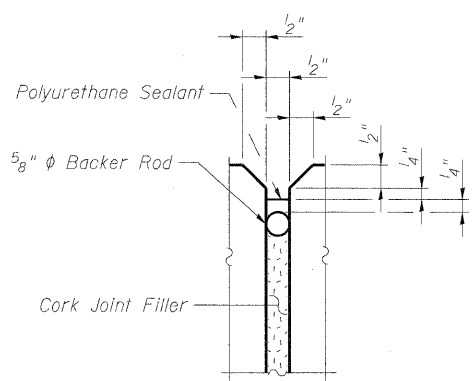
SECTION C-C

* Note: Anti-Graffiti Coating shall be applied to the back face of the parapet and moment slab.

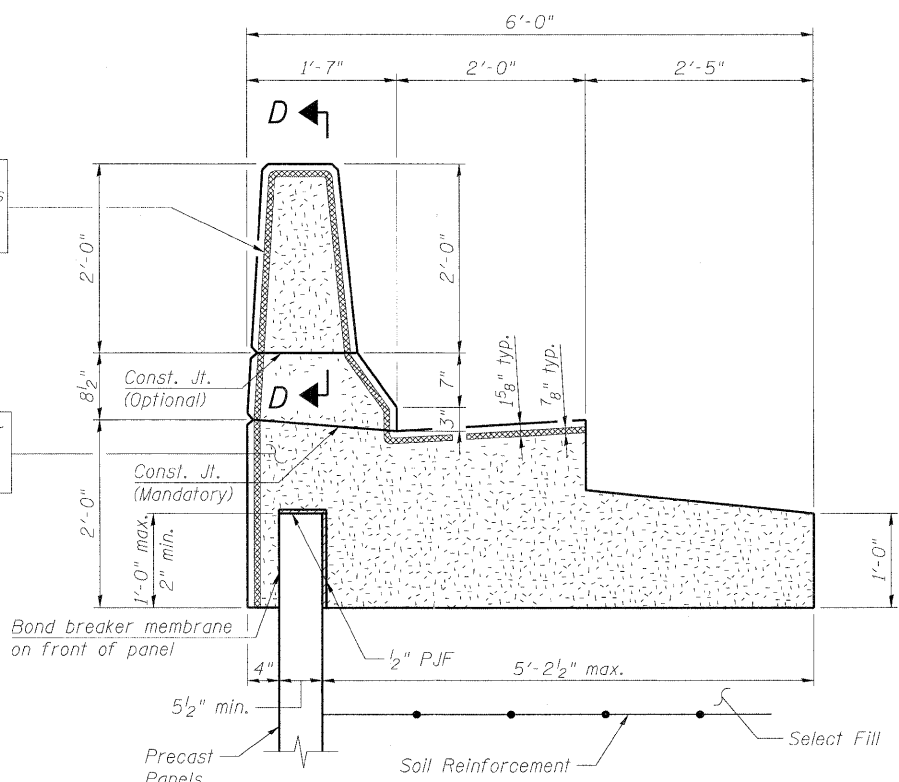


PARTIAL HEIGHT JOINT DETAILS

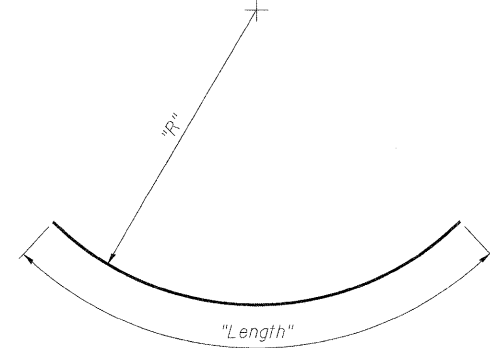
* The MSE wall supplier's internal stability design shall account for the moment slab's bearing pressure surcharge of 1.0 ksf and horizontal sliding force of 0.5 kips/ft. of wall.



SECTION D-D

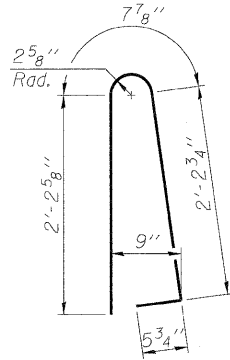


FULL HEIGHT EXPANSION JOINT DETAILS

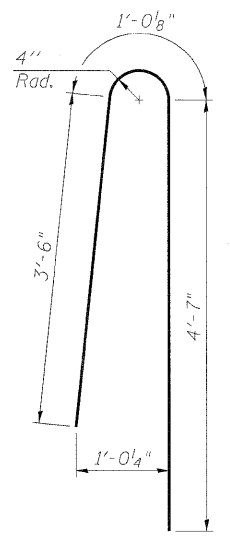


Bar	R
b1(E)	19'-10"
b2(E)	16'-7"
e3(E)	16'-7"
e4(E)	17'-5"
e5(E)	16'-7"

BARS b1(E), b2(E), e3(E), e4(E) & e5(E)



BAR d(E)



BAR d(E)

BILL OF MATERIAL

Bar	No.	Size	Length	Shape
a(E)	274	#5	9'-2"	└┘
a1(E)	274	#6	6'-4"	└┘
a2(E)	32	#5	2'-6"	—
b(E)	84	#5	29'-0"	—
b1(E)	22	#5	19'-6"	⌒
b2(E)	6	#5	15'-0"	⌒
b3(E)	28	#5	25'-0"	—
d(E)	278	#5	5'-7"	U
d1(E)	274	#5	7'-9"	U
e(E)	70	#4	16'-1"	—
e1(E)	6	#8	30'-9"	—
e2(E)	6	#4	28'-6"	—
e3(E)	14	#4	14'-4"	⌒
e4(E)	2	#8	17'-3"	⌒
e5(E)	2	#4	15'-6"	⌒
e6(E)	21	#4	15'-6"	—
e7(E)	2	#8	26'-3"	—
e8(E)	2	#4	24'-9"	—
Reinforcement Bars, Epoxy Coated			Pound	14,920
Concrete Structures			Cu. Yds.	110.8
Protective Coat			Sq. Yds.	155
Mechanically Stabilized Earth Retaining Wall			Sq. Ft.	1,483
Form Liner Textured Surface (Special)			Sq. Ft.	1,483
Anti-Graffiti Protection System			Sq. Ft.	1,483
Anti-Graffiti Coating			Sq. Ft.	1,119
Structure Excavation			Cu. Yds.	490

Bars indicated thus 1x4-#8 etc. indicates 1 line of bars with 4 lengths per line.

NOTES:

- Joints between ends of moment slab and adjacent curb shall consist of 1/2" PJF.
- Slipforming of parapets is not allowed.
- Minimum precast panel thickness shown is structural only and does not include thickness required for form liner pattern.

benesch
engineers - scientists - planners
Alfred Benesch & Company
205 North Michigan Avenue, Suite 2400
Chicago, Illinois 60601
312-565-0450 Job No. 10092

FILE NAME =	USER NAME = akoeschell	DESIGNED - MFH	REVISED -
PINELANDS_WALLS_004_SlabDetails.dgn	PLOT SCALE =	CHECKED - AJK	REVISED -
	PLOT DATE = 11/9/2011	DRAWN - MFH	REVISED -
		CHECKED - HMA	REVISED -



CITY OF ST. CHARLES

MOMENT SLAB DETAILS (2 OF 2)
RETAINING WALL AT IL 25 AND PINELANDS ROAD

SHEET NO. SR12 OF SR13 SHEETS

F.A.I. RTE.	SECTION	COUNTY	TOTAL SHEETS	SHEET NO.
	04-00092-00-BR	KANE	440	310
CONTRACT NO. 63650			ILLINOIS FED. AID PROJECT	

x:\10000s\10092\engineering\documents_redgatephaseau\retaining walls\pinelands wall\final\plans\pinelands WALLS_004_SlabDetails.dgn
 3:22:10 PM
 11/9/2011