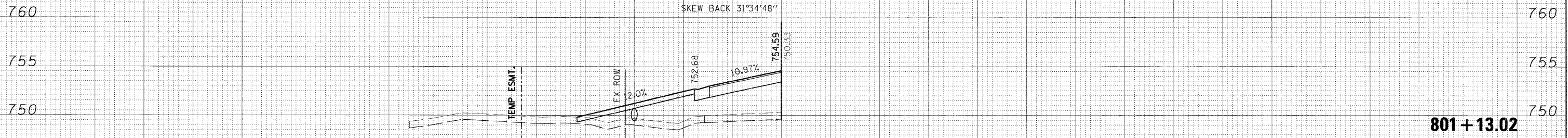
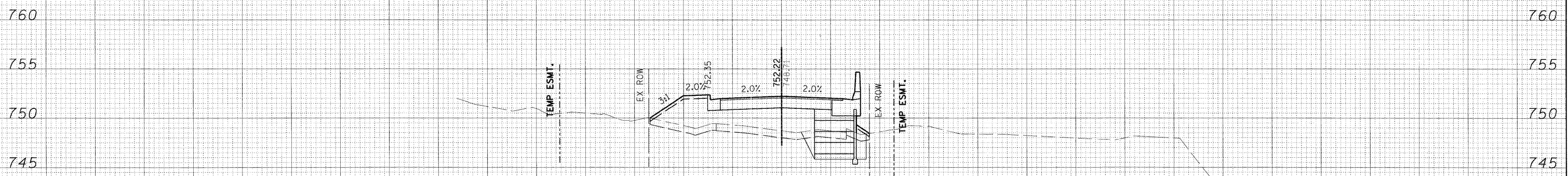


FINAL SURVEY	DATE



**801 + 13.02**

ORIGINAL SURVEY	DATE



EMBANKMENT = 90.1 S.F.
CUT = 0.0 S.F.
TOPSOIL EX = 12.1 S.F.
TOPSOIL PLACEMENT = 4.8 S.F.

**801 + 00.00**

PLOT SCALE: 1/8" = 1'-0"  
 FILE NAME: ...\\Cross\_sections\PNLDS-px.dgn  
 USER NAME: mooleman  
 PLOT DATE: 11/9/2011

DESIGNED - MAC	REVISED -
DRAWN - TMB	REVISED -
CHECKED - RMT	REVISED -
DATE - 10/23/2011	REVISED -



**CITY OF ST. CHARLES**

**PINELANDS ROAD  
 CROSS-SECTIONS**

F.A. RTE.	SECTION	COUNTY	TOTAL SHEETS	SHEET NO.
	04-00092-00-BR	KANE	440	410
			CONTRACT NO. 63650	
ILLINOIS FED. AID PROJECT				

SCALE: SHEET NO. 3 OF 3 SHEETS STA. 801+00.00 TO STA. 801+13.02