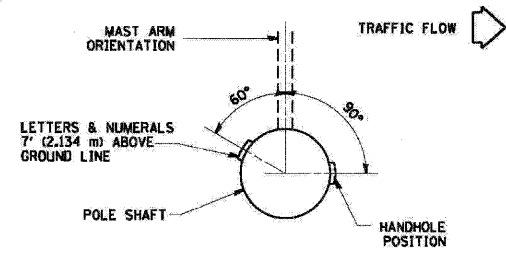
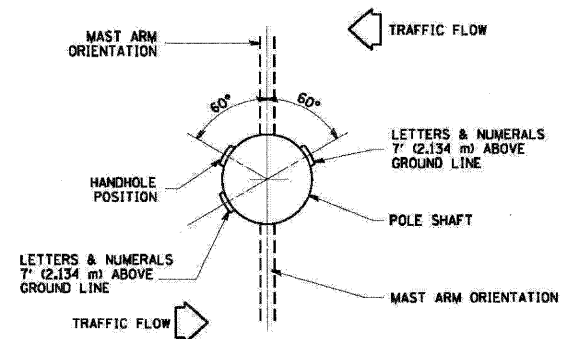


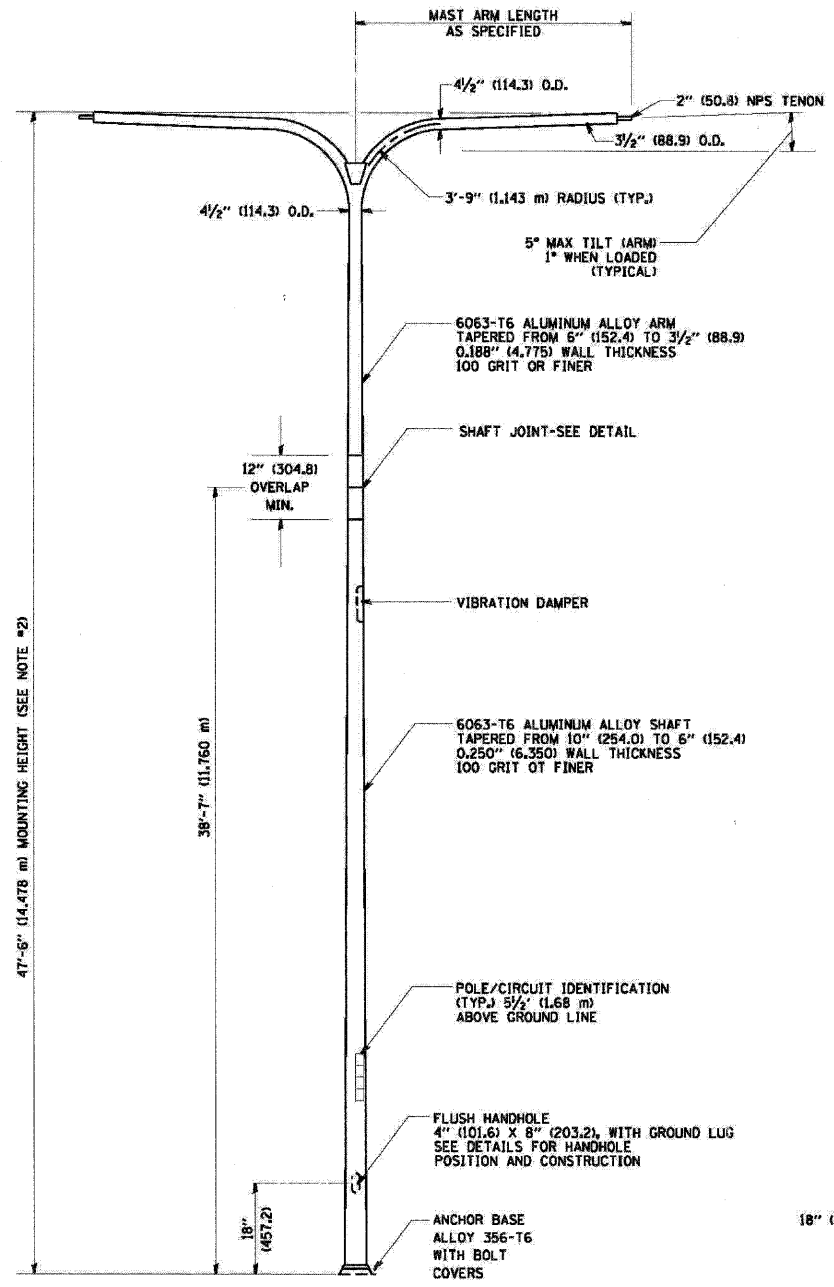
POSITION OF HANDHOLE AND POLE NUMBER FOR SINGLE MAST ARM POLES MOUNTED ON BRIDGE PARAPET OR BARRIER WALL



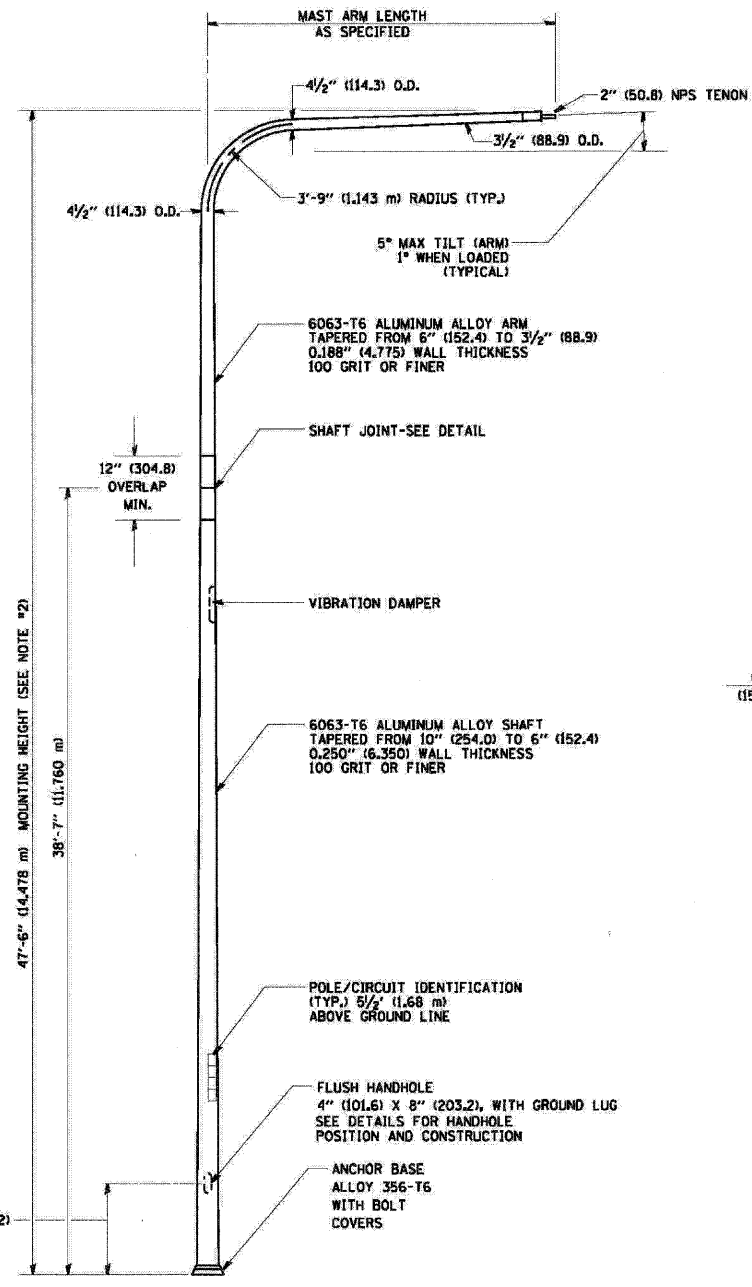
POSITION OF HANDHOLE AND POLE NUMBER FOR SINGLE MAST ARM POLES



POSITION OF HANDHOLE AND POLE NUMBER FOR TWIN MAST ARM POLES

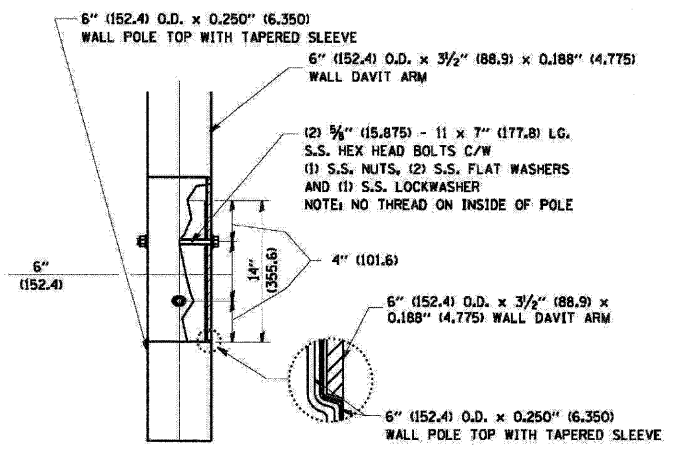


TWIN ARM POLE

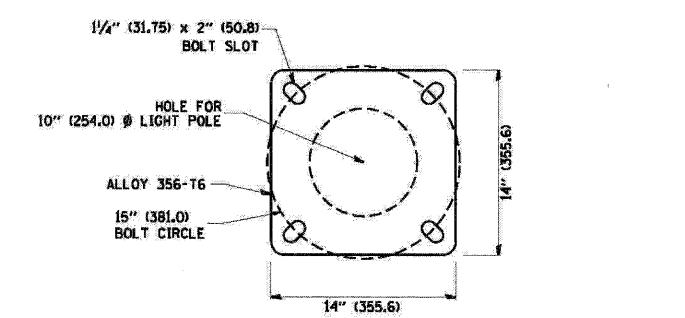


SINGLE ARM POLE

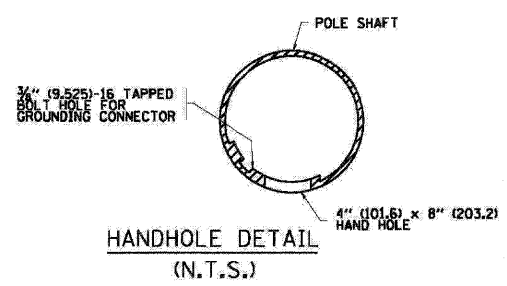
- NOTES:**
1. ALL DIMENSIONS ARE IN INCHES (MILLIMETERS) UNLESS OTHERWISE SHOWN.
 2. MOUNTING HEIGHT IS DEFINED AS THE DISTANCE FROM THE CENTERLINE OF THE TENON TO THE BOTTOM OF THE ANCHOR BASE.
 3. TWO PIECE SHAFT WILL BE MATCHED MARKED AND INTERCHANGEABLE BETWEEN DIFFERENT UNITS. FIELD DRILLING OF THE HOLES WILL NOT BE ALLOWED.
 4. THE LIGHT POLE WILL MEET AASHTO DESIGN CRITERIA AS SPECIFIED.
 5. THE INSTALLING CONTRACTOR WILL PROVIDE A UL LISTED GROUNDING CONNECTOR, BURNDY K2C23, T&B SP4DL OR APPROVED EQUAL.
 6. LIGHT POLES WILL NOT BE INSTALLED WITHOUT MAST ARMS AND LUMINAIRES.
 7. LIGHT POLES WILL BE SET PLUMB ON THE FOUNDATION WITHOUT THE USE OF LEVELING NUTS, WASHERS OR SHIMS.
 8. LIGHTING UNIT IDENTIFICATION NUMBERS SHALL BE INSTALLED BEFORE THE LIGHTING UNIT IS ENERGIZED.



DAVIT ARM CONNECTION
[14" (355.6) OVERLAP SHOWN]



LIGHT POLE BASE PLATE DETAIL
(FOR POLE MOUNTED ON 15 INCH (381.0) BOLT CIRCLE FOUNDATION)



FILE NAME = W:\ad\stata\22x34\be#10.dgn	USER NAME = gajlanobt	DESIGNED - DRAWN - LEY	REVISED - D. DREW 04-02-92 REVISED - D. DREW 05-07-92 REVISED - R. TOMSONS 09-06-00 REVISED - R. TOMSONS 09-02-03	STATE OF ILLINOIS DEPARTMENT OF TRANSPORTATION	DAVIT LIGHT POLE 47'-6" (14.478 m) MOUNTING HEIGHT			F.A. - RTE.	SECTION 04-00092-00-BR	COUNTY KANE	TOTAL SHEETS 440	SHEET NO. 423
PLOT SCALE = 50.0000 "/> <td>CHECKED - DATE -</td> <td>SCALE: NONE</td> <td>SHEET NO. 1 OF 1 SHEETS</td> <td>STA.</td> <td>TO STA.</td> <td colspan="2" style="text-align: center;">BE-410</td> <td colspan="3" style="text-align: center;">CONTRACT NO. 63650</td>		CHECKED - DATE -	SCALE: NONE		SHEET NO. 1 OF 1 SHEETS	STA.	TO STA.	BE-410		CONTRACT NO. 63650		