

Drawing file: W:\Projects\2509232 - Grand Blvd. Design Engineer\Grand Blvd\Grand Blvd\_green.dwg Jan 06, 2012 - 1:35pm

**HANCOCK ENGINEERING**  
Civil Engineers  
Municipal Consultants  
Established 1911

**Living Waters CONSULTANTS**

DESIGNED -	WOP, JG	REVISED -	01/06/12
DRAWN -	MK, DMM	REVISED -	
CHECKED -	WOP, JG	REVISED -	
DATE -	10-24-11	REVISED -	

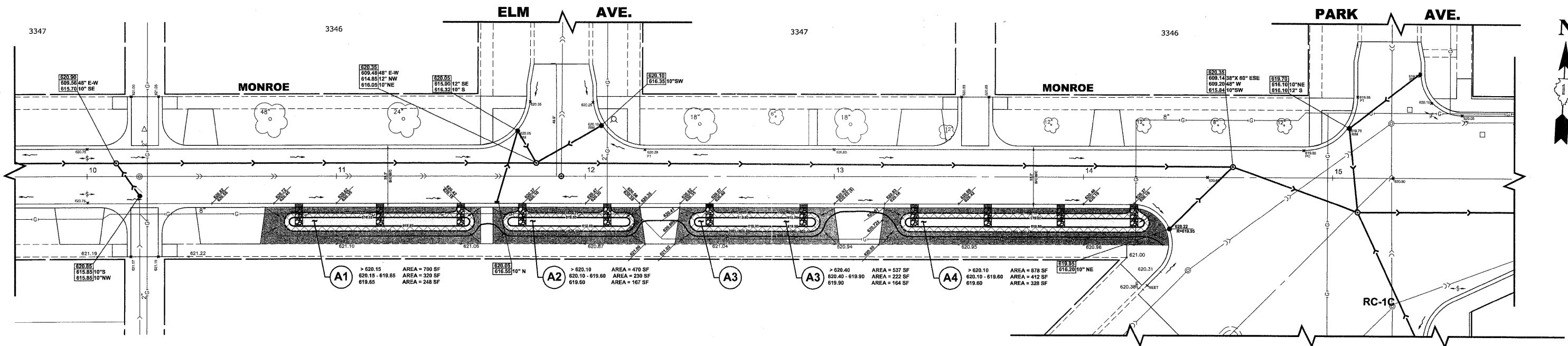
**STATE OF ILLINOIS  
DEPARTMENT OF TRANSPORTATION**

**MONROE AVENUE  
BIOSWALE PLACEMENT PLAN**

SCALE: 1"=10'  
SHEET NO. 1 OF 3 SHEETS STA. - TO STA. -

ROUTE NO.	SECTION	COUNTY	TOTAL SHEETS	SHEET NO.
FAU 1694	07-00122-01-PV	COOK	86	68
FIELD BOOK NO.	-AERIALS/LL	CONTRACT NO.	63651	
FED. ROAD DIST. NO.	1	ILLINOIS FED. AID PROJECT	M-9003(875)	

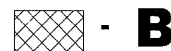
E.H.E. PROJECT NO. 125-09-23201



## NATIVE PLANT PLUG SPECIES LISTS



**A**



**B**



**C**

### A. BIOSWALE - BOTTOM NATIVE PLANT PLUGS LIST

(INSTALLED FROM THE BOTTOM OF THE BIOSWALE (0.00 FT) TO MAX. 0.20 FT VERTICAL ABOVE THE BOTTOM ELEVATION)

SCIENTIFIC NAME	COMMON NAME	NUMBER
ACORUS CALAMUS	SWEET FLAG	45
ASCLEPIAS INCARNATA	MARSH MILKWEED	91
CAREX EMORYII	RIVERBANK TUSsock SEDGE	45
CAREX STIPATA	COMMON FOX SEDGE	45
CAREX VULPINODEA	FOX SEDGE	91
ELYMUS CANADENSIS	PRAIRIE WILD RYE	45
ELYMUS VIRGINICUS	VIRGINIA WILD RYE	136
IRIS VIRGINICA SHREVEI	BLUE FLAG IRIS	136
JUNCUS TORREYI	TORREY'S RUSH	45
PANICUM VIRGATUM	SWITCH GRASS	91
SPARTINA PECTINATA	PRAIRIE CORD GRASS	91
VERBENA HASTATA	BLUE VERVAIN	45
		906

### B. BIOSWALE - SIDE SLOPE NATIVE PLANT PLUGS LIST

(INSTALLED BETWEEN 0.10 FT VERTICAL ABOVE THE BOTTOM OF THE BIOSWALE EXTENDING TO THE TOP OF THE BIOSWALE SIDE SLOPE APPROX. 0.5 FT VERTICAL).

SCIENTIFIC NAME	COMMON NAME	NUMBER
ASCLEPIAS INCARNATA	MARSH MILKWEED	178
CAREX VULPINODEA	FOX SEDGE	178
ECHINACEA PURPUREA	PURPLE CONEFLOWER	118
ELYMUS CANADENSIS	PRAIRIE WILD RYE	59
ELYMUS VIRGINICUS	VIRGINIA WILD RYE	59
LIATRIS PYCNOSTACHYA	PRAIRIE BLAZING STAR	59
LIATRIS SPICATA	DENSE BLAZING STAR	59
MONARDA FISTULOSA	WILD BERGAMONT	59
PANICUM VIRGATUM	SWITCH GRASS	59
PHYSOSTEGIA VIRGINIANA	OBEDIENT PLANT	118
RATIBIDA PINNATA	YELLOW CONEFLOWER	59
SOLIDAGO RIGIDA	STIFF GOLDENROD	59
SOLIDAGO SPECIOSA	SHOWY GOLDENROD	59
TRADESCANTIA OHIENSIS	SPIDERWORT	59
		1182

### C. BIOSWALE - UPPER BANK NATIVE PLANT PLUG LIST

(INSTALLED BETWEEN THE TOP OF THE BIOSWALE [APPROX. 0.5 FT VERTICAL ABOVE THE BOTTOM] AND THE OUTSIDE [UPGRADIENT] EDGE OF THE BIOSWALE PLANTING AREA.

SCIENTIFIC NAME	COMMON NAME	NUMBER
SCHIZACHYRIUM SCOPARIUM	LITTLE BLUESTEM	259
AQUILEGIA CANADENSIS	COLUMBINE	259
ASCLEPIAS TUBEROSA	BUTTERFLY MILKWEED	129
ASTER NOVAE-ANGLIAE	NEW ENGLAND ASTER	259
ECHINACEA PURPUREA	PURPLE CONEFLOWER	259
ELYMUS CANADENSIS	PRAIRIE WILD RYE	129
MONARDA FISTULOSA	WILD BERGAMONT	259
PANICUM VIRGATUM	SWITCH GRASS	129
RATIBIDA PINNATA	YELLOW CONEFLOWER	259
SOLIDAGO RIGIDA	STIFF GOLDENROD	129
SPOROBOLUS HETEROLEPSIS	PRAIRIE DROPSEED	129
TRADESCANTIA OHIENSIS	SPIDERWORT	259
ZIZIA AUREA	GOLDEN ALEXANDER	129
		2587

Drawing File: W:\Projects\12509232 - Grand Blvd. Design - Engineer\Grand Blvd\_green.dwg Jan 06, 2012 - 1:35pm

**HANCOCK ENGINEERING**  
Civil Engineers  
Municipal Consultants  
Established 1911

**Living Waters CONSULTANTS**

DESIGNED - WOP, JG	REVISED - 01/06/12
DRAWN - MK, DMM	REVISED -
CHECKED - WOP, JG	REVISED -
DATE - 10-24-11	REVISED -

**STATE OF ILLINOIS  
DEPARTMENT OF TRANSPORTATION**

**MONROE AVENUE  
BIOSWALE PLACEMENT PLAN**

SCALE: 1"=20'  
SHEET NO. 2 OF 3 SHEETS

ROUTE NO. FAU 1694	SECTION 07-00122-01-PV	COUNTY COOK	TOTAL SHEETS 86	SHEET NO. 69
FIELD BOOK NO. -AERIAL-SILL		CONTRACT NO. 63651		
FED. ROAD DIST. NO. 1 ILLINOIS FED. AID PROJECT M-9003(875)				

H.E.E. PROJECT NO. 125-09-23201