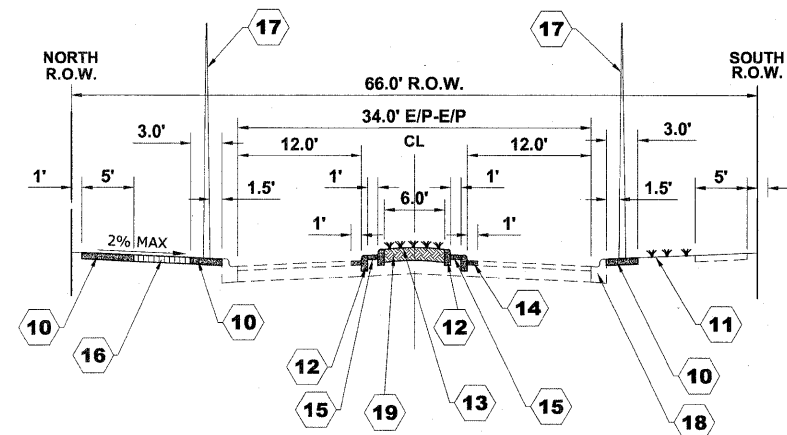


**EXISTING TYPICAL CROSS SECTION
DIVISION STREET**

STATION 1+00 TO STATION 3+70
 STATION 19+07 TO STATION 20+21
 STATION 21+22 TO STATION 22+36
 STATION 32+19 TO STATION 33+31
 STATION 34+42 TO STATION 35+54
 STATION 52+30 TO STATION 53+60



**PROPOSED TYPICAL CROSS SECTION
DIVISION STREET**

STATION 1+00 TO STATION 3+70
 STATION 19+07 TO STATION 20+21
 STATION 21+22 TO STATION 22+36
 STATION 32+19 TO STATION 33+31
 STATION 34+42 TO STATION 35+54
 STATION 52+30 TO STATION 53+60

TYPICAL CROSS SECTION LEGEND

EXISTING CONDITIONS

- 1 PORTLAND CEMENT CONCRETE SIDEWALK, 5"
- 2 COMBINATION CONCRETE CURB AND GUTTER, TYPE B-6.12
- 3 GRASS PARKWAY
- 4 HOT MIX ASPHALT BINDER AND SURFACE COURSE
- 5 HOT-MIX ASPHALT PAVEMENT REMOVAL

PROPOSED CONDITIONS

- 10 PORTLAND CEMENT CONCRETE SIDEWALK, 5" (INTERMITTENT)
- 11 TOPSOIL FURNISH AND PLACE, 6" SODDING, (INTERMITTENT REPLACEMENT)
- 12 CONCRETE CURB, TYPE B
- 13 PLANTED MEDIAN
- 14 INCIDENTAL HOT-MIX ASPHALT SURFACING
- 15 PLANTER CURB
- 16 BRICK PAVER SIDEWALK (INTERMITTENT)
- 17 SUPPORT POLE FOR OVERHEAD LIGHT STRANDS
- 18 COMBINATION CONCRETE CURB AND GUTTER, TYPE B-6.12 (SPECIAL) (INTERMITTENT)
- 19 TOPSOIL FURNISH AND PLACE, VARIABLE DEPTH

HOT-MIX ASPHALT (HMA) MIXTURE REQUIREMENTS

| MIXTURE TYPE | AIR VOIDS @ Ndes |
|--|------------------|
| INCIDENTAL HOT-MIX ASPHALT SURFACING | |
| HOT-MIX ASPHALT SURFACE COURSE, MIX "D", N50 (IL 9.5 mm) | 4% @ 50 GYR. |

THE UNIT WEIGHT USED TO CALCULATE ALL HMA SURFACE MIXTURE QUANTITIES IS 112 LBS/SQ YD/IN.

THE "AC TYPE" FOR POLYMERIZED HMA MIXES SHALL BE "SBS/SBR PG 76-22" AND FOR NON-POLYMERIZED HMA THE "AC TYPE" SHALL BE "PG 64-22" UNLESS MODIFIED BY DISTRICT ONE SPECIAL PROVISIONS. FOR "PERCENT OF RAP" SEE SPECIAL PROVISIONS.

Drawing file: W:\Projects\60011046 - Division Street IEP\DETAILS.dwg Nov. 10, 2011 - 9:10am



◆ Civil Engineers
 ◆ Municipal Consultants
 ◆ Established 1911

9933 Roosevelt Road
 Woodchester, Illinois 60156-2706
 Phone: 708/965-4396
 Fax: 708/965-1212

| | |
|-----------------|-----------|
| DESIGNED - ELS | REVISED - |
| DRAWN - MK, DMM | REVISED - |
| CHECKED - ELS | REVISED - |
| DATE - 11-02-11 | REVISED - |

STATE OF ILLINOIS
 DEPARTMENT OF TRANSPORTATION

TYPICAL CROSS SECTIONS

SCALE: NONE SHEET NO. 1 OF 1 SHEETS STA. TO STA.

| | | | | |
|---------------------------------|----------------|--------|------------------------------|-----------|
| F.A.U. RTE. | SECTION | COUNTY | TOTAL SHEETS | SHEET NO. |
| 1026 | 10-00116-00-SW | COOK | 40 | 5 |
| FED. ROAD DIST. NO. 1 ILLINOIS | | | CONTRACT NO. 63854 | |
| FED. AID PROJECT M-TE-60D1(025) | | | EHE PROJECT NO. 600-11-04602 | |