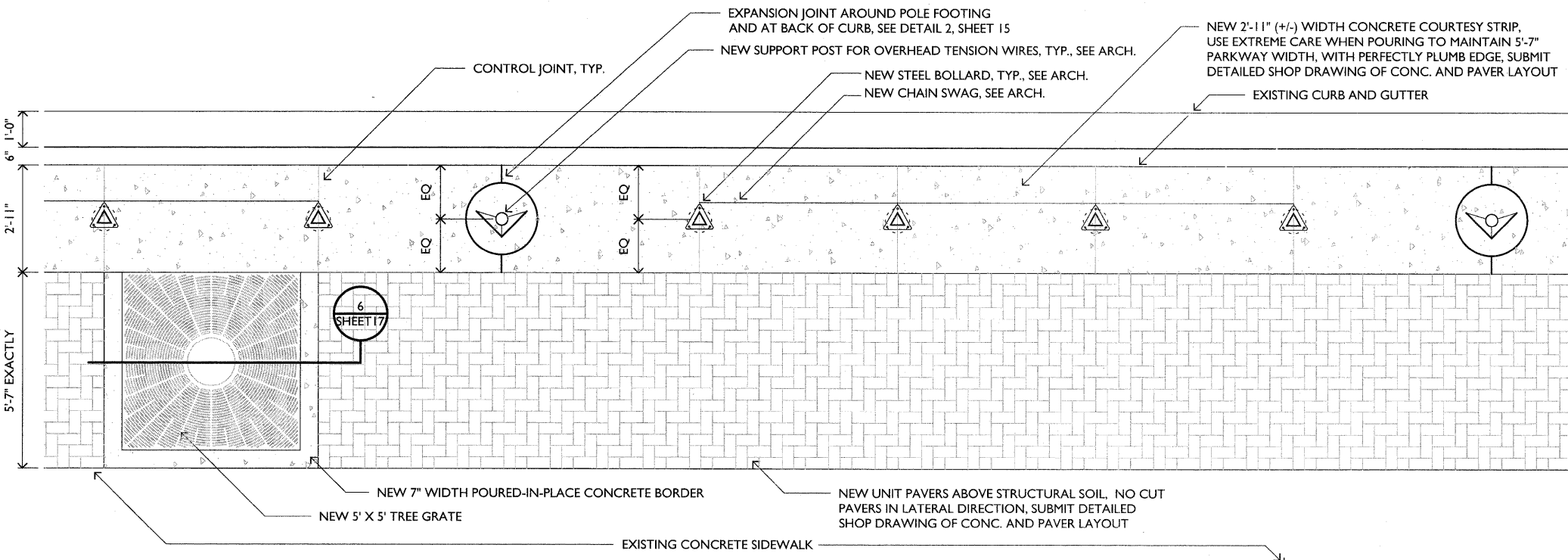


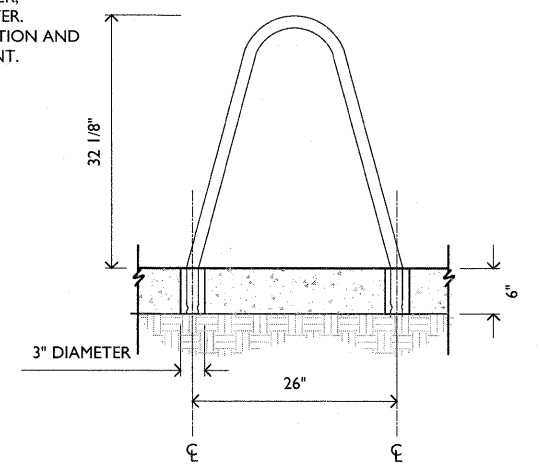
**ENLARGED LANDSCAPE PLAN AT 15TH AVENUE RESTAURANT DISTRICT**  
SCALE: 1/16" = 1'-0"



**2 TYPICAL PARTIAL PLAN - NORTHEAST AND SOUTHWEST PARKWAYS AT 15TH AVENUE RESTAURANT DISTRICT**  
SCALE: 1/2" = 1'-0"

**INSTALLATION:**

1. CORE DRILL 3" DIAMETER (MINIMUM) HOLE 6" DEEP.
2. PREPARE THE HOLES FOR OUTDOOR ANCHORING CEMENT, SUCH AS KWIXSET OR SUPER POR-ROK. FOLLOW THE MANUFACTURE'S INSTRUCTIONS FOR BLOWING OUT DUST, FILLING WITH WATER, SCRUBBING, AND REMOVING EXCESS WATER.
3. PLACE THE BIKE RACK BACK INTO POSITION AND FILL THE HOLES WITH ANCHORING CEMENT.



**3 BIKE RACK INSTALLATION DETAIL**  
SCALE: 1" = 1'-0"



WOLFF LANDSCAPE ARCHITECTURE  
EDWARD WINDHORST JAMES GORSKI ARCHITECTS

DESIGNED -	TGW / PMB	REVISED -	
DRAWN -	PMB	REVISED -	
CHECKED -	TGW	REVISED -	
DATE -	11.02.11	REVISED -	

STATE OF ILLINOIS  
DEPARTMENT OF TRANSPORTATION

DIVISION STREET ENLARGED PLANS, 15TH AVE.

SCALE: SHEET NO. 19 OF 40 SHEETS STA. TO STA.

F.A.U. RTE.	SECTION	COUNTY	TOTAL SHEETS	SHEET NO.
1026	10-00116-00-SW	COOK	40	19
FED. ROAD DIST. NO. 1 ILLINOIS			CONTRACT NO. 63654 FED. AID PROJ. M-TE-00D1(825)	