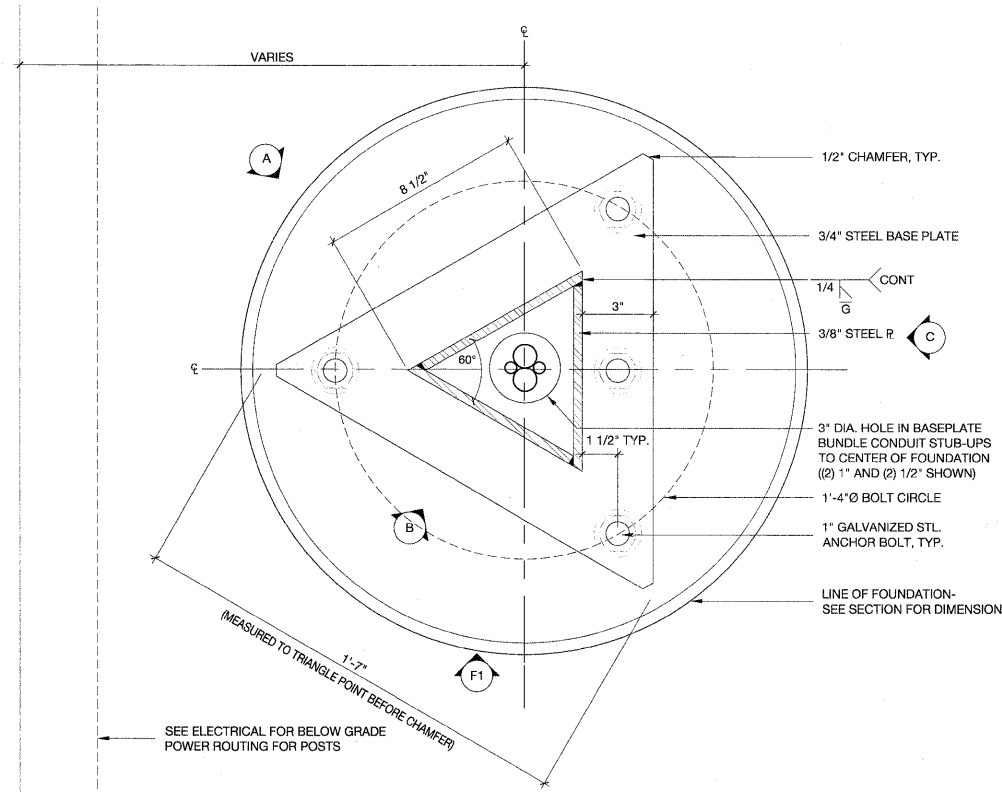


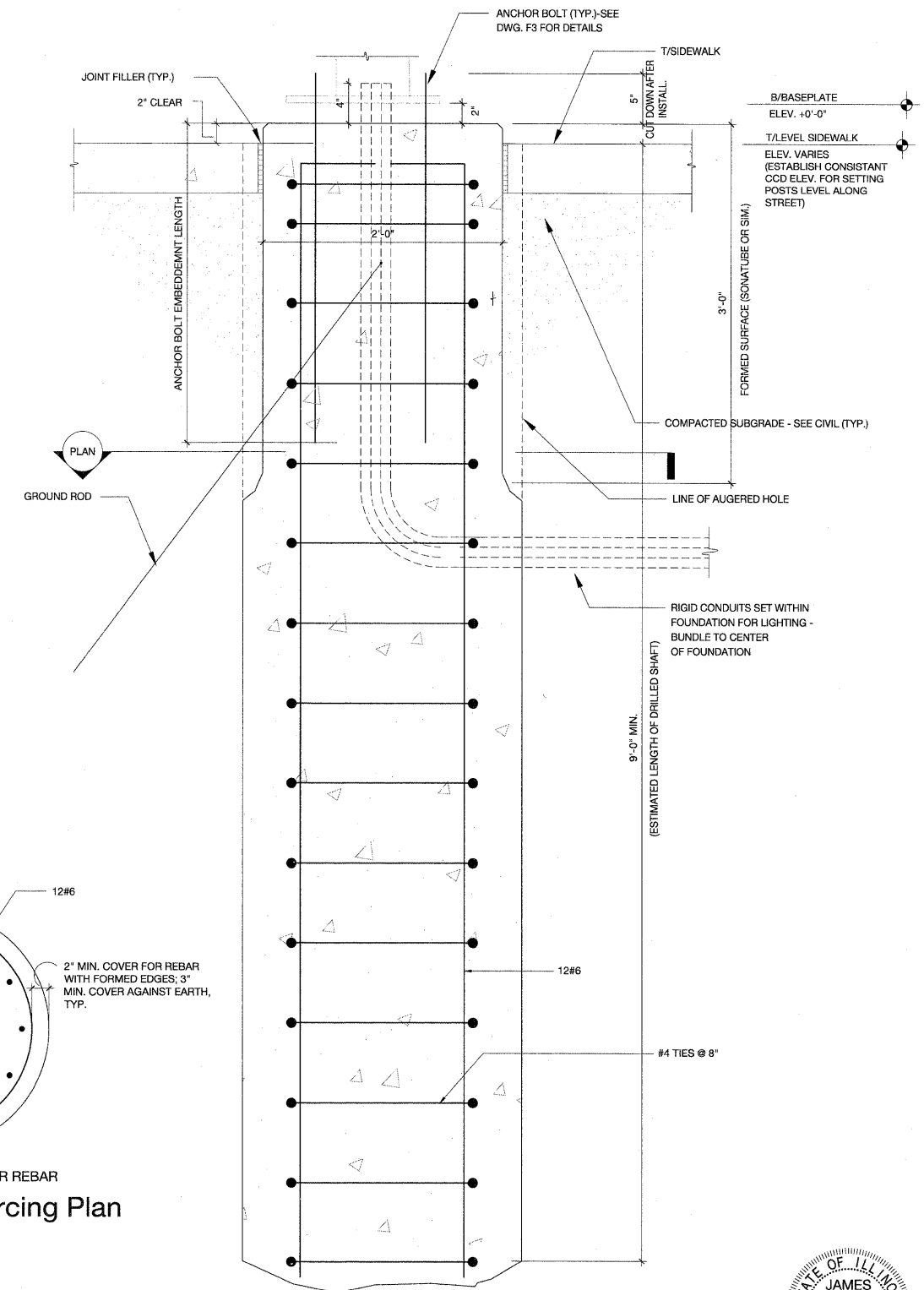
Special Post Detail for E1 Cable to Cable Connection

SCALE: 1-1/2"=1'-0"



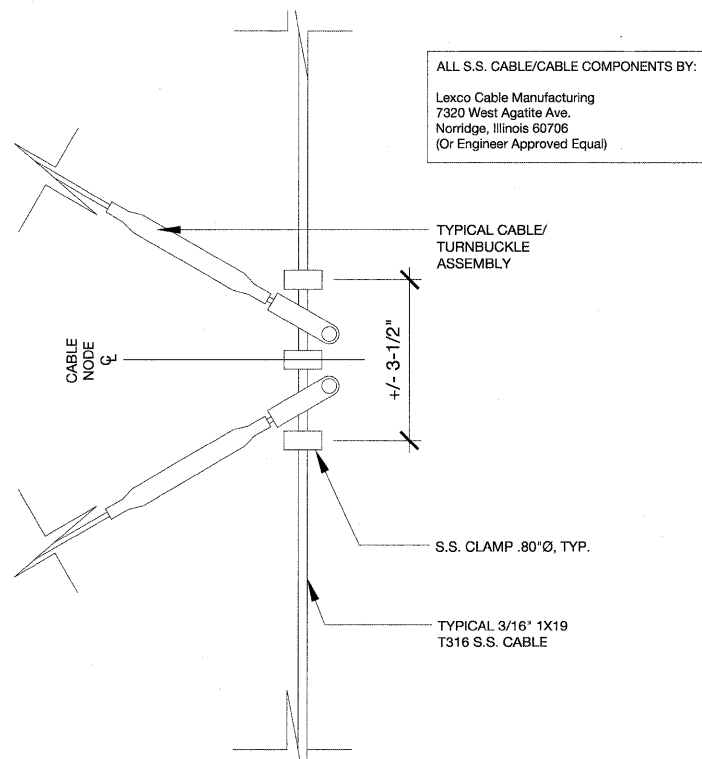
E4 Plan at Post Baseplate

SCALE: 3"=1'-0"



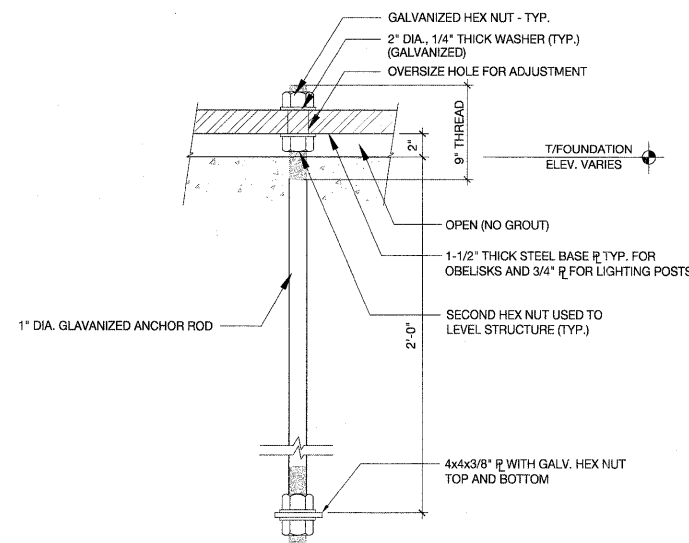
F6 Section Through Monument Foundation - Type A

SCALE: 1-1/2"=1'-0"



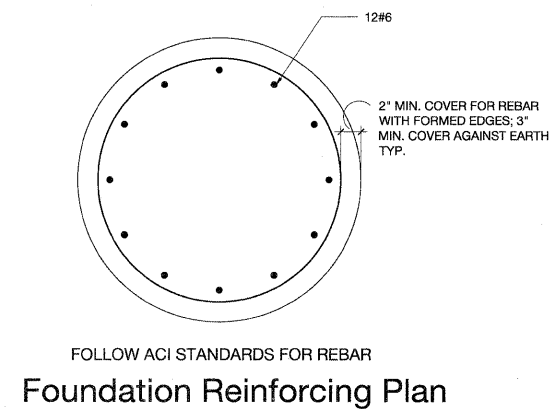
F1 Cable to Cable Connection, Typ.

SCALE: 1-1/2"=1'-0"

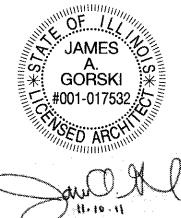


F3 Anchor Rod Detail, Typ.

SCALE: 1-1/2"=1'-0"



Foundation Reinforcing Plan



WOLFF LANDSCAPE ARCHITECTURE
EDWARD WINDHORST JAMES GORSKI ARCHITECTS
GOODFRIEND MAGRUDER STRUCTURE

DESIGNED	EW	REVISED	-
DRAWN	JG	REVISED	-
CHECKED	JG	REVISED	-
DATE	08/15/11	REVISED	-

STATE OF ILLINOIS
DEPARTMENT OF TRANSPORTATION

Steel Post for Overhead Decorative
Lighting System

SCALE: SHEET NO. OF SHEETS STA. TO STA.

F.A.U. RTE.	SECTION	COUNTY	TOTAL SHEETS	SHEET NO.
1026	10-00116-00-SW	COOK	40	22
FED. ROAD DIST. NO. 1 ILLINOIS		CONTRACT NO. 63654		
FED. AID PROJECT M-TE-001(025)		EHE PROJECT NO. 600-11-04602		