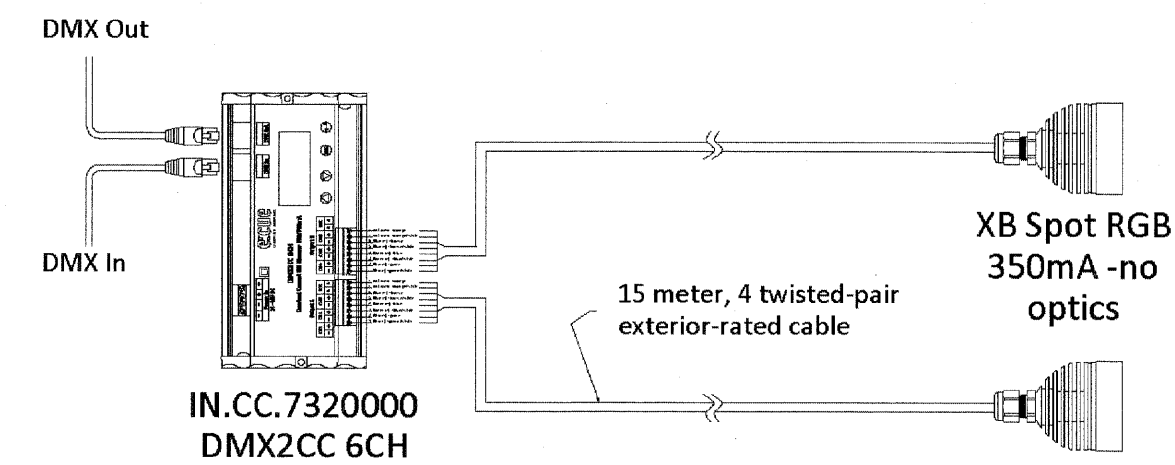


TX104 Sheet Notes:

1. System voltage range (100-240v AC).
2. All Cat5 data cable to be provided by others.
3. XB Spot Fixtures to be housed in weather-proof enclosed fixture. Fixture and globe tbd.
4. Maximum distance between Butler XT and DMX2CC is not to exceed 100 meters.
5. Leader cable on XB-Spot Fixtures to be 15 meters.
6. All DMX2CCs and power supplies to be located in base of Obelisk.
7. Butler XTs and DMX2CCs to be installed in Weather-Rated enclosures.
8. Fixtures should be handled with care in a static-free environment.
9. Wiring layout shown for wiring clarity. Actual layout may vary.



1 Central Node Obelisk Wiring Diagram
TX104 SCALE: NTS

2 DMX2CC Fixture Connection Detail
TX104 SCALE: N.T.S.

NOTE:
ALL REFERENCE TO A PARTICULAR MANUFACTURER IS FOR GENERAL PURPOSES AND THAT AN ENGINEER APPROVED EQUAL IS ACCEPTABLE.

Drawing file: W:\Projects\60011046 - Division Street IEPA Wiring Diagrams.dwg Nov 10, 2011 - 10:32am

HANCOCK ENGINEERING
 ♦ Civil Engineers
 ♦ Municipal Consultants
 ♦ Established 1911
 9933 Roosevelt Road
 Woodstock, Illinois 60154-2780
 Phone: 708/965-4390
 Fax: 708/965-2312

DESIGNED - ELS	REVISED -
DRAWN - MK, DMM	REVISED -
CHECKED - ELS	REVISED -
DATE - 11-02-11	REVISED -

**STATE OF ILLINOIS
DEPARTMENT OF TRANSPORTATION**

WIRING DIAGRAMS
SCALE: NONE SHEET NO. 4 OF 6 SHEETS STA. TO STA.

F.A.U. RTE.	SECTION	COUNTY	TOTAL SHEETS	SHEET NO.
1026	10-00116-00-SW	COOK	40	35
FED. ROAD DIST. NO. 1 ILLINOIS FED. AID PROJECT M-TE-00D1(825)			CONTRACT NO. 63654	