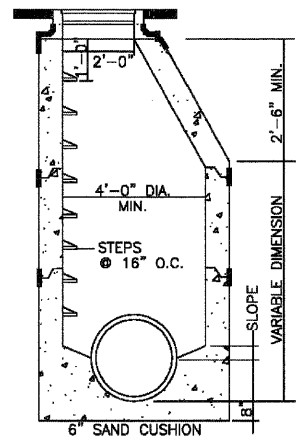
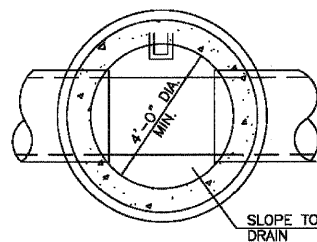


DATE: _____ BY: _____
 SURVEYED: _____ ALLOTTMENT CHECKED: _____
 PLAN: _____ NOTE BOOK: _____
 DATE: _____ BY: _____
 SURVEYED: _____ ALLOTTMENT CHECKED: _____
 PROFILE: _____ NOTE BOOK: _____

CHRISTOPHER B. BURKE ENGINEERING LTD.
 9575 West Higgins Road, Suite 600
 Rosemont, Illinois 60018
 (815) 823-9300



PROFILE VIEW



PLAN VIEW

SANITARY MANHOLE - TYPE A

MATERIALS:

FRAME AND LID
 EQUAL TO EAST JORDAN IRON WORKS CATALOG NO. 1050-Z1 WITH 1" CONCEALED PICK HOLE AND THE WORD "SANITARY" AND VILLAGE OF ALGONQUIN LOGO CAST IN LID.

WALLS
 PRECAST REINFORCED CONCRETE RISER UNITS. MINIMUM THICKNESSES:
 5" FOR 4'-0" INSIDE DIAMETER
 6" FOR 5'-0" INSIDE DIAMETER

BOTTOM
 PRECAST REINFORCED AND CAST INTEGRAL WITH FIRST VERTICAL SECTION.

RISER JOINTS AND FRAME AND COVER
 ALL JOINTS BETWEEN PRE-CAST ELEMENTS, ADJUSTING RINGS AND MANHOLE FRAMES ON ALL UNDERGROUND STRUCTURES, SHALL BE SET IN PLACE WITH ONE OF THE FOLLOWING BUTYL RUBBER JOINT SEALANTS: CONCRETE PRODUCTS SUPPLY CO. - EZ STIK 8, HAMILTON-KENT GASKET CO. - KENT SEAL, OR EQUAL, AS APPROVED BY DISTRICT ENGINEER AND ALL JOINTS TO BE TUCKPOINTED WITH HYDRAULIC CEMENT. BARREL SECTIONS SHALL BE SEALED USING A BUTYL RUBBER MATERIAL STRIP AND /OR RUBBER GASKET AND A NINE INCH (9") "MACWRAP" EXTERNAL SEAL BAND OR APPROVED EQUAL.

ADJUSTING RINGS
 A MAXIMUM OF 8" OF ADJUSTING MAY BE USED.

PIPE CONNECTION
 ALL SANITARY SEWER MANHOLES SHALL BE CONSTRUCTED WITH FLEXIBLE MANHOLE COUPLING AS MANUFACTURED BY INTERPACE CORPORATION (LOCKJOINT FLEXIBLE MANHOLE SLEEVE) PRESS-SEAL GASKET CORPORATION (PRESS WEDGE II), OR EQUAL AS APPROVED BY UTILITIES SUPERINTENDENT. ALL MATERIALS AND INSTALLATION PROCEDURES SHALL COMPLY WITH THOSE SPECIFIED BY THE MANUFACTURER OR ENGINEER.

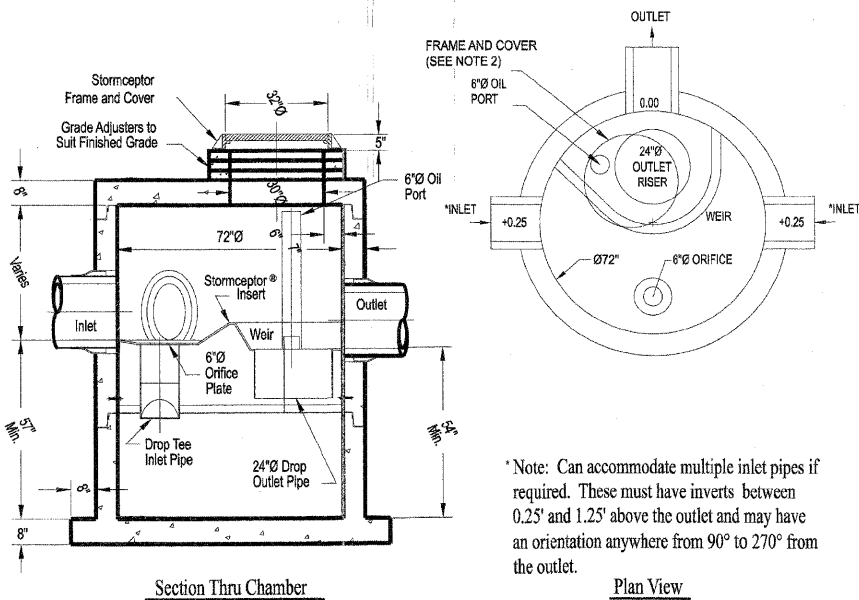
STEPS
 STEPS SHALL BE MADE OF STEEL REINFORCED PLASTIC USING AN APPROVED PLASTIC MEETING ASTM D4101, TYPE B, GRADE 4910B, OVER #3 GRADE 60, ASTM A615, REINFORCING BAR. STEPS SHALL BE AT 16" CENTERS.

CHIMNEY SEALS
 SHALL BE CANUSA WRAP SEAL MANHOLE ENCAPSULATION SYSTEM OR ADAPTOR INC. SYSTEM APPROVED BY UTILITY SUPERINTENDENT WHICH WILL CAPTURE AT LEAST 4" OF FRAME, ALL ADJUSTING RINGS AND 4" OF THE PRECAST ECCENTRIC CONE SECTION.

INSIDE DIAMETERS:
 4'-0" FOR 18" MAIN SEWER AND UNDER FOR MANHOLES 20 FOOT DEEP OR LESS
 5'-0" FOR 21" TO 42" MAIN SEWER FOR MANHOLES 20 FOOT DEEP OR MORE BOTH INCLUSIVE

NOTES:
 FOR STRUCTURES IN FLOODPLAIN MUST HAVE RIM 24" ABOVE BASE FLOOD ELEVATION AND WATER TIGHT LOCK TYPE FRAME AND COVER, NEEMAH R-1916C OR APPROVED EQUAL WITH THE WORD "SANITARY" CAST IN LID.
 ALL EXTERIOR SURFACES SHALL HAVE A BITUMINOUS COATING FACTORY APPLIED.

STC 900 Precast Concrete Stormceptor®
(900 U.S. Gallon Capacity)
(OR APPROVED EQUAL)
Multi Inlet Application



Section Thru Chamber

Plan View

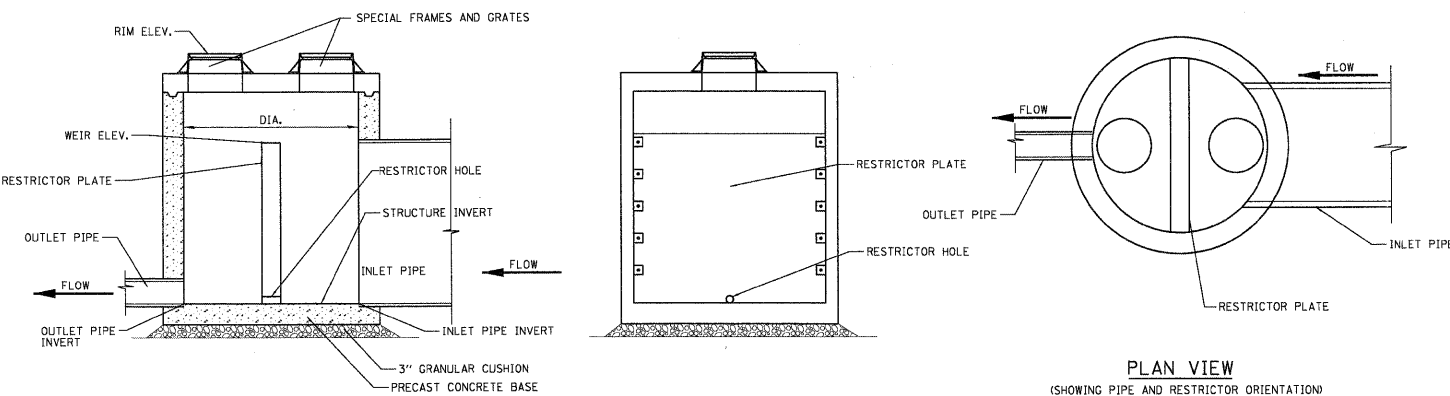
*Note: Can accommodate multiple inlet pipes if required. These must have inverts between 0.25' and 1.25' above the outlet and may have an orientation anywhere from 90° to 270° from the outlet.

Notes:

1. The Use Of Flexible Connection is Recommended at The Inlet and Outlet Where Applicable.
2. The Cover Should be Positioned Over The Outlet Drop Pipe and The Oil Port.
3. The Stormceptor System is protected by one or more of the following U.S. Patents: #4985148, #5498331, #5725760, #5753115, #5849181, #6068765, #6371690.
4. Contact a Concrete Pipe Division representative for further details not listed on this drawing.

STORM WATER TREATMENT SYSTEM

Rinker 049 II-WI

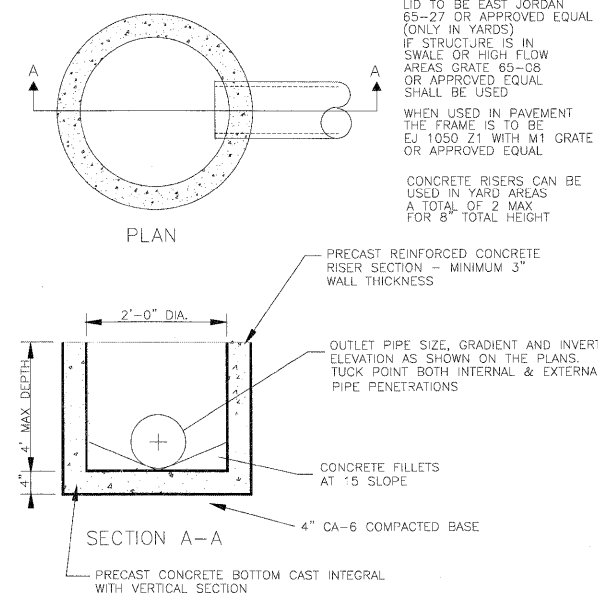


SECTION

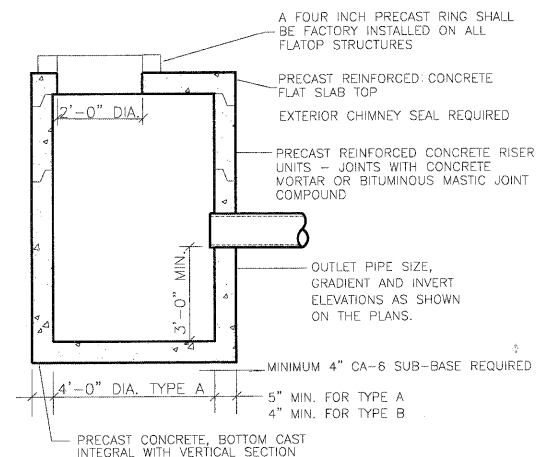
PLATE ELEVATION VIEW

STRUCTURE #	RIM	WEIR ELEV 50 YR (FT)	RESTRICTOR DIA. (IN)	RESTRICTOR, INLET AND OUTLET INVERT ELEV (FT)	STRUCTURE INVERT (FT)	INLET PIPE DIA (IN)	OUTLET PIPE DIA (IN)
S106	864.96	862.32	4"	857.32	857.32	60"	12"
S608	778.18	774.50	6.5"	767.50	767.50	84"	36"
S806	756.36	752.07	9"	748.07	748.07	48"	24"

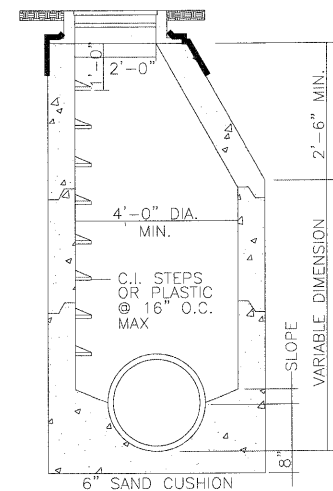
MANHOLES, WITH RESTRICTOR PLATE DETAIL
 N.T.S.



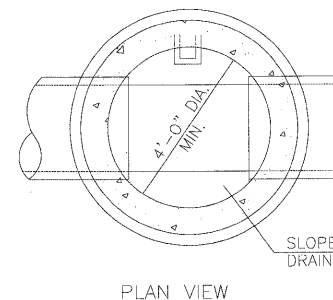
INLET - TYPE A



CATCH BASIN (TYPE A & TYPE B)



PROFILE



PLAN VIEW

STORM MANHOLE - TYPE A

MATERIALS:

FRAME AND LID
 EQUAL TO EAST JORDAN IRON WORKS, CATALOG NO. 1050-Z1 OR APPROVED EQUAL WITH - 1" CONCEALED PICK HOLE AND THE WORD "STORM" AND VILLAGE OF ALGONQUIN LOGO CAST IN LID.

CHIMNEY SEAL
 TO BE CANUSA RAPID SEAL TYPE OR APPROVED EQUAL AND IS TO CAPTURE 4" OF FRAME ALL RINGS AND 4" OF BARREL SECTION.

WALLS
 PRECAST REINFORCED CONCRETE RISER UNITS. MINIMUM THICKNESSES:
 5" FOR 4'-0" INSIDE DIAMETER
 6" FOR 5'-0" INSIDE DIAMETER

BOTTOM
 PRECAST REINFORCED AND CAST INTEGRAL WITH FIRST VERTICAL SECTION.

RISER JOINTS AND FRAME AND COVER
 ALL JOINTS BETWEEN PRE-CAST ELEMENTS, ADJUSTING RINGS AND MANHOLE FRAMES ON ALL UNDERGROUND STRUCTURES, SHALL BE SET IN PLACE WITH ONE OF THE FOLLOWING BUTYL RUBBER JOINT SEALANTS: CONCRETE PRODUCTS SUPPLY CO. - EZ STIK 8, HAMILTON-KENT GASKET CO. - KENT SEAL, OR EQUAL, AS APPROVED BY DISTRICT ENGINEER AND ALL JOINTS TO BE TUCKPOINTED WITH HYDRAULIC CEMENT.

INSIDE DIAMETERS:
 4'-0" FOR 18" MAIN SEWER AND UNDER FOR MANHOLES 20 DEEP OR LESS
 5'-0" FOR 21" TO 42" MAIN SEWER FOR MANHOLES 20 DEEP OR DEEPER BOTH INCLUSIVE

ADJUSTMENT RINGS
 TOP ADJUSTMENT RING OR RISER RING TO BE "INFRA-RISER" TYPE OR RECYCLED RUBBER OR APPROVED EQUAL TOTAL OF 3 RINGS MAYBE USED FOR A 8" MAX ADJUSTMENT

NOTE:
 TUCK POINT BOTH THE INTERNAL & EXTERNAL PIPE PENETRATIONS OF THE STORM SEWER MANHOLE

FILE NAME = N:\ALGONQUIN\278273\20026\civi\1\DET_07273.2.SHT	USER NAME = mwarman	DESIGNED -	REVISED -	STATE OF ILLINOIS DEPARTMENT OF TRANSPORTATION	EDGEWOOD DRIVE IMPROVEMENTS CONSTRUCTION DETAILS	F.A.U. RTE. 4010	SECTION 09-00078-00-WR	COUNTY McHENRY	TOTAL SHEETS 128	SHEET NO. 50		
PLOT SCALE = 1/8"	PLOT DATE = 11/16/2011	DRAWN -	REVISED -			SCALE:	SHEET NO. OF SHEETS STA. TO STA.	ILLINOIS FED. AID PROJECT				
		CHECKED -	REVISED -									
		DATE -	REVISED -									