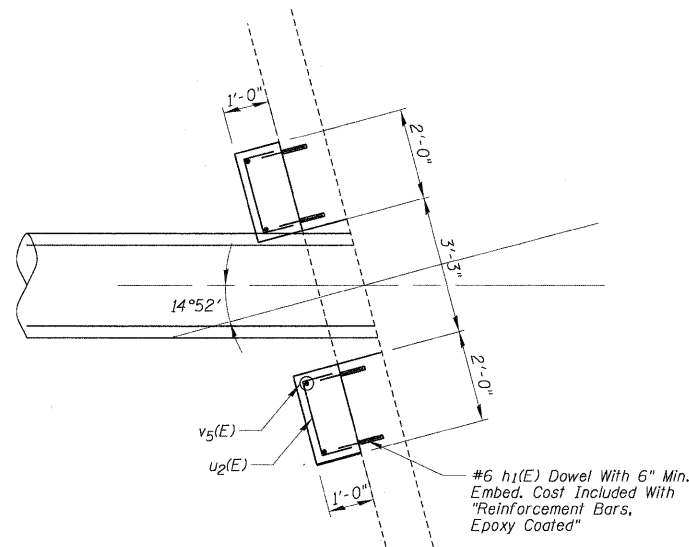
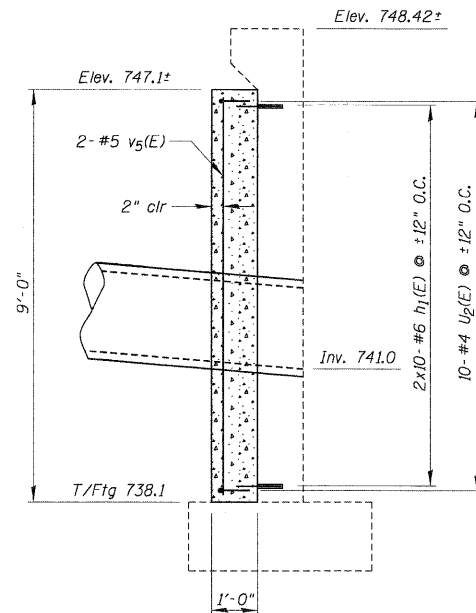


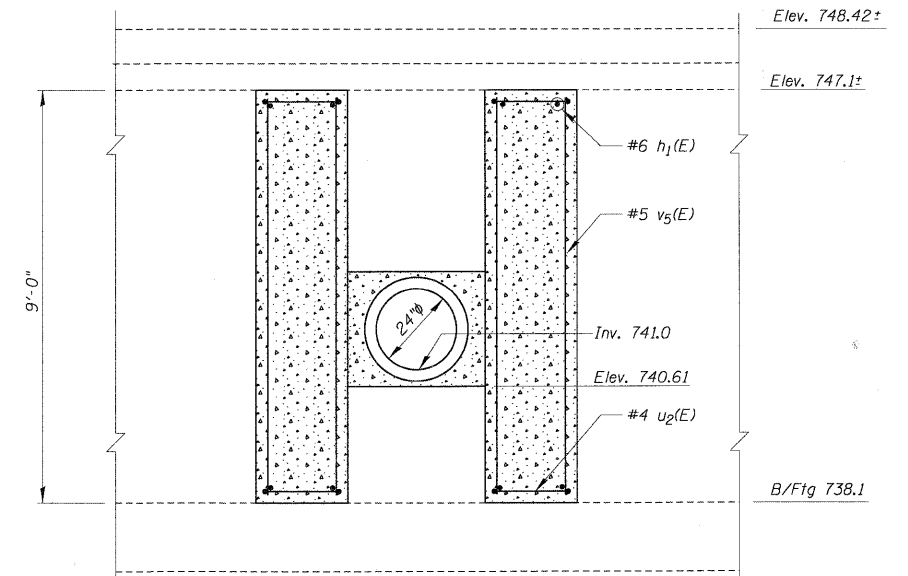
STATE OF ILLINOIS  
DEPARTMENT OF TRANSPORTATION



PLAN - SHOWING 21" PIPE PENETRATION



SECTION - SHOWING 21" PIPE PENETRATION



ELEVATION - SHOWING 21" PIPE PENETRATION

DESIGNED -	EXAMINED _____
CHECKED -	PASSED _____
DRAWN -	ENGINEER OF BRIDGE DESIGN
CHECKED -	ENGINEER OF BRIDGES AND STRUCTURES

WEST ABUTMENT PIPE  
PENETRATION DETAILS  
EDGEWOOD DRIVE OVER  
RATT CREEK  
F.A.U. RTE. 4010  
SECTION 09-00078-00-WR  
MCHENRY COUNTY  
STRUCTURE No. 056-3101  
STA. 140+85.43

SHEET NO. S-16 SHEETS	F.A. RTE.	SECTION	COUNTY	TOTAL SHEETS	SHEET NO.
	4010	09-00078-00-WR	MCHENRY	128	74
CONTRACT NO. 63655					
FED. ROAD DIST. NO.		ILLINOIS	FED. AID PROJECT		