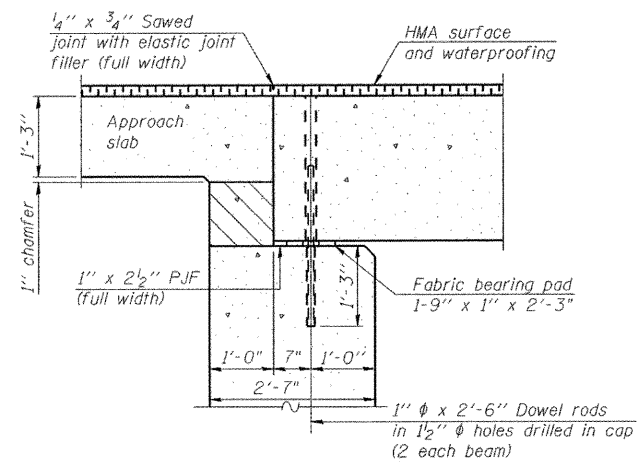
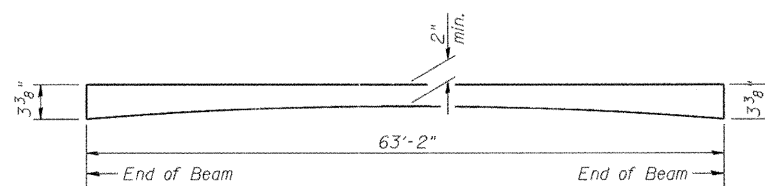


**CROSS SECTION**

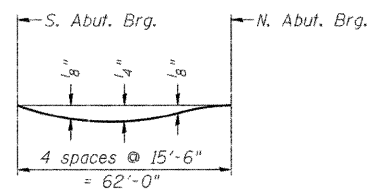


**SECTION THRU FIXED ABUTMENTS**  
(Dimensions are at Rt. L's)

Notes:  
 After beams have been erected, holes shall be drilled into substructure and anchor dowels placed. Dowel holes shall be filled with non-shrink grout to top of beam and allowed to cure min. 24 hrs. prior to grouting the shear keys.  
 All horizontal dimensions are at right angles to beam ends.  
 See sheet 18 and 20 For bearing pad details.  
 Hatched area to be poured after beams have been erected and shear keys grouted.



**BITUMINOUS WEARING SURFACE PROFILE**



**DEAD LOAD DEFLECTION DIAGRAM**  
(Includes weight of HMA only.)

**NOTES**

Drill and Grout bars shall be installed according to Article 521.06 & 584 of the Standard Specifications.

**BILL OF MATERIAL**

Item	Unit	Quantity
Waterproofing Membrane System (Special)	Sq. Yd.	183
Portland Cement Mortar Fairing Course	Foot	443