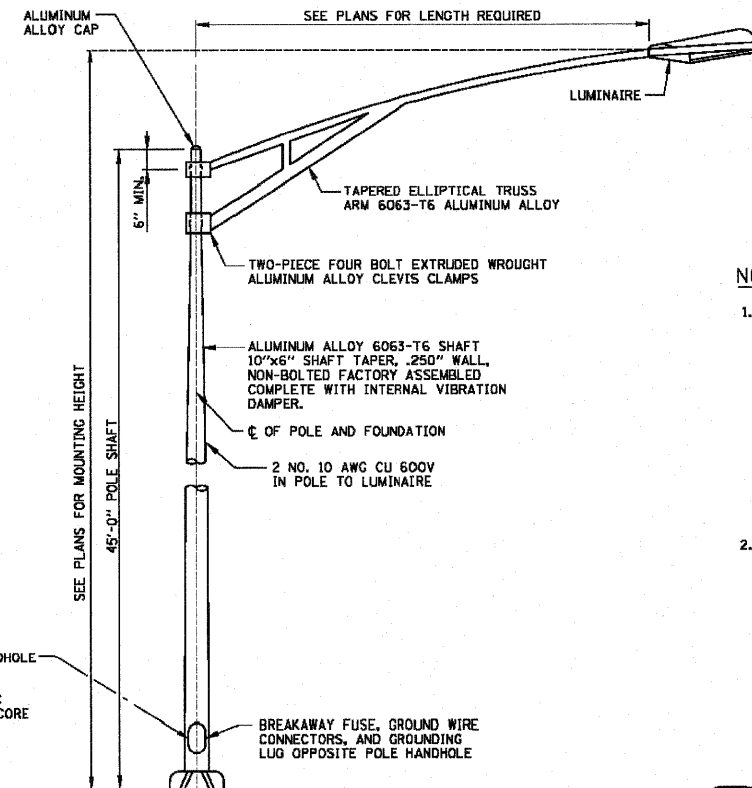
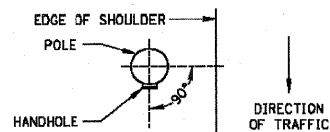


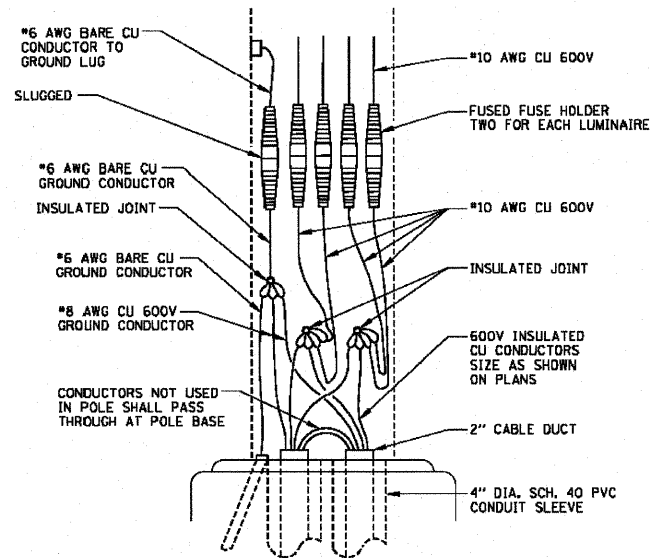
TWIN MAST LIGHT STANDARD DETAIL
NO SCALE



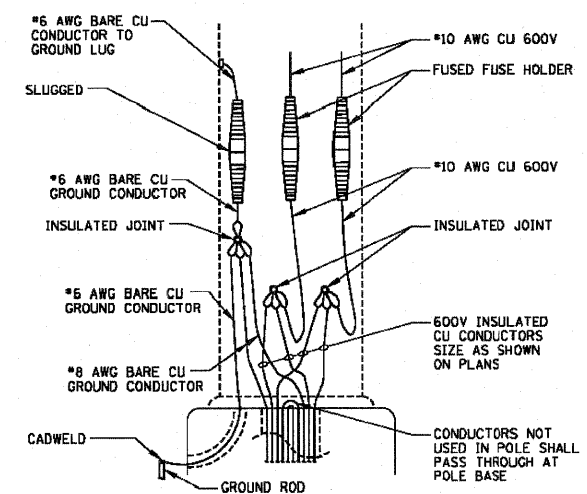
SINGLE MAST LIGHT STANDARD DETAIL
NO SCALE



HANDHOLE ORIENTATION



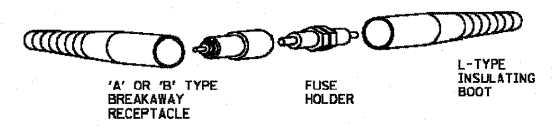
TWIN MAST POLE BASE WIRING DIAGRAM
NO SCALE



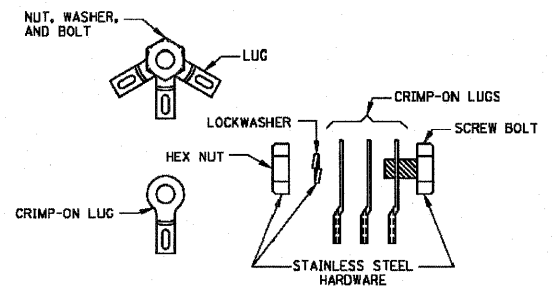
SINGLE MAST POLE BASE WIRING DIAGRAM
NO SCALE

NOTES:

- ALL LIGHT STANDARDS, BOTH NEW AND EXISTING, ARE SHOWN ON PLANS WITH THE FOLLOWING SAMPLE DESCRIPTION:
 MOUNTING HEIGHT
 ARM LENGTH
 SPACING RANGE
 CIRCUIT NUMBER
 STATION OF LIGHT STANDARD
 STA. 0 + 20
 DISTRIBUTION TYPE
 CONTROL:
 S=SEMI-CUTOFF
 C=FULL CUTOFF
- FOR STRUCTURAL DETAILS OF MEDIAN BARRIER AND CAISSON, SEE STANDARD H8 (MEDIAN BARRIER LIGHT POLE FOUNDATION DETAILS), STANDARD H9 (MEDIAN BARRIER LIGHT POLE FOUNDATION DETAILS - TYPE 4 RETROFIT, 32" BARRIER) OR STRUCTURAL PLANS.



IN-THE-LINE FUSE HOLDER DETAIL
WITH BREAKAWAY FEATURE
NO SCALE



JOINT ASSEMBLY DETAILS
NO SCALE

APPROVED: *Jeff Haly*
CHIEF ENGINEER DATE 1-1-2007...



DATE	REVISIONS

LIGHT STANDARD POLE WIRING				
STANDARD H2-00				
Rev. 1-9-12				