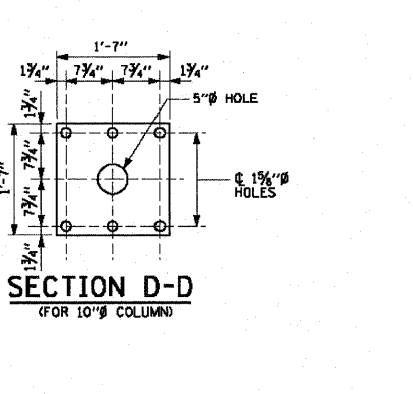
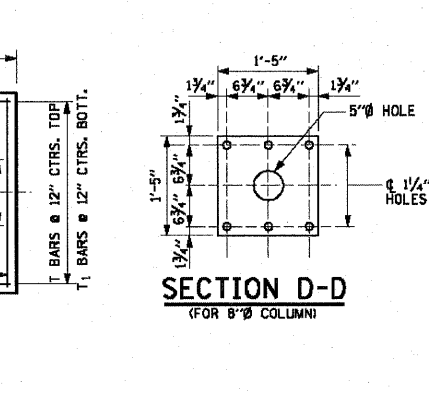
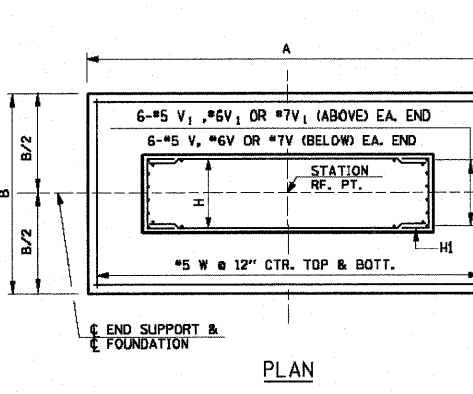
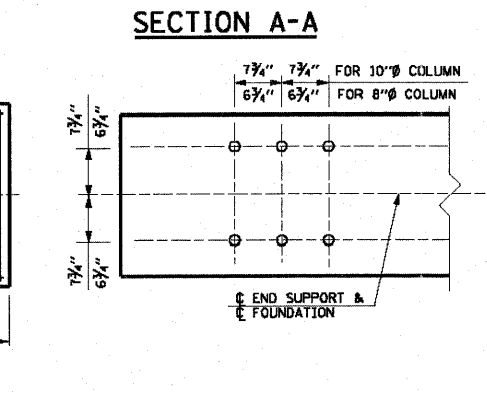
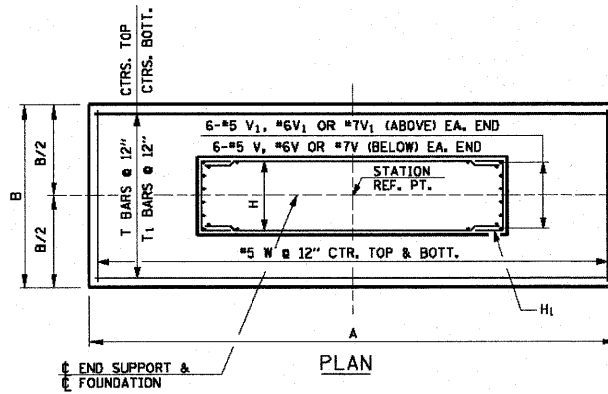
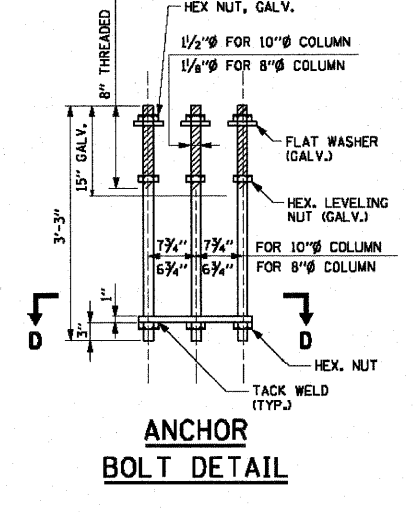
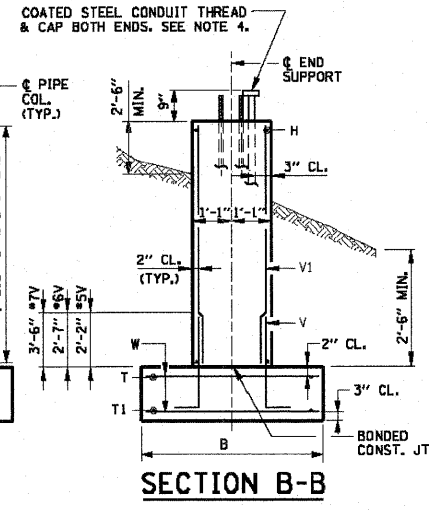
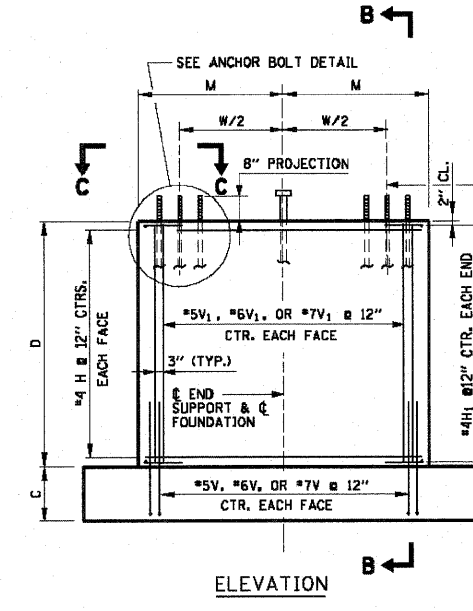
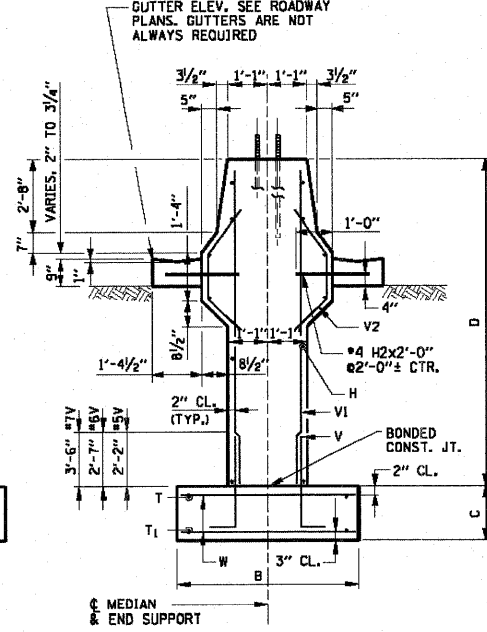
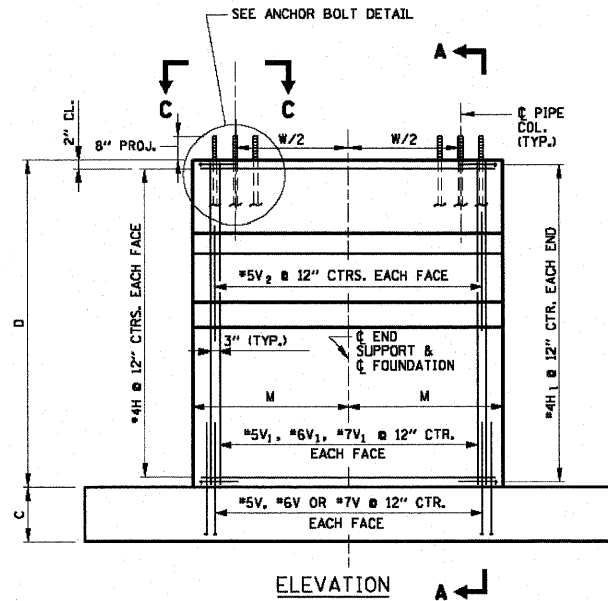


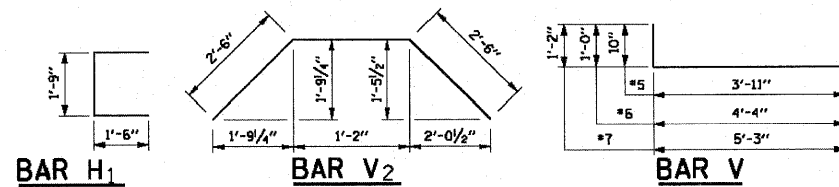
NOTE: SEE IDOT DETAIL SHEET OS4-MED2 FOR DETAILS ON LEFT FOUNDATIONS AT STATIONS 126+72 RT & 147+40 RT.

SIGN LOCATION	TRUSS NO.	LEFT FOUNDATION		RIGHT FOUNDATION			
		TYPE	ELEVATION TOP	ELEVATION BOTTOM	TYPE	ELEVATION TOP	ELEVATION BOTTOM
STA: 120+90 RT	T-90	100F	789.36	780.36	100S	784.0	774.0
STA: 126+72 RT	T-105				120S	781.8	771.8
STA: 147+40 RT	T-90				100S	780.83	770.83



FOUNDATION SCHEDULE

FOUNDATION TYPE	LOCATION	DIMENSIONS					REINFORCEMENT																				CONCRETE IN CU. YDS.	REINF. BARS IN LBS.										
		A	B	C	D	M	BAR T OR T1		BAR W		BAR V		BAR V1		BAR V2		BAR H		BAR H1		BAR H2																	
							NO.	SIZE	LENGTH	SHAPE	NO.	SIZE	LENGTH	SHAPE	NO.	SIZE	LENGTH	SHAPE	NO.	SIZE	LENGTH	SHAPE	NO.	SIZE	LENGTH	SHAPE	NO.	SIZE	LENGTH	SHAPE	NO.							
80F	MEDIAN	20'-0"	8'-9"	2'-0"	7'-0"	4'-0"	9	#6	#7	19'-8"		40	#5	8'-5"		28	#5	4'-9"		28	#5	6'-10"		16	#5	6'-2"		14	#4	7'-8"		14	#4	4'-9"		10	18.6	1550
80S	OUTSIDE	20'-0"	8'-9"	2'-0"	8'-0"	4'-0"	9	#6	#7	19'-8"		40	#5	8'-5"		28	#5	4'-9"		28	#5	7'-10"		16	#4	7'-8"		16	#4	4'-9"		16	#4	4'-9"		10	18.1	1480
100F	MEDIAN	22'-0"	10'-0"	2'-0"	7'-0"	5'-3"	10	#6	#7	21'-8"		44	#5	9'-8"		34	#6	5'-4"		34	#6	6'-10"		22	#5	6'-2"		14	#4	10'-2"		14	#4	4'-9"		12	23.7	2130
100S	OUTSIDE	22'-0"	10'-0"	2'-0"	8'-0"	5'-3"	10	#6	#7	21'-8"		44	#5	9'-8"		34	#6	5'-4"		34	#6	7'-10"		16	#4	10'-2"		16	#4	4'-9"		16	#4	4'-9"		12	23.1	2050
120F	MEDIAN	24'-0"	10'-0"	2'-0"	7'-0"	6'-0"	10	#7	#8	23'-8"		48	#5	9'-8"		36	#7	6'-5"		36	#7	6'-10"		24	#5	6'-2"		14	#4	11'-8"		14	#4	4'-9"		14	26.2	2910
120S	OUTSIDE	24'-0"	10'-0"	2'-0"	8'-0"	6'-0"	10	#7	#8	23'-8"		48	#5	9'-8"		36	#7	6'-5"		36	#7	7'-10"		16	#4	11'-8"		16	#4	4'-9"		16	#4	4'-9"		14	25.5	2830



NOTES:

- MINIMUM ALLOWABLE SOIL BEARING PRESSURE NOT TO BE LESS THAN 3000 P.S.F.
- ALL MATERIAL, FABRICATION AND CONSTRUCTION REQUIREMENTS SHALL BE IN ACCORDANCE WITH SECTION 734 OF THE IDOT STANDARD SPECIFICATIONS.
- ALL REBARS SHALL BE EPOXY COATED.
- FOR SIZE AND NUMBER OF COATED STEEL CONDUITS, SEE CONSTRUCTION ELECTRICAL DRAWINGS.
- SOIL CONDITIONS AT THE BOTTOM OF THE FOUNDATION EXCAVATION SHALL BE FIELD VERIFIED TO CONFIRM THAT THEY ARE CONSISTENT WITH THE SOIL BORING LOGS.

DATE	REVISIONS



OVERHEAD SIGN STRUCTURE
SPAN TYPE, "F" BARRIER FOUNDATION
STANDARD F3-00

Rev. 1-9-12



USER NAME =	DESIGNED -	REVISOR -
PLOT SCALE =	CHECKED - DW	REVISOR -
PLOT DATE = 12/20/2011	DRAWN - JDH	REVISOR -
	DATE - 10-21-2011	REVISOR -

STATE OF ILLINOIS
DEPARTMENT OF TRANSPORTATION

OVERHEAD SIGN STRUCTURE
SPAN TYPE, "F" BARRIER FOUNDATION
SHEET NO. 1 OF 1 SHEETS

F.A. RTE.	SECTION	COUNTY	TOTAL SHEETS	SHEET NO.
90	(X2-1) R	WINNEBAGO	510	343
CONTRACT NO. 64C29			ILLINOIS FED. AID PROJECT	