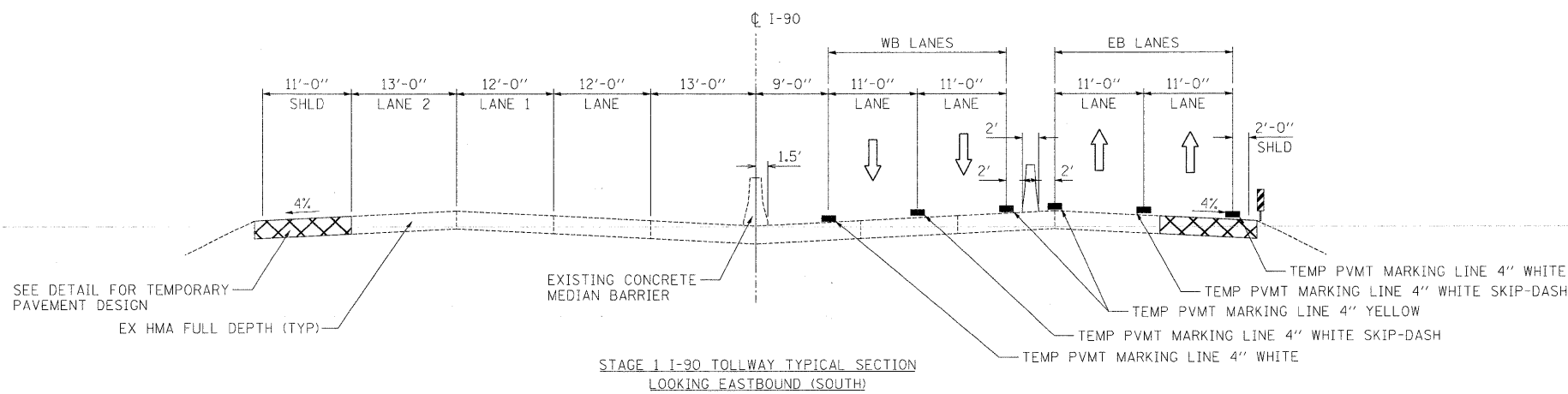
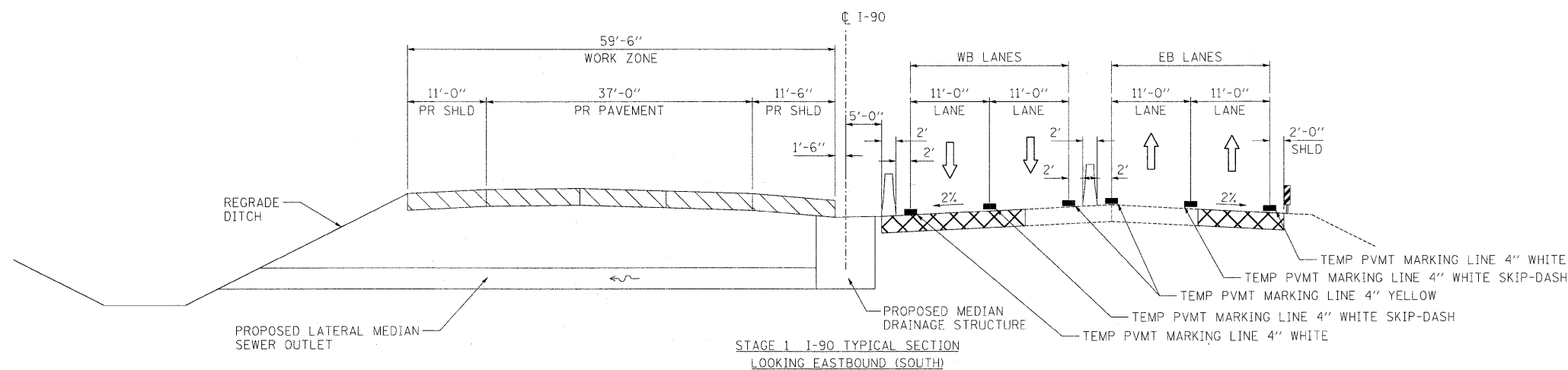
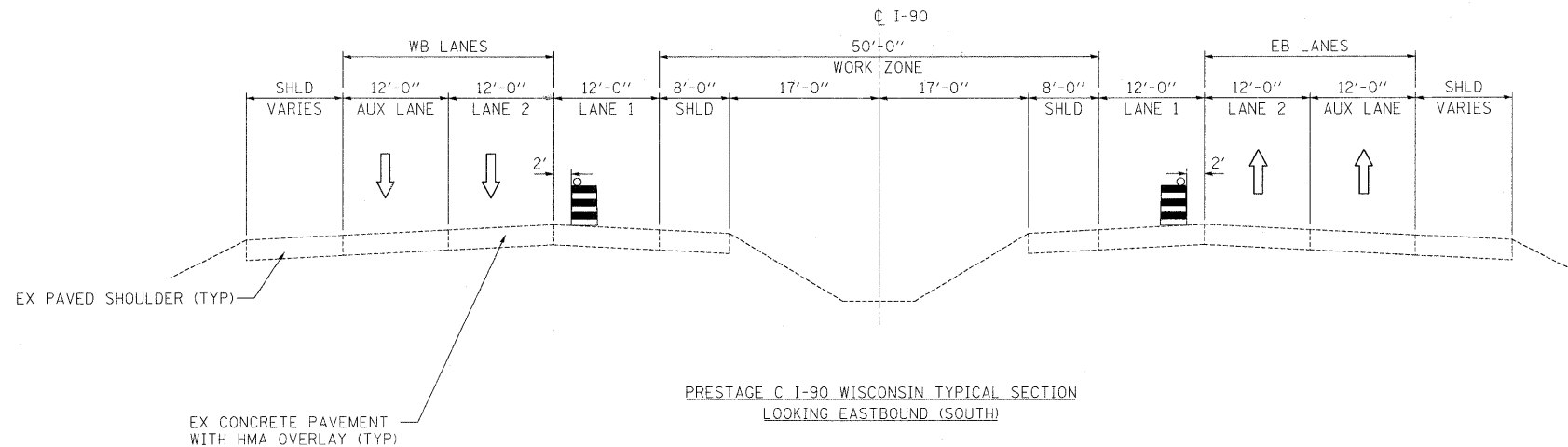


SEE MOT GENERAL NOTES  
FOR STAGING DESCRIPTION  
AND SEQUENCE OF CONSTRUCTION



- LEGEND**
- TRAFFIC LANE
  - DRUM WITH STEADY BURNING LIGHT
  - TEMPORARY CONCRETE BARRIER
  - PROPOSED PAVEMENT/SHOULDER
  - TEMPORARY PAVEMENT - SEE DETAIL ON PREVIOUS SHEET

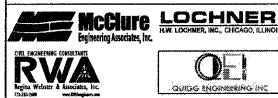
SEE DETAIL FOR TEMPORARY PAVEMENT DESIGN

EX HMA FULL DEPTH (TYP)

EXISTING CONCRETE MEDIAN BARRIER

**STATE OF ILLINOIS  
DEPARTMENT OF TRANSPORTATION**

**MAINTENANCE OF TRAFFIC  
TYPICAL SECTIONS I-90**



USER NAME = .USERNAME.	DESIGNED - ECS	REVISED -
DRAWN - ECS	REVISED -	
CHECKED - AM	REVISED -	
DATE - 10/14/2011	REVISED -	

<b>STATE OF ILLINOIS DEPARTMENT OF TRANSPORTATION</b>			
SCALE: NTS	SHEET NO. OF SHEETS	STA.	TO STA.

F.A.I. RTE. 90	SECTION (X2-1)R	COUNTY WINNEBAGO	TOTAL SHEETS 510	SHEET NO. 121
CONTRACT NO. 64C29				

ILLINOIS FED. AID PROJECT				
---------------------------	--	--	--	--