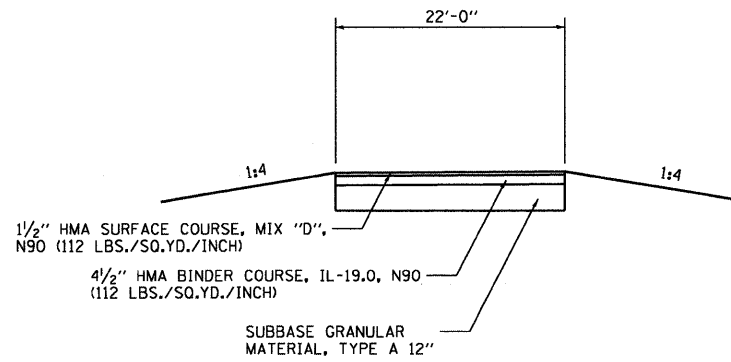
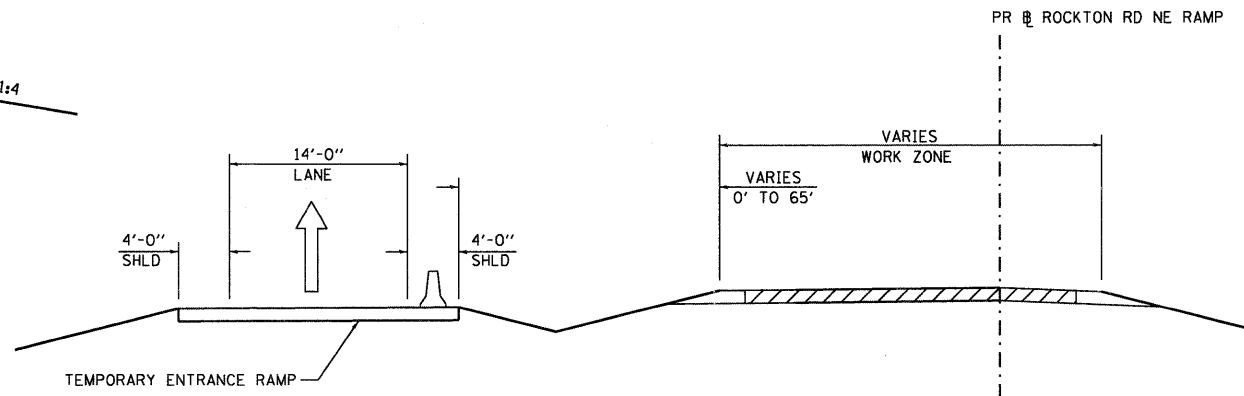


**STAGE 1A ROCKTON RD NE RAMP
TYPICAL SECTION
LOOKING WESTBOUND (NORTH)**

- STAGE 1A**
1. TRAFFIC REMAINS ON EXISTING RAMP.
 2. RE-STRIPE LEFT TURN LANE ALONG ROCKTON RD. TO HANDLE W.B. ROCKTON RD. TRAFFIC DURING CONSTRUCTION OF TEMPORARY RAMP AND PROPOSED ENTRANCE RAMP.
 3. RE-CONSTRUCT SHOULDER ALONG ROCKTON RD. AT TEMPORARY ENTRANCE RAMP.
 4. CONSTRUCT TEMPORARY RAMP UP TO 1A I-90 MAINLINE CONSTRUCTION.
 5. INSTALL TEMPORARY CONCRETE BARRIER TO BE USED IN STAGE 1B

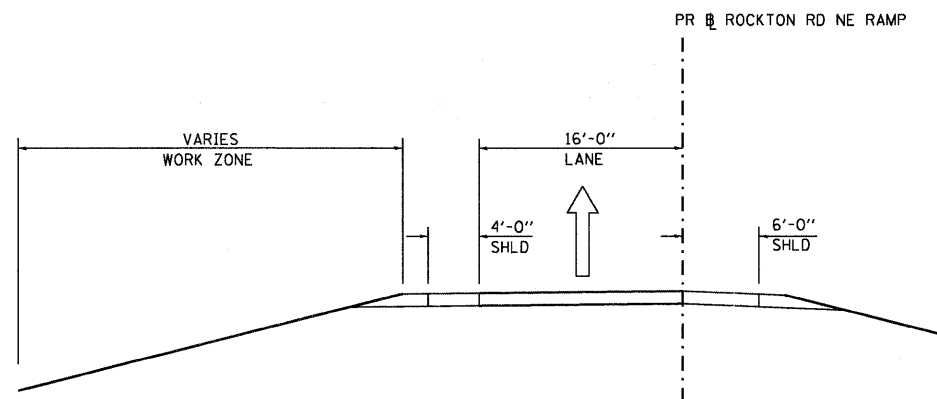


**TYPICAL PAVEMENT SECTION
TEMPORARY PAVEMENT**



**STAGE 1B ROCKTON RD NE RAMP
TYPICAL SECTION
LOOKING WESTBOUND (NORTH)**

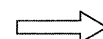
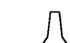


- STAGE 1B**
1. SHIFT ENTRANCE RAMP TRAFFIC TO TEMPORARY RAMP.
 2. CONSTRUCT PROPOSED RAMP ALONG WITH REMAINING I-90 W.B. LANES.
 3. W.B. ROCKTON RD. TRAFFIC REMAINS IN RE-STRIPE LEFT TURN LANE AREA.



**STAGE 1C ROCKTON RD NE RAMP
TYPICAL SECTION
LOOKING WESTBOUND (NORTH)**

- STAGE 1C**
1. SHIFT ENTRANCE RAMP TRAFFIC TO PROPOSED RAMP.
 2. W.B. ROCKTON RD. TRAFFIC REMAINS IN RE-STRIPE LEFT TURN LANE AREA.
 3. REMOVE TEMPORARY RAMP.
 4. REGRADE SLOPES.
 5. RE-STRIPE LEFT TURN LANE ALONG ROCKTON RD.

LEGEND

-  TRAFFIC LANE
-  TEMPORARY CONCRETE BARRIER
-  PROPOSED PAVEMENT/SHOULDER
-  TEMPORARY PAVEMENT - SEE DETAIL