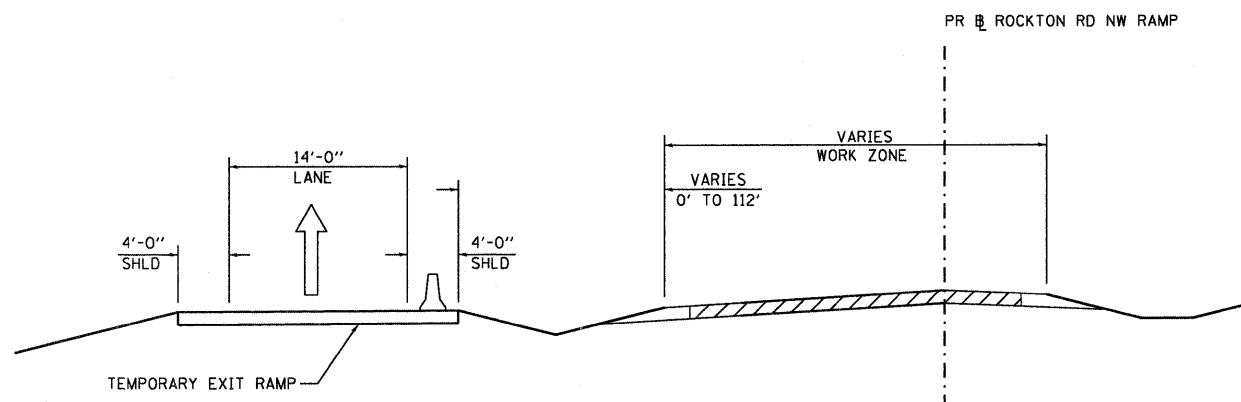


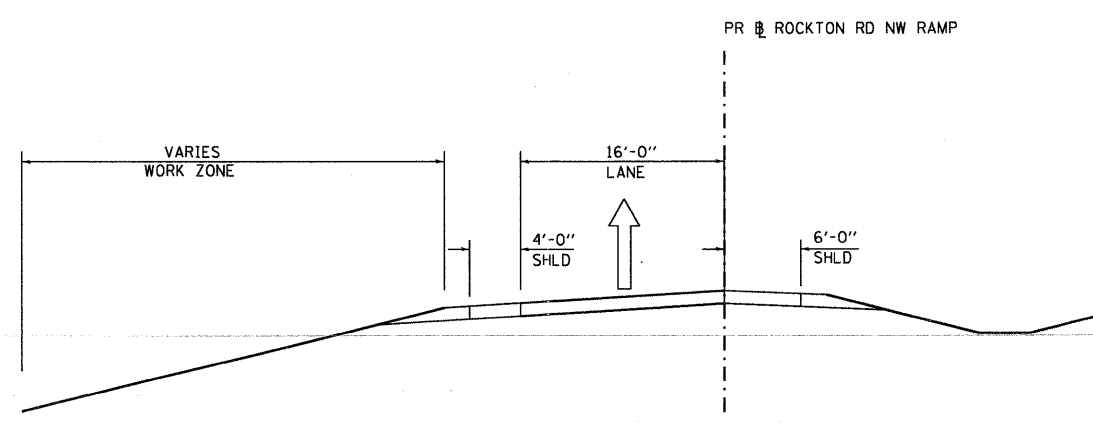
**PRE-STAGE ROCKTON RD NW RAMP  
TYPICAL SECTION  
LOOKING EASTBOUND (SOUTH)**

- PRE-STAGE WORK**
1. TRAFFIC REMAINS ON EXISTING RAMP.
  2. REMOVE EXISTING CONCRETE MEDIAN ALONG ROCKTON RD. AND REPLACE WITH TEMPORARY PAVEMENT.
  3. RE-STRIPE LEFT TURN LANE AND MEDIAN AREA ALONG ROCKTON RD. TO HANDLE W.B. ROCKTON RD. TRAFFIC DURING CONSTRUCTION OF TEMPORARY RAMP AND PROPOSED EXIT RAMP.
  4. RE-CONSTRUCT SHOULDER ALONG ROCKTON RD. AT TEMPORARY EXIT RAMP.
  5. CONSTRUCT TEMPORARY EXIT RAMP.
  6. INSTALL TEMPORARY CONCRETE BARRIER TO BE USED IN STAGE 2A



**STAGE 2A ROCKTON RD NW RAMP  
TYPICAL SECTION  
LOOKING EASTBOUND (SOUTH)**

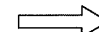

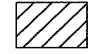

- STAGE 2A**
1. SHIFT EXIT RAMP TRAFFIC TO TEMPORARY RAMP.
  2. CONSTRUCT PROPOSED RAMP.
  3. W.B. ROCKTON RD. TRAFFIC REMAINS IN RE-STRIPE LEFT TURN LANE AREA.



**STAGE 2B ROCKTON RD NW RAMP  
TYPICAL SECTION  
LOOKING EASTBOUND (SOUTH)**

- STAGE 2B**
1. SHIFT EXIT RAMP TRAFFIC TO PROPOSED RAMP.
  2. REMOVE REMAINING EXISTING AND TEMPORARY RAMP
  3. REGRADE SLOPES.

**LEGEND**

-  TRAFFIC LANE
-  TEMPORARY CONCRETE BARRIER
-  PROPOSED PAVEMENT/SHOULDER
-  TEMPORARY PAVEMENT - SEE DETAIL