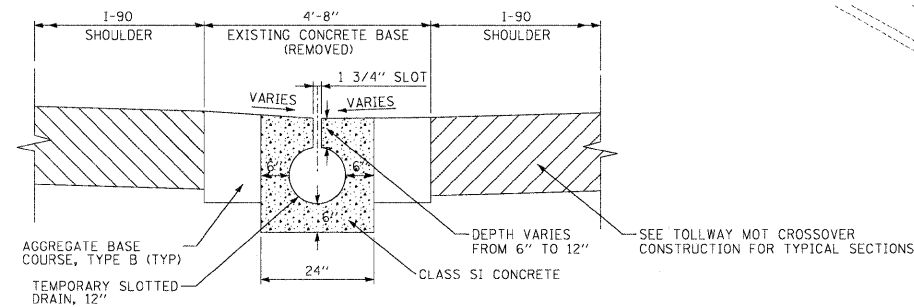
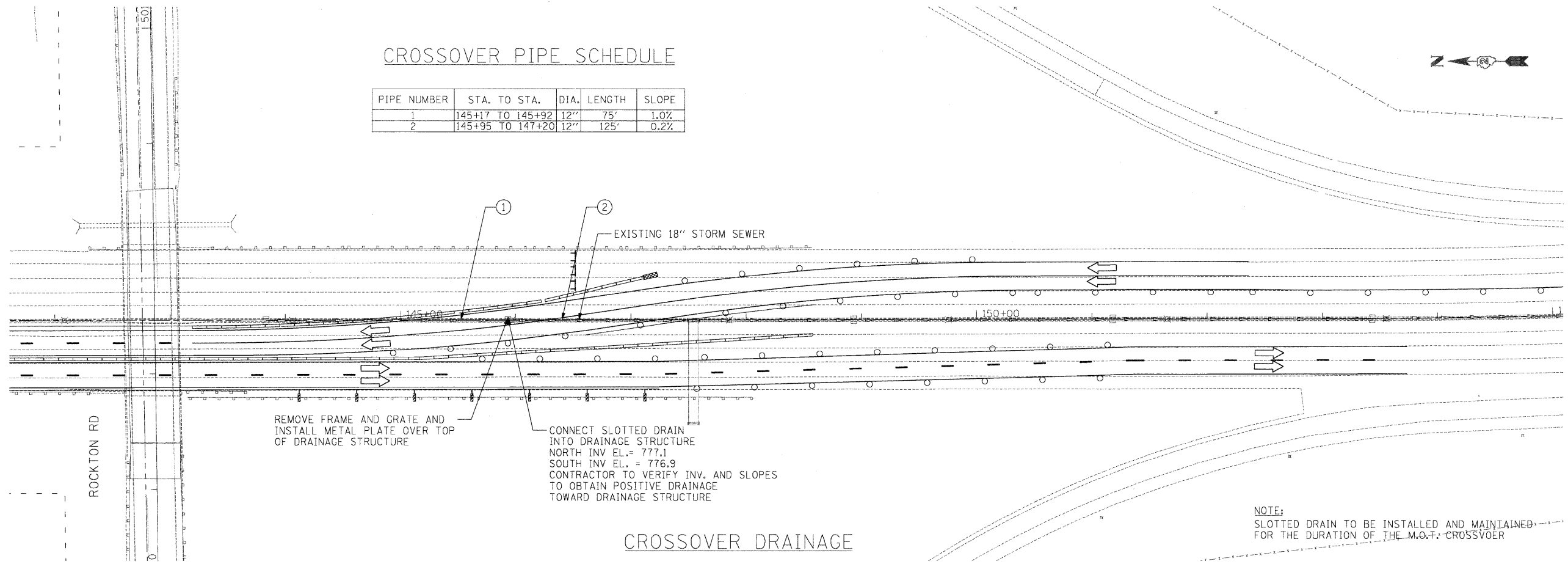


CROSSOVER PIPE SCHEDULE

PIPE NUMBER	STA. TO STA.	DIA.	LENGTH	SLOPE
1	145+17 TO 145+92	12"	75'	1.0%
2	145+95 TO 147+20	12"	125'	0.2%



TEMPORARY SLOTTED DRAIN DETAIL

