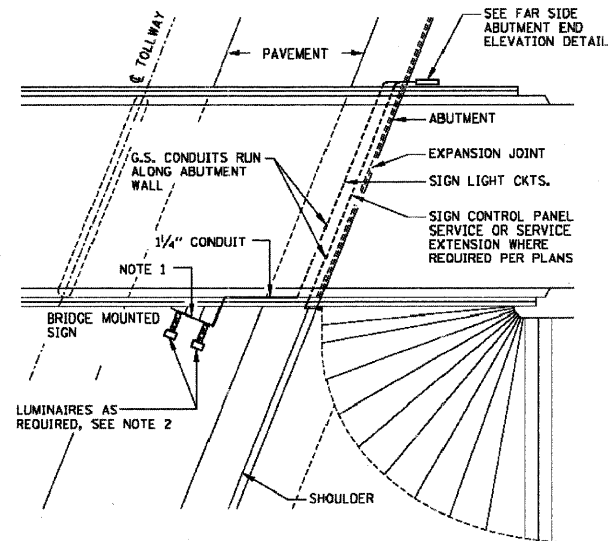
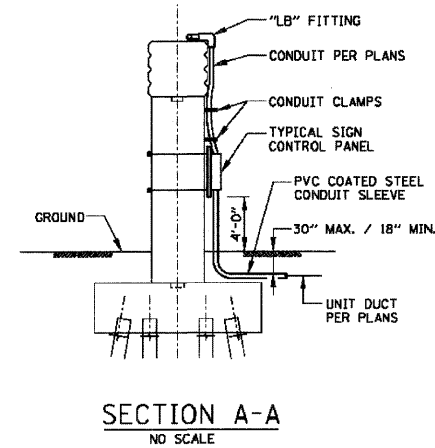


PLAN



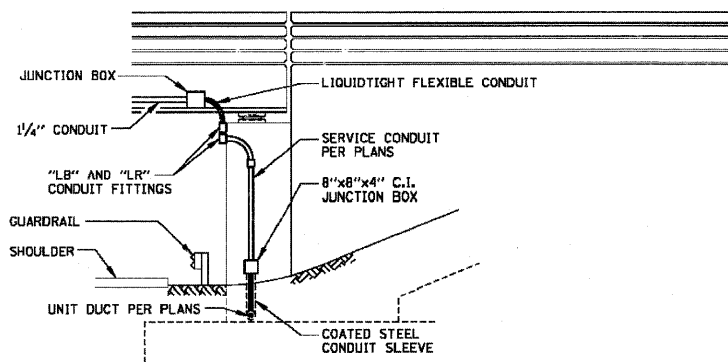
PLAN



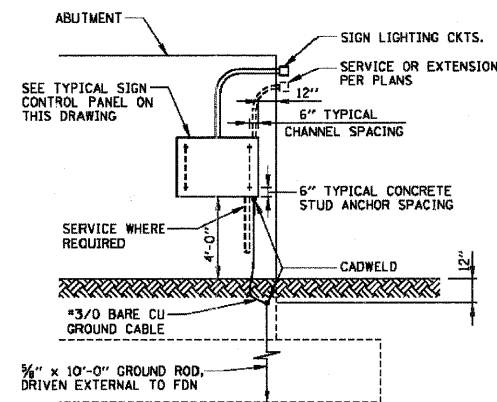
SECTION A-A
NO SCALE

NOTES:

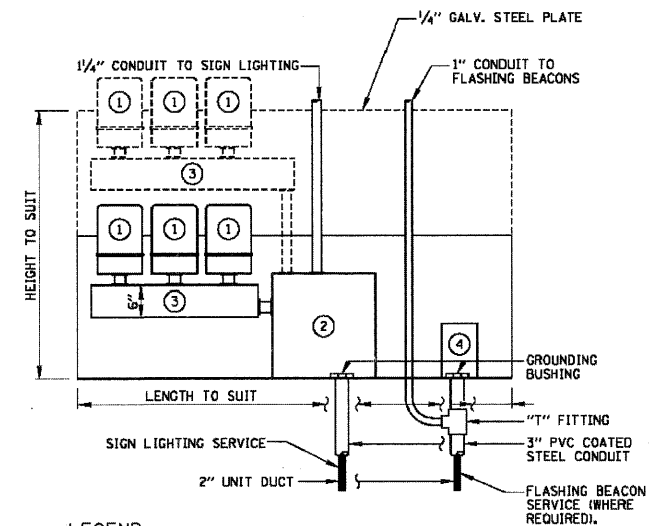
1. FOR SIGN STRUCTURE INSTALLATION DETAILS, SEE SHEET 2 (OF 2) IN THIS SERIES.
2. FOR SIGN LUMINAIRE INSTALLATION AND WIRING, SEE STANDARD H14 (SIGN LUMINAIRE MOUNTING DETAIL AND WIRING DIAGRAMS).



NEAR SIDE ABUTMENT END ELEVATION
NO SCALE



FAR SIDE ABUTMENT END ELEVATION
NO SCALE



LEGEND:

- 1 WEATHERPROOF CANNISTER BALLAST (BALLAST SHALL BE MARKED TO IDENTIFY WHICH LUMINAIRE IT IS WIRED).
- 2 SIGN LIGHTING SERVICE - CIRCUIT BREAKER (30 AMP/2 POLE) IN NEMA TYPE 4 C.I. ENCLOSURE, OZ TYPE "YW" WITH MOUNTING FEET OR APPROVED EQUAL.
- 3 6"x6" HOT DIPPED GALVANIZED WEATHERPROOF WIREWAY (LENGTH TO SUIT).
- 4 FLASHING BEACON CONTROLLER.

TYPICAL SIGN CONTROL PANEL

FOR TYPICAL WIRING DIAGRAM SEE STANDARD H14 (SIGN LUMINAIRE MOUNTING DETAIL AND WIRING DIAGRAMS)
NO SCALE

SHEET 1 OF 2



APPROVED: *Jeff Daly* DATE 1-1-2007

DATE	REVISIONS

BRIDGE MOUNT SIGN LIGHTING TYPICAL WIRING
STANDARD H10-00