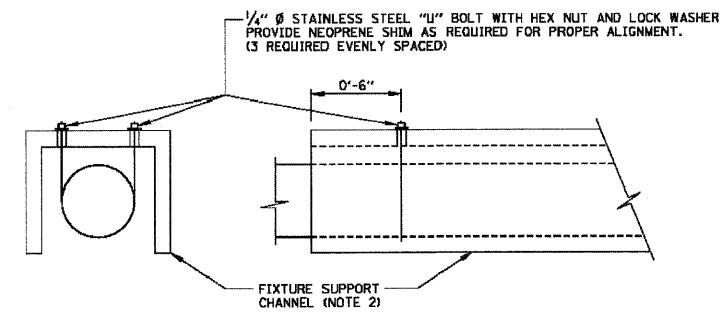


**SIGN WIRING DIAGRAM**  
NO SCALE



**LUMINAIRE SUPPORT DETAIL**  
NO SCALE

**NOTES:**

- HOLES WHICH ARE FIELD DRILLED IN STRUCTURAL STEEL MEMBERS SHALL BE PAINTED WITH ONE (1) COAT OF ZINC PAINT IMMEDIATELY FOLLOWING DRILLING. THE PAINT SHALL CONFORM TO FEDERAL SPECIFICATION TT-P641b TYPE 2 FOR GALVANIZING PRIMER.
- SEE STRUCTURAL DRAWINGS FOR DETAILS OF FIXTURE SUPPORT CHANNELS. SUPPORT CHANNELS ARE ALUMINUM (1/4"x2") FOR TRUSS TYPE AND CANTILEVER TYPE SIGN STRUCTURES AND STEEL (C5x9) FOR BRIDGE MOUNTED SIGNS.

APPROVED: *Jeff Daley* DATE 1-1-2007  
CHIEF ENGINEER



DATE	REVISIONS

SIGN LUMINAIRE MOUNTING DETAIL AND WIRING DIAGRAMS  
STANDARD H14-00



USER NAME = .USERNAME.	DESIGNED - AM	REVISED -
	DRAWN - ESC	REVISED -
PLOT SCALE = 10.0000' / IN.	CHECKED - AM	REVISED -
PLOT DATE = 10/19/2011	DATE - 10/14/2011	REVISED -

STATE OF ILLINOIS  
DEPARTMENT OF TRANSPORTATION

SIGN LUMINAIRE MOUNTING DETAILS  
AND WIRING DETAILS

SCALE: NTS SHEET NO. OF SHEETS STA. TO STA.

F.A.I. RTE.	SECTION	COUNTY	TOTAL SHEETS	SHEET NO.
90	(X2-1)R	WINNEBAGO	510	292
CONTRACT NO. 64C29				
ILLINOIS FED. AID PROJECT				