

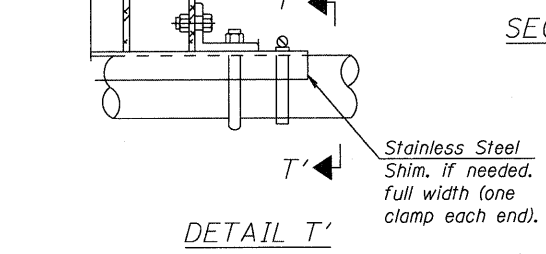
DETAIL T (Continuous Truss grating)

SPECIFICATIONS FOR STANDARD ALUMINUM GRATING

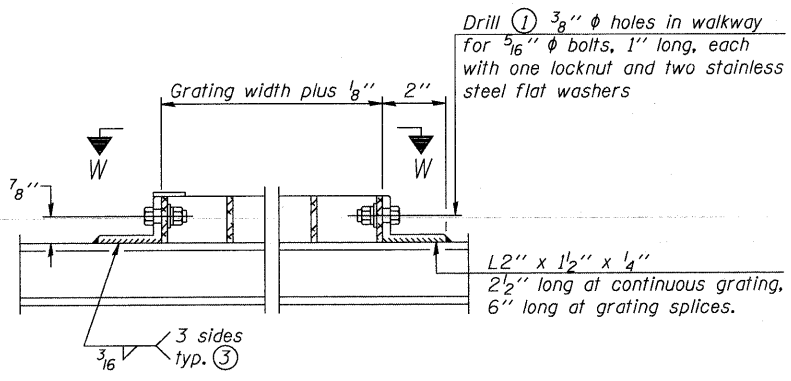
Main Bearing Bars shall be 3/16" x 1 1/2" on 1 3/16" centers and conform to ASTM B221 Alloy 6061-T6.
 Cross bars shall be 3/16" x 1 1/2" on 4" centers and conform to ASTM B221 Alloy 6063-T5 or 6061-T6.
 OR
 Aluminum Grating with modified "T" sections for main bearing bars shall meet the following requirements:
 Main bars shall conform to ASTM B221 Alloy 6061-T6 and have a minimum section modulus equal to 0.0705 in.³ per bar, a depth of 1 1/2", spaced on 1 3/16" centers.
 Cross bars shall conform to ASTM B221 Alloy 6063-T5 or T-42 and spaced on 4" centers.

- ① Drilling holes in grating may be done in shop or field, based on Contractor's preference and subject to accurate alignment.
- ② Stainless steel shims shall be placed as shown in Detail T if needed to compensate for alignment variations between horizontal and diagonal pipes beyond adjustment provided by angles. Thicker shims may be used subject to shims performing properly.
- ③ If Handrail Joint present, weld angle to WF(A-N)4 and 1/4" extension bars. (See Base Sheet OS-A-11.)
- ④ 1/8" x 1/2" x 2" welded to handrail posts to protect locations that contact grating.
- ⑤ Tube to grating gap may vary from 0 to 1/2", max. to align walkway, allow for camber, etc.
- ⑥ Based on actual height of tallest sign given on OS-A-1.

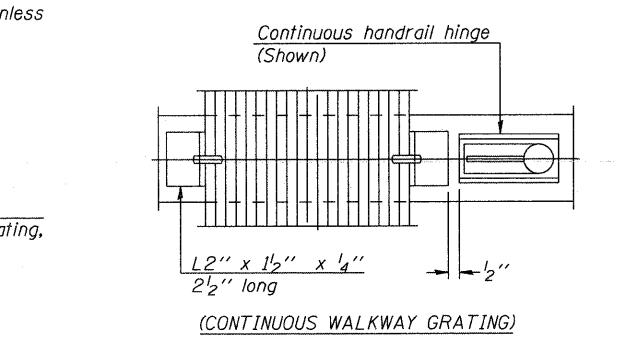
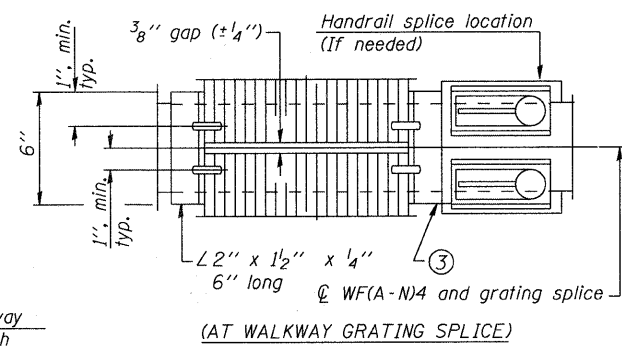
Structure Number	Station	A	⑥ B	C	⑥ D
2S101109L00.65	34+18 LT	7 1/2"	5'-4 1/2"	5'-3"	11'-1 1/2"



DETAIL T' (Truss grating splice)
 Details not shown same as Detail T.
 Alternate materials may be used subject to the Engineer's review and approval.



DETAIL W (Walkway grating)



SECTION W-W (CONTINUOUS WALKWAY GRATING)

OS-A-10 1-20-11

McClure LOCHNER Engineering & Construction, Inc.	USER NAME =	DESIGNED -	REVISED -
RVA Engineering & Construction, Inc.	PLOT SCALE =	CHECKED - DW	REVISED -
OEI QUIGO ENGINEERING INC.	PLOT DATE = 10/19/2011	DRAWN - JDH	REVISED -
		DATE - 10-21-2011	REVISED -

STATE OF ILLINOIS
 DEPARTMENT OF TRANSPORTATION

OVERHEAD SIGN STRUCTURES
 ALUMINUM WALKWAY DETAILS

SHEET NO. 12 OF 20 SHEETS

F.A. RTE.	SECTION	COUNTY	TOTAL SHEETS	SHEET NO.
90	(X2-1) R	WINNEBAGO	510	319
CONTRACT NO. 64C29			ILLINOIS FED. AID PROJECT	