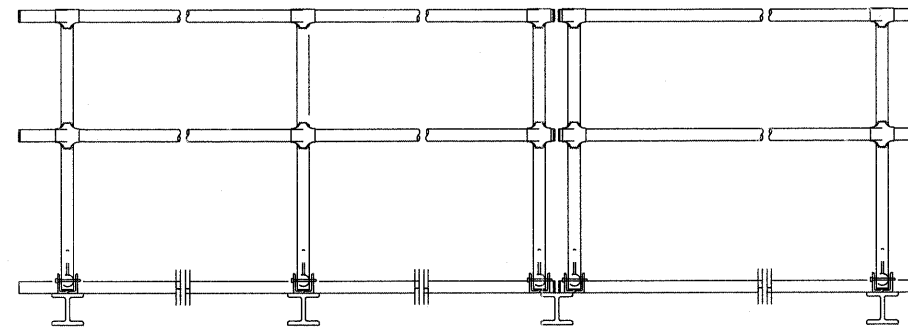
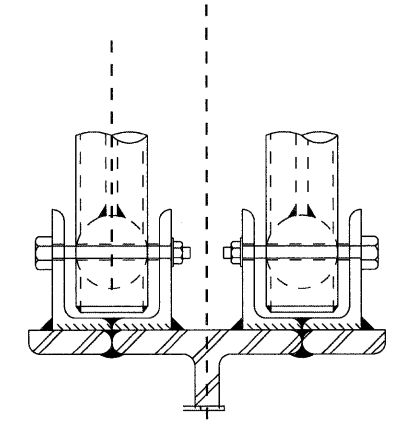


SIDE ELEVATION

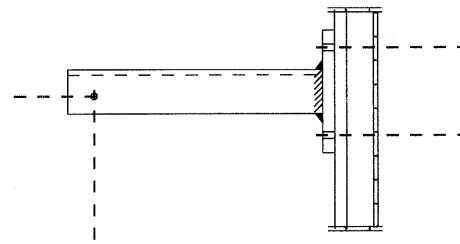


FRONT ELEVATION

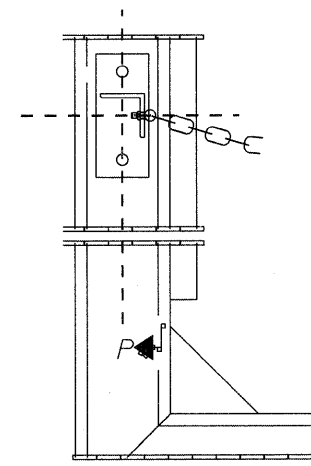


ELEVATION AT HANDRAIL JOINT ④

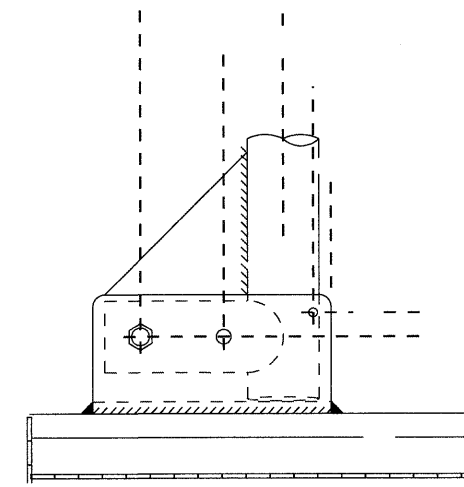
HANDRAIL DETAILS



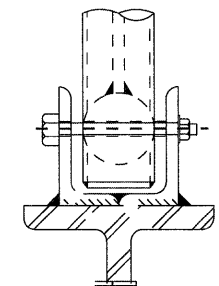
SECTION P-P



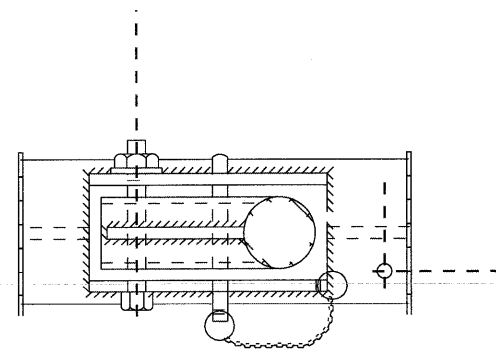
ALTERNATE SAFETY CHAIN ATTACHMENT



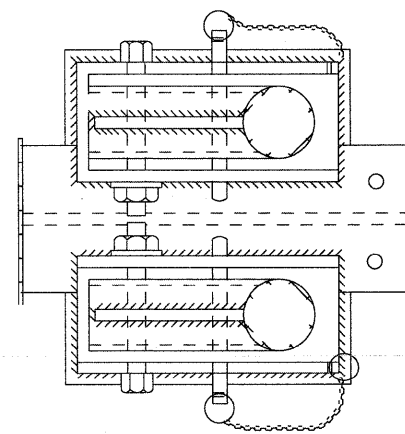
SIDE ELEVATION



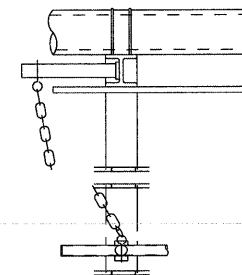
FRONT ELEVATION



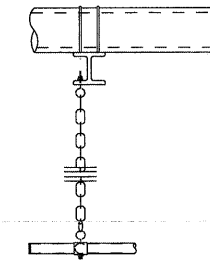
PLAN  
DETAIL E HANDRAIL HINGE



PLAN AT HANDRAIL JOINT



ALTERNATE SAFETY CHAIN ATTACHMENT



SAFETY CHAIN

OS-A-11-DMS



USER NAME =	DESIGNED -	REVISED -
	CHECKED - DW	REVISED -
PLOT SCALE =	DRAWN - JDH	REVISED -
PLOT DATE = 10/19/2011	DATE - 10-21-2011	REVISED -

STATE OF ILLINOIS  
DEPARTMENT OF TRANSPORTATION

OVERHEAD SIGN STRUCTURES  
ALTERNATE ALUMINUM HANDRAIL DETAILS FOR DMS

SHEET NO. 16 OF 20 SHEETS

F.A. RTE.	SECTION	COUNTY	TOTAL SHEETS	SHEET NO.
90	(X2-1) R	WINNEBAGO	510	323
				CONTRACT NO. 64C29
ILLINOIS FED. AID PROJECT				