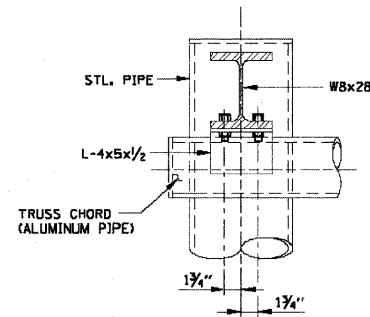
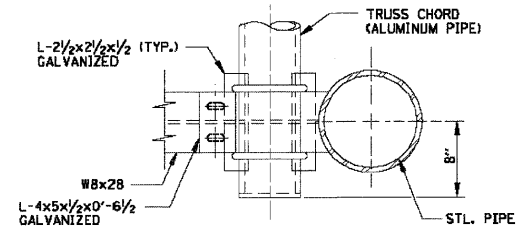


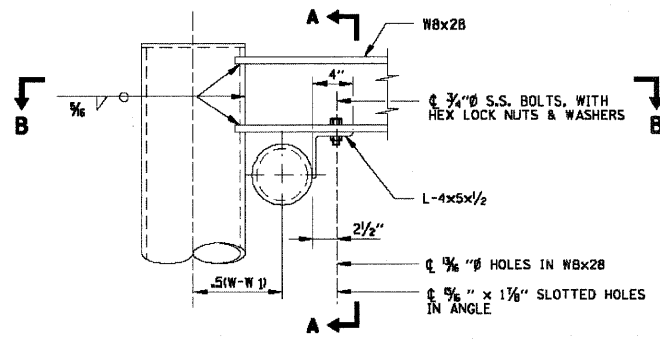
SECTION B-B



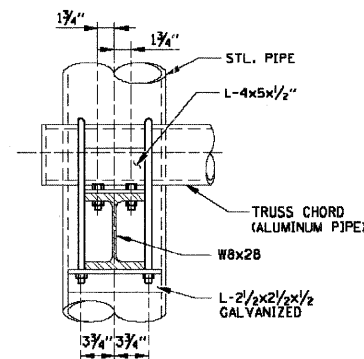
SECTION A-A



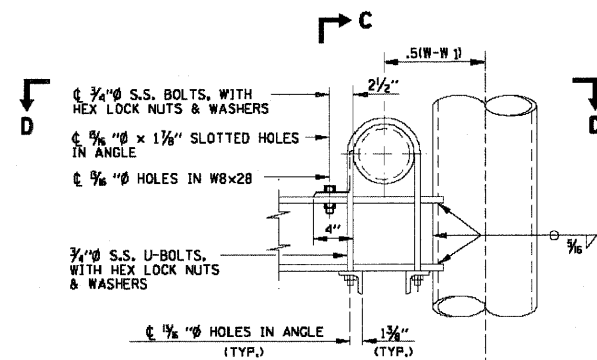
SECTION D-D



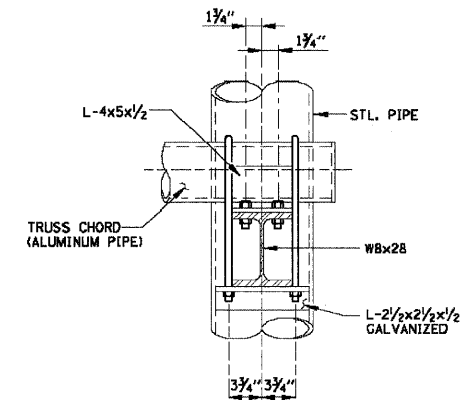
DETAIL A



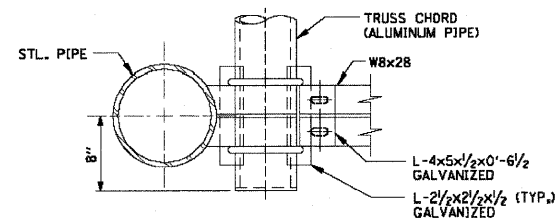
SECTION F-F



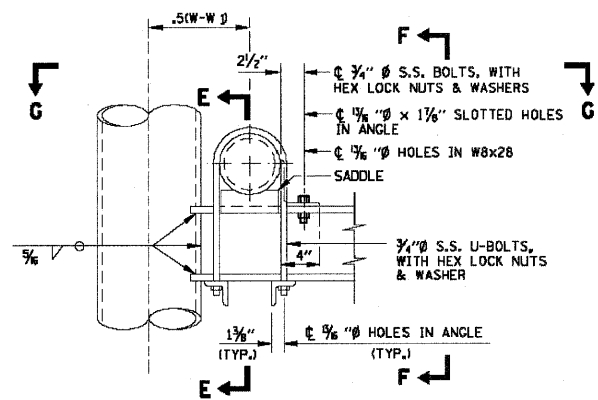
DETAIL B



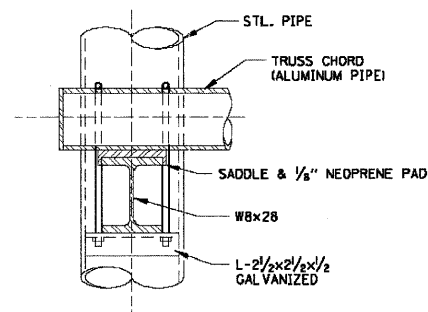
SECTION C-C



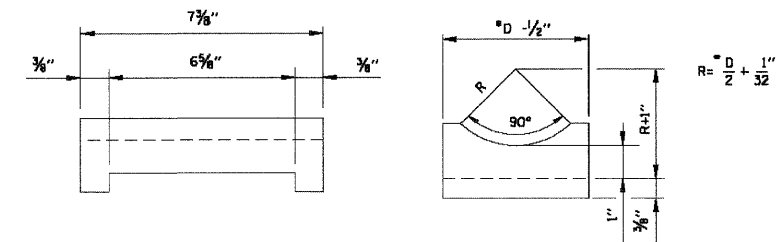
SECTION G-G



DETAIL C



SECTION E-E



SADDLE (SHIM) DETAIL (ALUMINUM)

NOTES:

- FOR LOCATION OF DETAILS A, B, & C, SEE SHEET 1 (OF 2) IN THIS SERIES.
- *D=OUTSIDE DIAMETER OF CHORD

SHEET 2 OF 2

APPROVED: *Jeff Haly* DATE 1-1-2007



DATE	REVISIONS

OVERHEAD SIGN STRUCTURE
SPAN TYPE, ALUMINUM, DETAILS
STANDARD F1-00



USER NAME =	DESIGNED -	REVISED -
PLOT SCALE =	CHECKED - DW	REVISED -
PLOT DATE = 10/19/2011	DRAWN - JDH	REVISED -
	DATE - 10-21-2011	REVISED -

STATE OF ILLINOIS
DEPARTMENT OF TRANSPORTATION

OVERHEAD SIGN STRUCTURE
SPAN TYPE, ALUMINUM

SHEET NO. 2 OF 2 SHEETS

F.A. RTE. 90	SECTION (X2-1) R	COUNTY WINNEBAGO	TOTAL SHEETS 510	SHEET NO. 342
			CONTRACT NO. 64C29	
ILLINOIS FED. AID PROJECT				