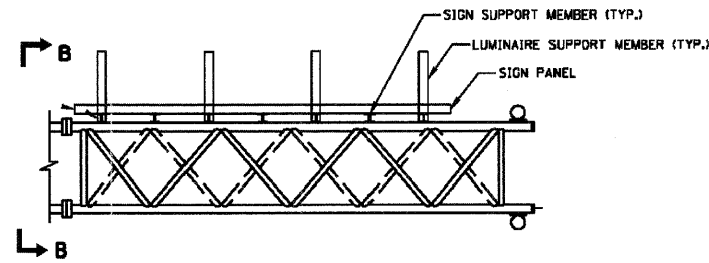
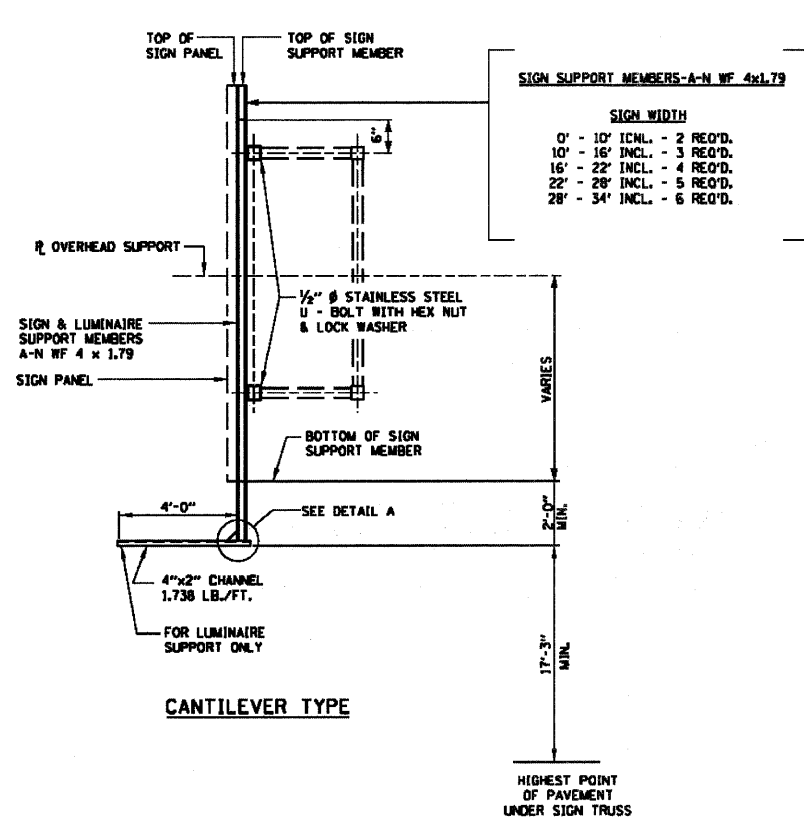


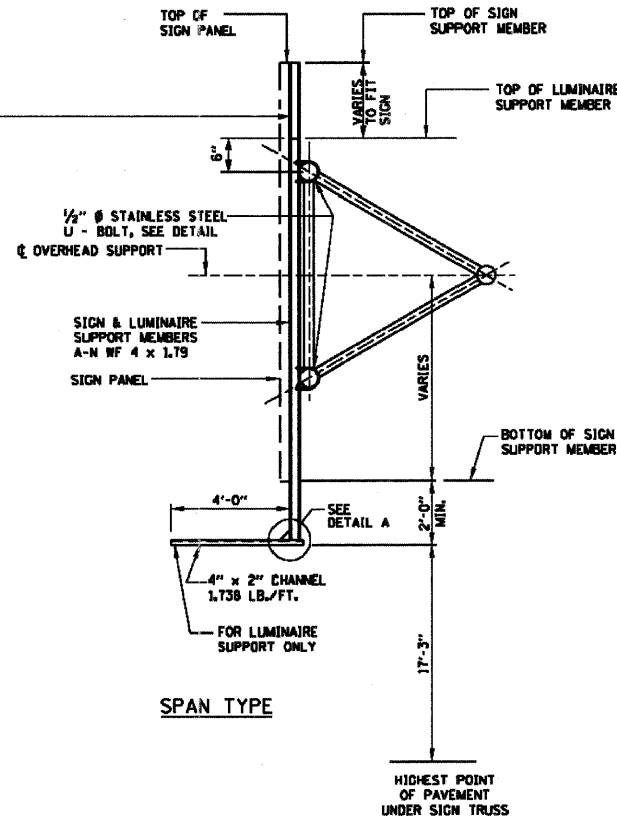
PLAN



PLAN



SECTION A-A

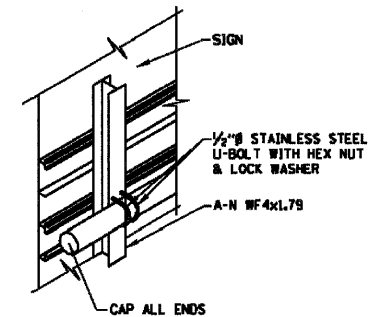


SECTION B-B

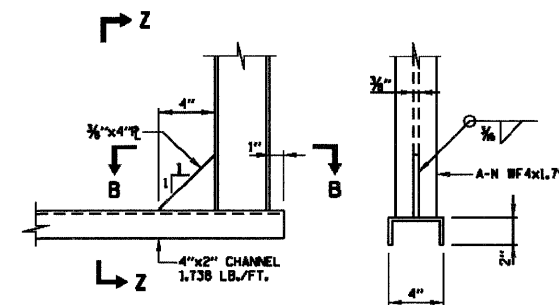
SIGN AND LUMINAIRE SUPPORT DETAIL

NOTE:

- SIGN PANEL SHALL BE ATTACHED TO TRUSS AS CLOSE TO PANEL JOINTS AS POSSIBLE.
- LUMINAIRE SUPPORT MEMBERS TO BE INSTALLED ONLY WHEN SIGN STRUCTURE IS TO BE ILLUMINATED. DESIGNER TO DETERMINE REQUIREMENTS BASED ON ROADWAY GEOMETRY.

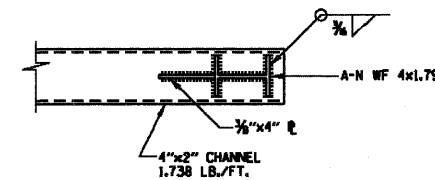


STAINLESS STEEL U-BOLT DETAIL



DETAIL A

SECTION Z-Z



SECTION B-B

NOTES:

ALL MATERIAL IS ALUMINUM UNLESS OTHERWISE NOTED.

APPROVED *Jeff Staley* DATE 1-1-2007  
CHIEF ENGINEER



DATE	REVISIONS
1-1-2009	ADDED PLAN VIEWS FOR SIGN STRUCTURES

OVERHEAD SIGN STRUCTURE  
SIGN AND LUMINAIRE  
SUPPORTS  
STANDARD F8-01