
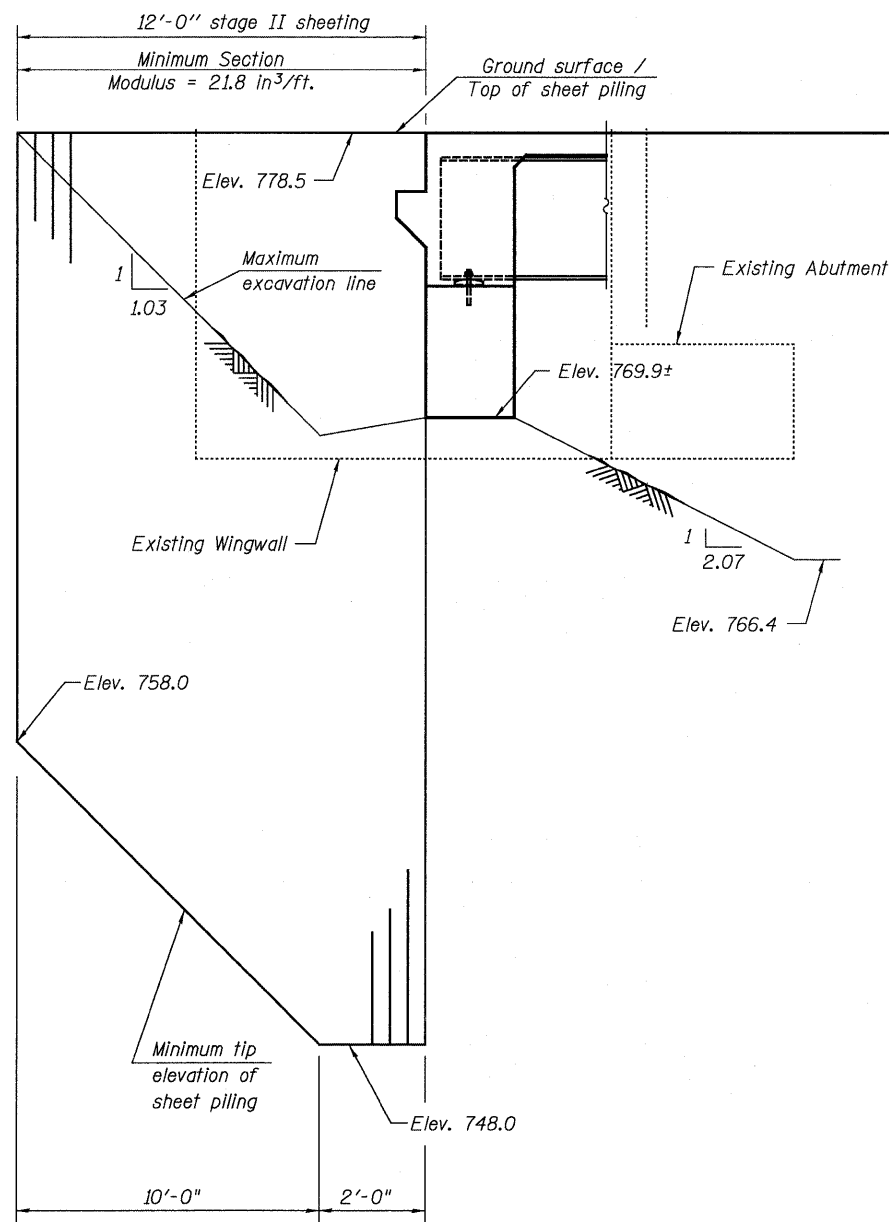


Notes:

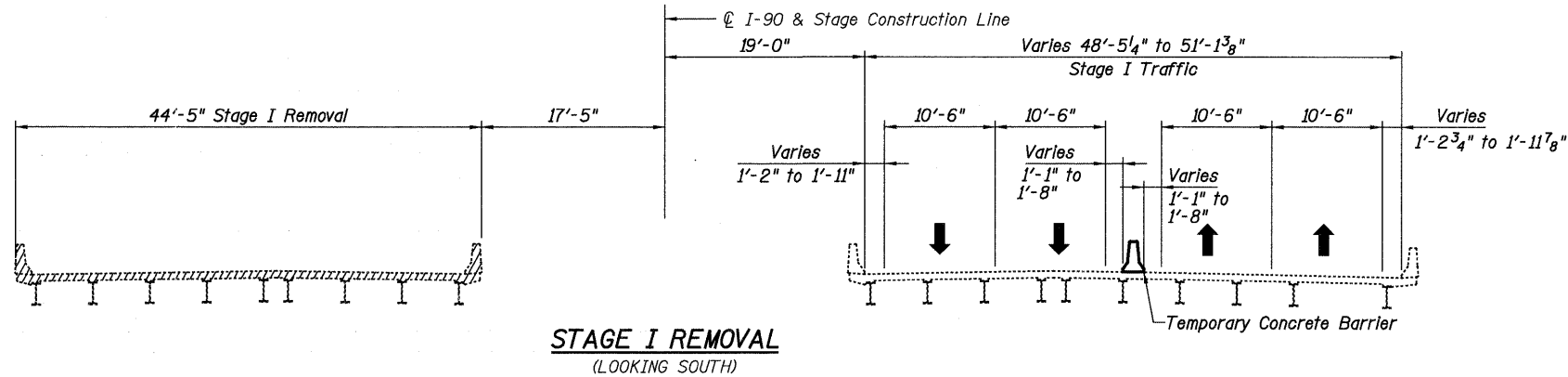
If the Contractor chooses to alter the temporary cantilevered sheet piling design requirements shown on the plans, a design submittal including plan details and calculations will be required for review and acceptance by the Engineer.

LEGEND

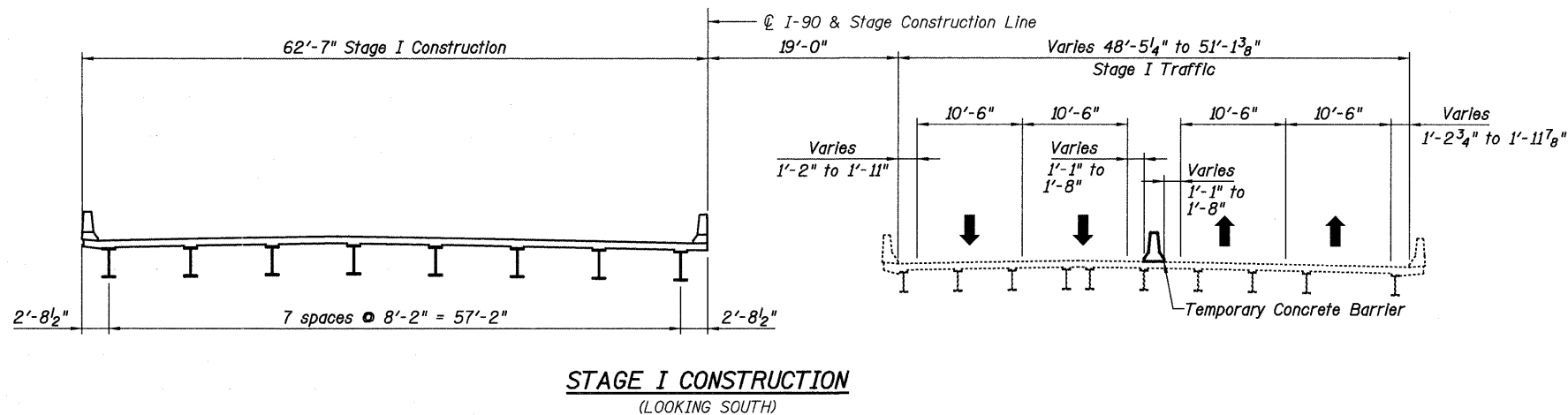
 Removal Area



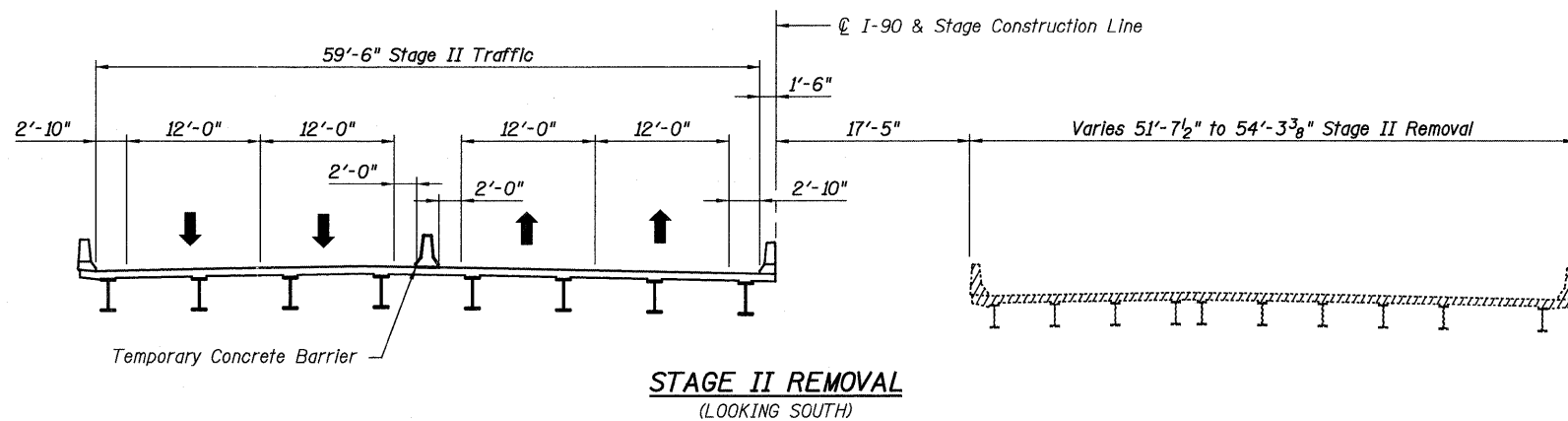
TEMPORARY SHEET PILING



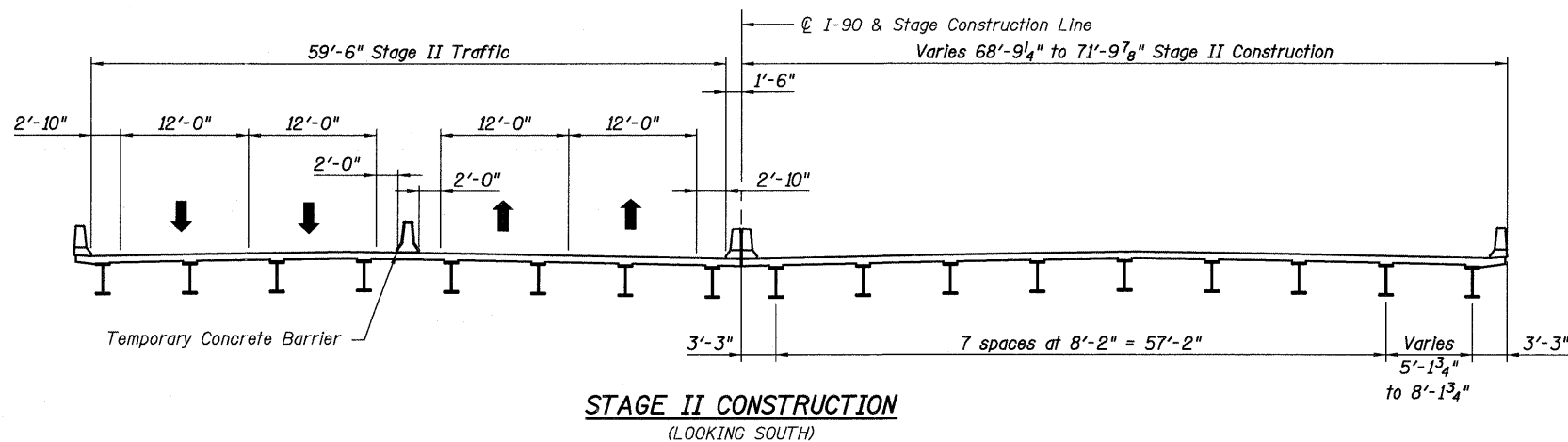
STAGE I REMOVAL  
(LOOKING SOUTH)



STAGE I CONSTRUCTION  
(LOOKING SOUTH)



STAGE II REMOVAL  
(LOOKING SOUTH)



STAGE II CONSTRUCTION  
(LOOKING SOUTH)

USER NAME =	DESIGNED - JTT	REVISOR -
PLLOT SCALE =	CHECKED - VAC	REVISIONS -
PLLOT DATE =	DRAWN - JBB	REVISIONS -
	CHECKED - JTT	REVISIONS -

F.A.I. RTE.	SECTION	COUNTY	TOTAL SHEETS	SHEET NO.
90	(2X-1)R	WINNEBAGO	510	348
				CONTRACT NO. 64C29
ILLINOIS FED. AID PROJECT				