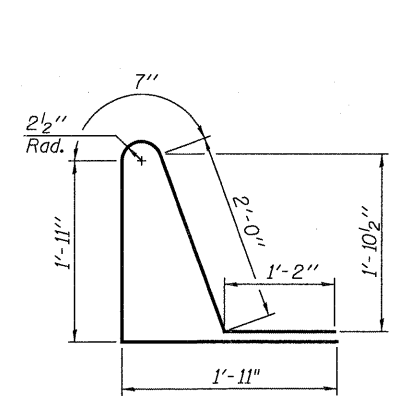
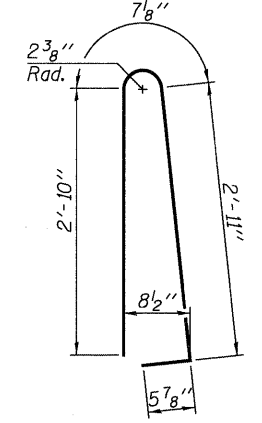


BAR d1(E)

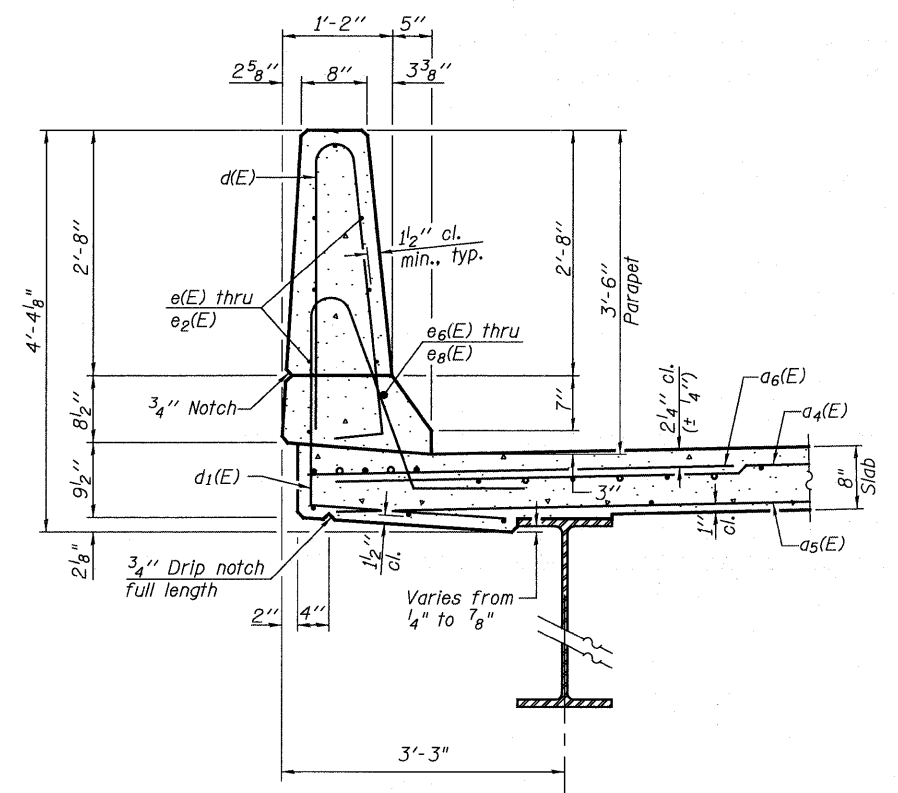


BAR d3(E)

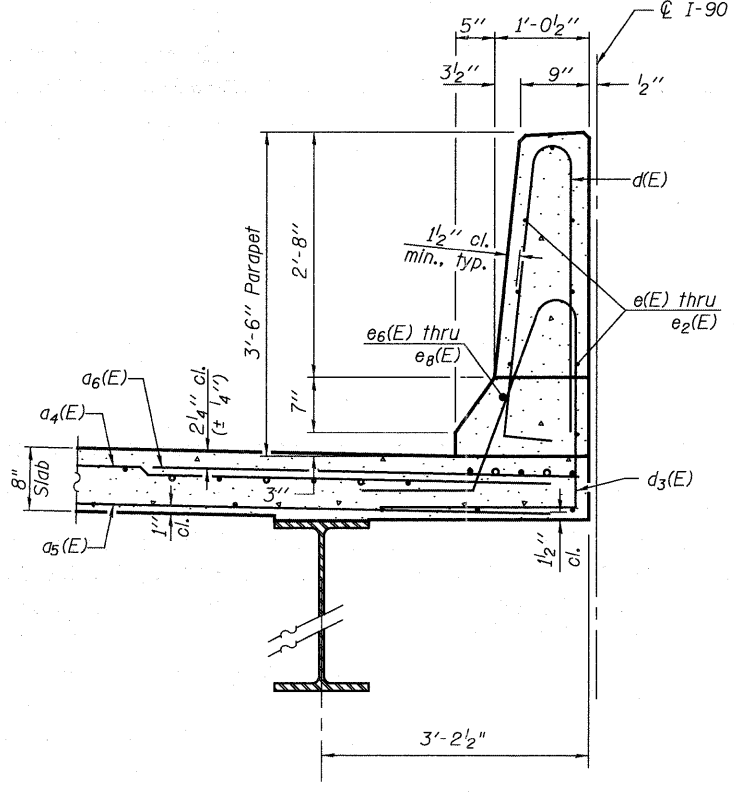


BAR d(E)

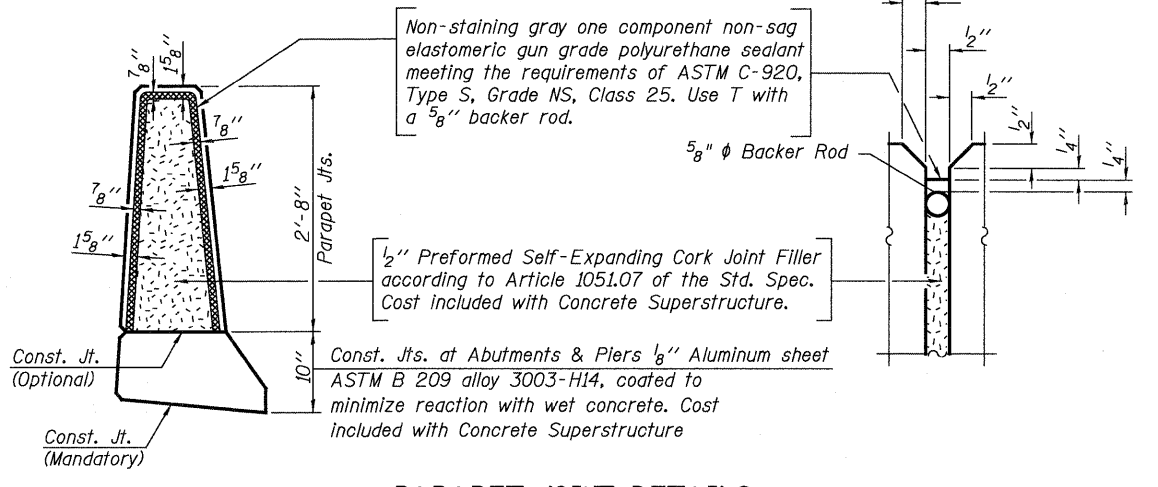
INSIDE ELEVATION OF PARAPET



SECTION THRU OUTSIDE PARAPET  
Looking North



SECTION THRU MEDIAN PARAPET  
Looking North



PARAPET JOINT DETAILS

(Outside Parapet Shown  
Inside Parapet Similar)

MINIMUM BAR LAP

(Parapet)  
#4 bar = 2'-1"  
#8 bar = 5'-5"

SUPERSTRUCTURE  
BILL OF MATERIAL

Bar	No.	Size	Length	Shape
a4(E)	736	#5	37'-6"	—
a5(E)	434	#5	37'-2"	—
a6(E)	734	#6	6'-6"	—
a7(E)	8	#5	38'-3"	—
b(E)	375	#5	32'-8"	—
b1(E)	144	#6	25'-7"	—
b2(E)	350	#5	32'-8"	—
d(E)	336	#5	6'-10"	⌋
d1(E)	168	#5	7'-7"	⌋
d3(E)	168	#5	7'-7"	⌋
e(E)	56	#4	15'-5"	—
e1(E)	56	#4	9'-10"	—
e2(E)	42	#4	16'-1"	—
e3(E)	4	#4	31'-3"	—
e4(E)	8	#4	9'-10"	—
e5(E)	4	#4	25'-6"	—
e6(E)	4	#8	31'-3"	—
e7(E)	8	#8	9'-10"	—
e8(E)	4	#8	27'-2"	—
m2(E)	16	#6	8'-0"	—
m3(E)	4	#6	2'-4"	—
m4(E)	30	#6	27'-0"	—
m5(E)	40	#6	10'-4"	—
s(E)	140	#5	6'-10"	⌋
s1(E)	140	#4	9'-10"	⌋
v(E)	141	#5	3'-9"	⌋
Reinforcement Bars, Epoxy Coated		Pound	95,330	
Concrete Superstructure		Cu. Yds.	367.3	

See sheet 28 of 48 for s(E), s1(E) and v(E) bar details.

Bars indicated thus 1 x 2-#5 etc. indicates 1 line of bars with 2 lengths per line.



USER NAME =	DESIGNED - JTT	REVISIONS -
PLOT SCALE =	CHECKED - VAC	REVISIONS -
PLOT DATE =	DRAWN - JBB	REVISIONS -
	CHECKED - JTT	REVISIONS -

STATE OF ILLINOIS  
DEPARTMENT OF TRANSPORTATION

SUPERSTRUCTURE DETAILS S.B.  
STRUCTURE NO. 101-0193

BRIDGE SHEET NO. 17 OF 48 SHEETS

F.A.I. RTE.	SECTION	COUNTY	TOTAL SHEETS	SHEET NO.
90	(X2-1)R	WINNEBAGO	510	362
				CONTRACT NO. 64C29

ILLINOIS FED. AID PROJECT