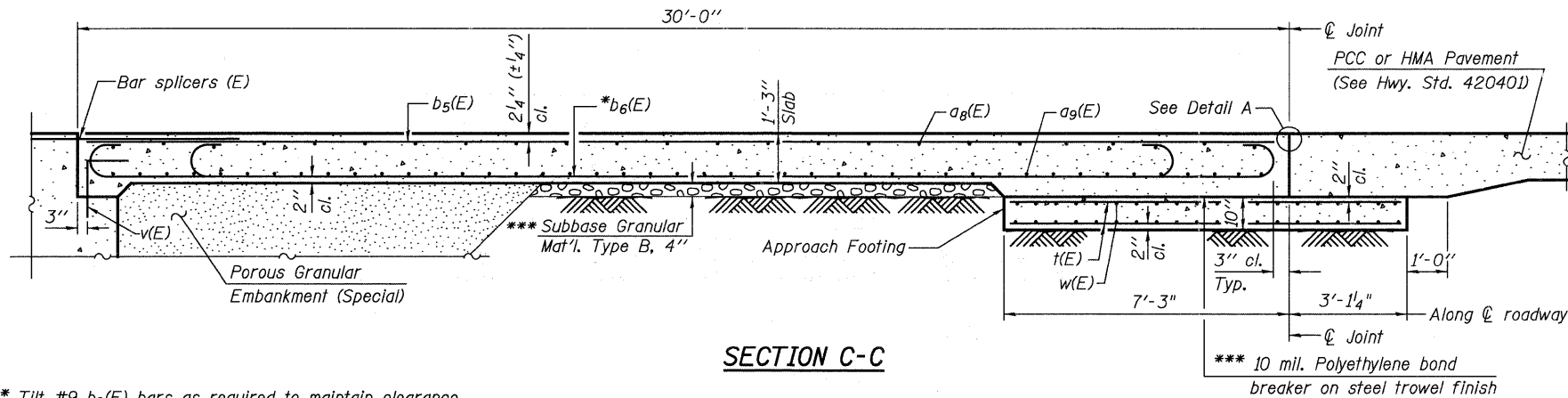


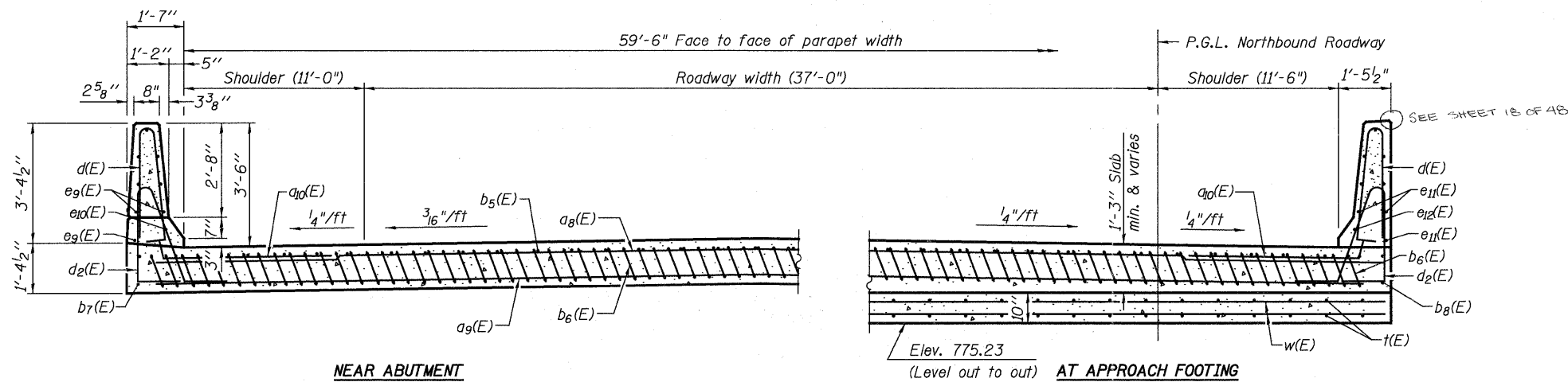
Notes:
 See sheet 19 of 48 for Detail A and View B-B.
 Approach slab and parapet concrete shall be paid for as Concrete Superstructure.
 Approach footing concrete shall be paid for as Concrete Structures.
 Reinforcement shall be paid for as Reinforcement Bars, Epoxy Coated.
 For bar splicer details, see sheet 27 of 48.
 The approach footing maximum applied service bearing pressure (Q_{max}) = 2.0 ksf.
 For bar splicer details, see sheet 42 of 48.
 Cost of excavation for approach footing included with Concrete Structures.
 For Porous Granular Embankment (Special) and drainage treatment details, see sheet 2 of 48.
 For additional parapet details, see sheet 15 of 48.



SECTION C-C

* Tilt #9 $b_6(E)$ bars as required to maintain clearance.

*** Cost included with Concrete Superstructure.

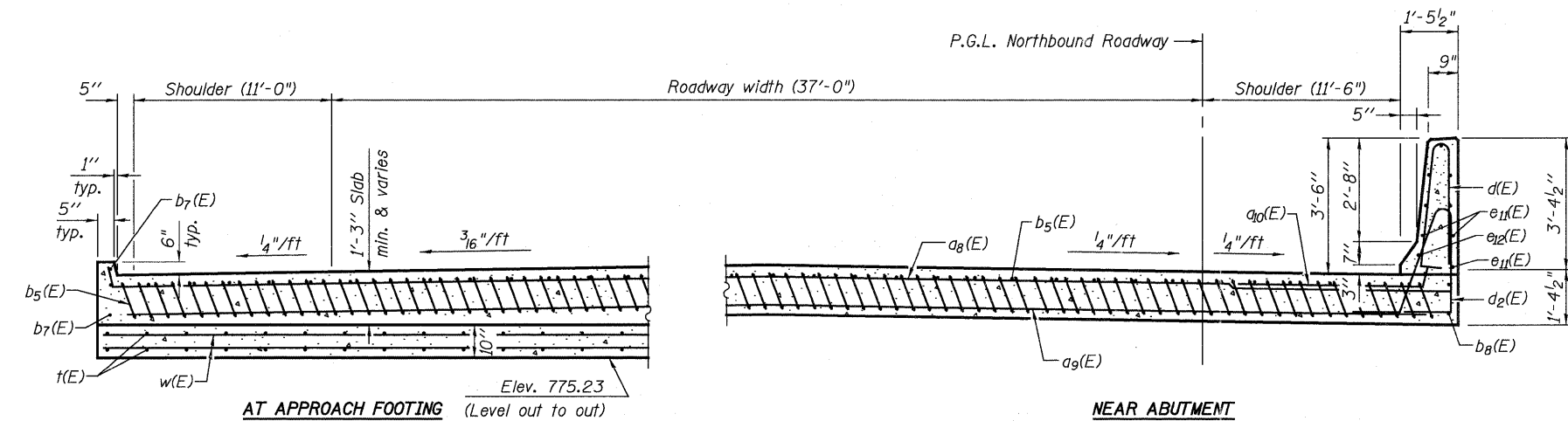


NEAR ABUTMENT

SECTION G-G

(See Plan for dimensions not shown)

AT APPROACH FOOTING



AT APPROACH FOOTING

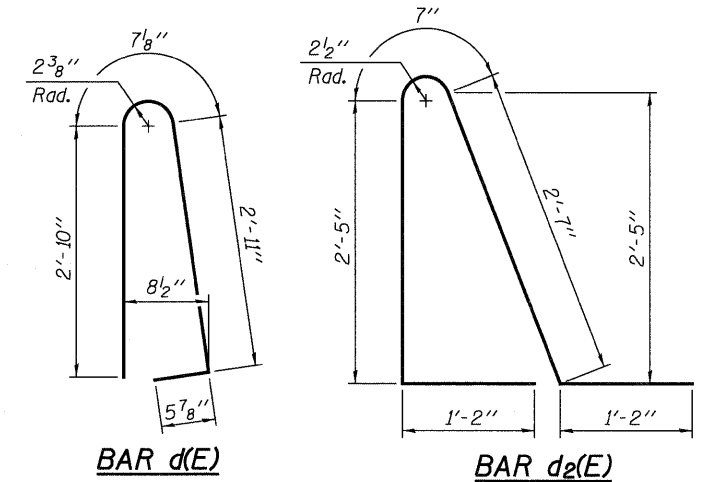
SECTION D-D

(See Plan for dimensions not shown)

NEAR ABUTMENT

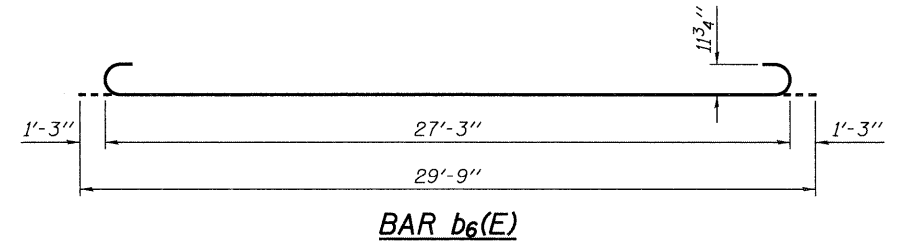
MINIMUM BAR LAP

#4 bar = 2'-1"
 #5 bar = 2'-7"

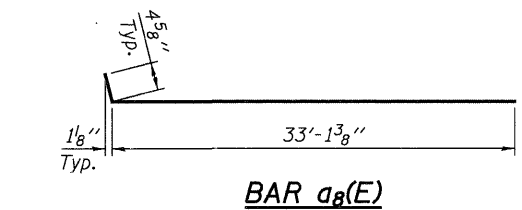


BAR d(E)

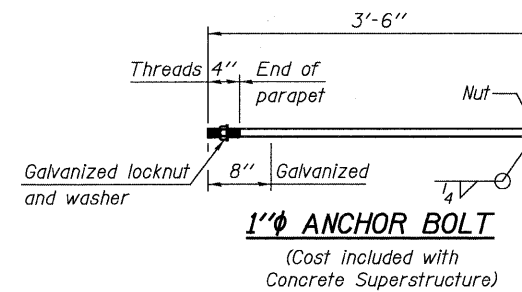
BAR d2(E)



BAR b6(E)



BAR a8(E)



1" ANCHOR BOLT

(Cost included with Concrete Superstructure)

BILL OF MATERIAL

Bar	No.	Size	Length	Shape
$a_8(E)$	50	#4	33'-6"	—
$a_9(E)$	92	#5	33'-3"	—
$a_{10}(E)$	36	#6	6'-6"	—
$b_5(E)$	48	#4	29'-8"	—
$b_6(E)$	140	#9	29'-9"	—
$b_7(E)$	2	#4	14'-8"	—
$b_8(E)$	1	#4	29'-8"	—
$d(E)$	50	#5	6'-10"	—
$d_2(E)$	50	#5	7'-11"	—
$e_9(E)$	8	#4	14'-8"	—
$e_{10}(E)$	1	#8	14'-8"	—
$e_{11}(E)$	8	#4	29'-8"	—
$e_{12}(E)$	1	#8	29'-8"	—
$t(E)$	124	#4	10'-0"	—
$w(E)$	80	#5	32'-10"	—
Concrete Superstructure		Cu. Yd.	98.6	
Concrete Structures		Cu. Yd.	18.9	
Reinforcement Bars, Epoxy Coated		Pound	24,505	

(Sheet 2 of 2)