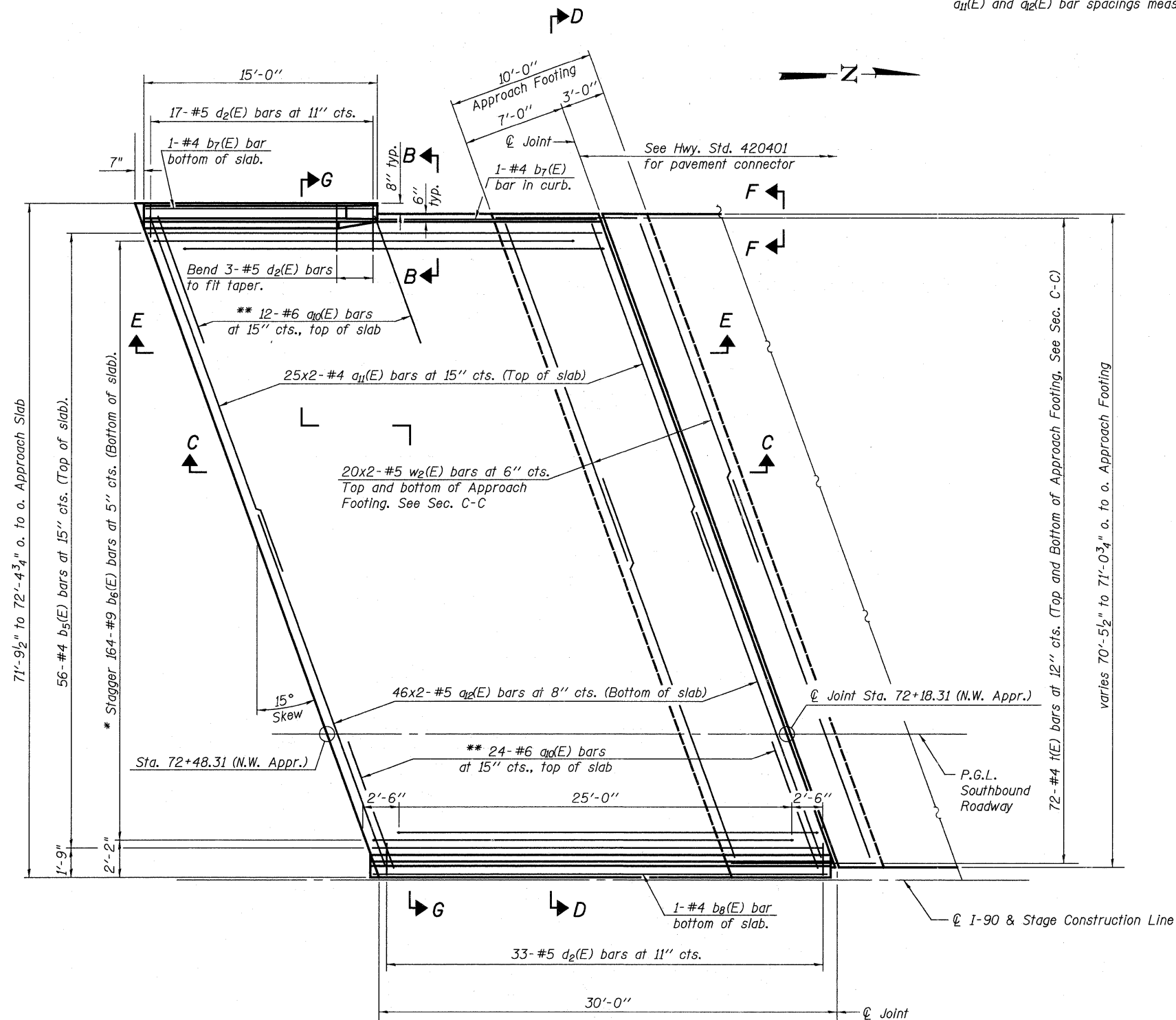
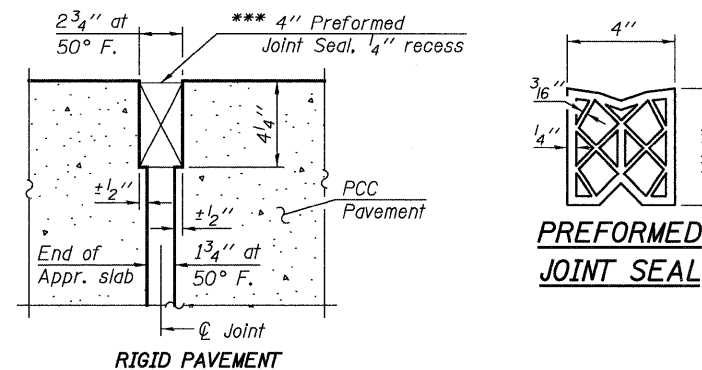


Notes:  
See sheet 24 of 48 for Sections C-C, D-D and G-G.  
 $a_{11}(E)$  and  $a_{12}(E)$  bar spacings measured along  $\phi$  Rdwy.



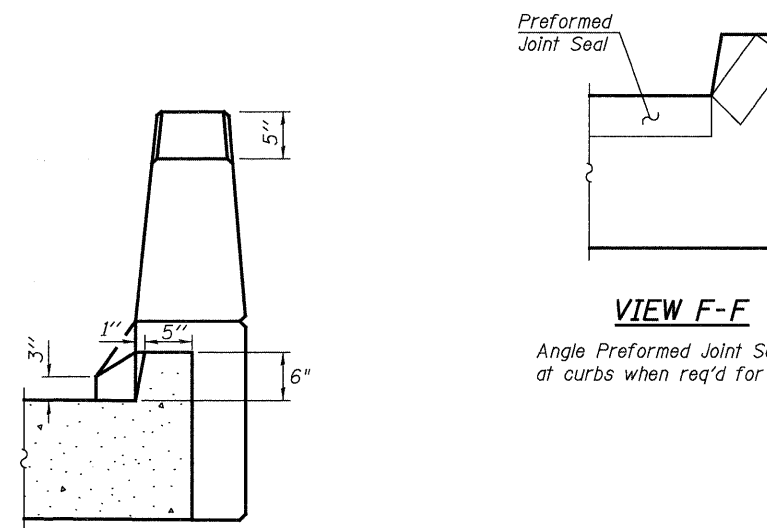
**PLAN**

\* Tilt #9  $b_8(E)$  bars as required to maintain clearance.  
\*\* Space between  $a_{11}(E)$  bars, typ. each parapet.



**DETAIL A**

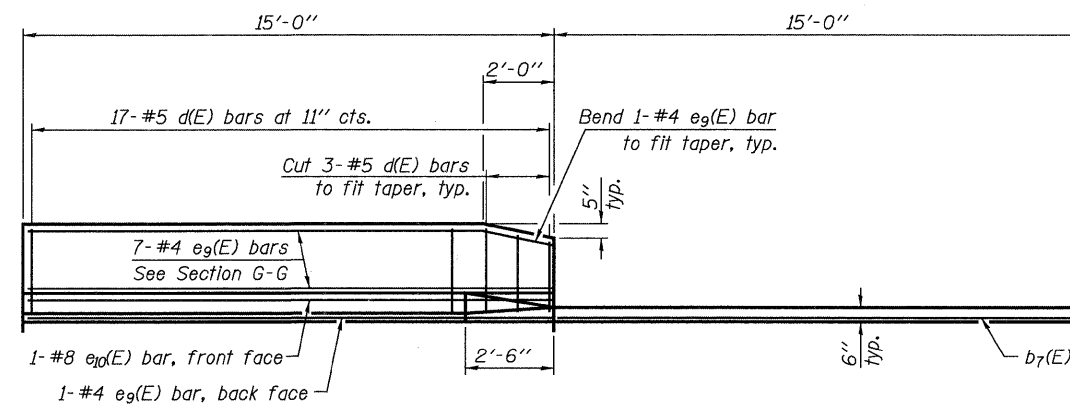
\*\*\* Cost included with Concrete Superstructure.



**VIEW F-F**

Angle Preformed Joint Seal at 45° at curbs when req'd for drainage.

**VIEW B-B**



**VIEW E-E**

(Sheet 1 of 2)