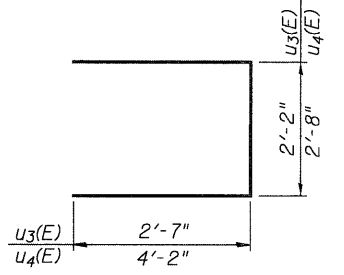
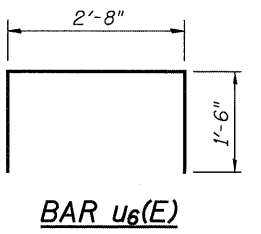
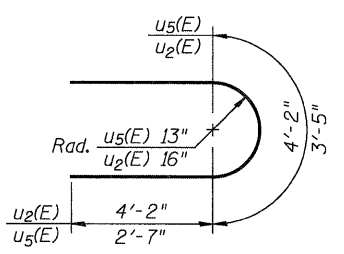
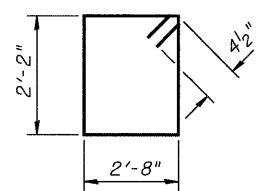
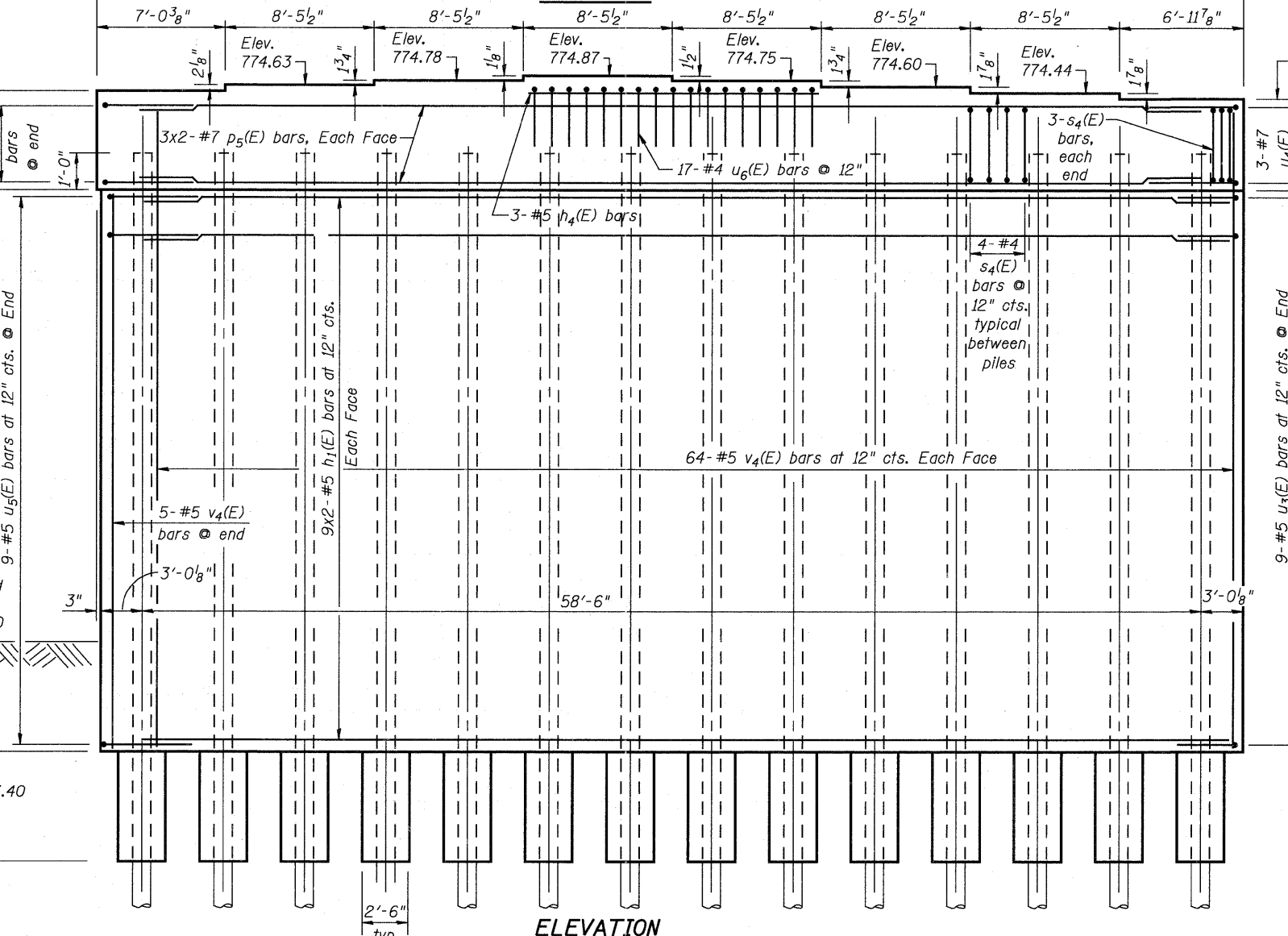
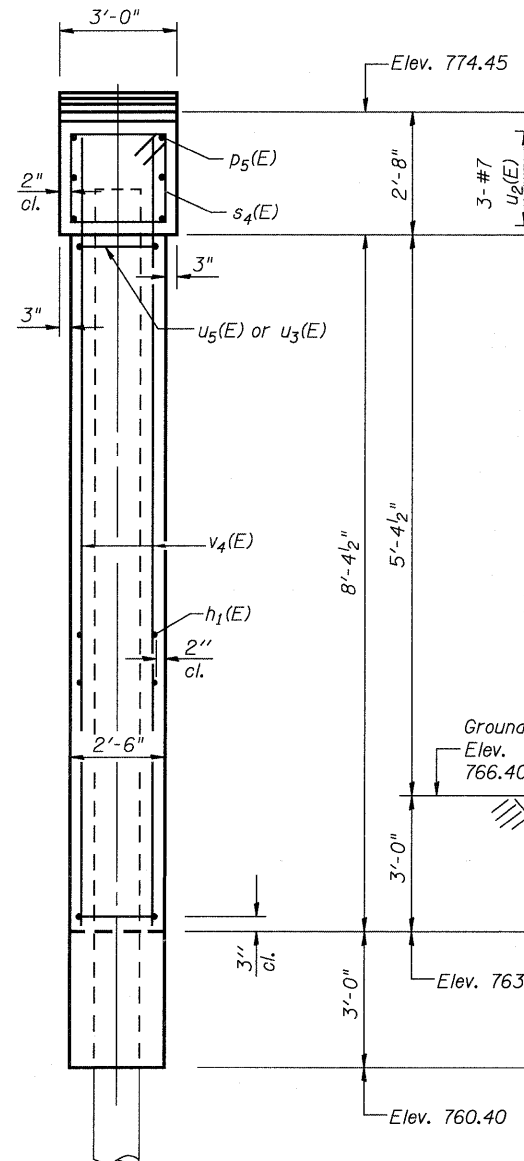
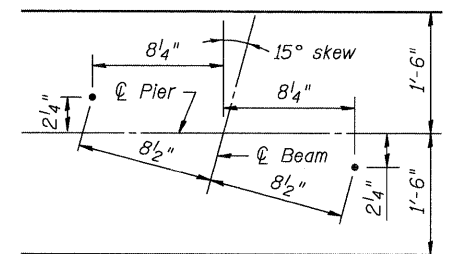
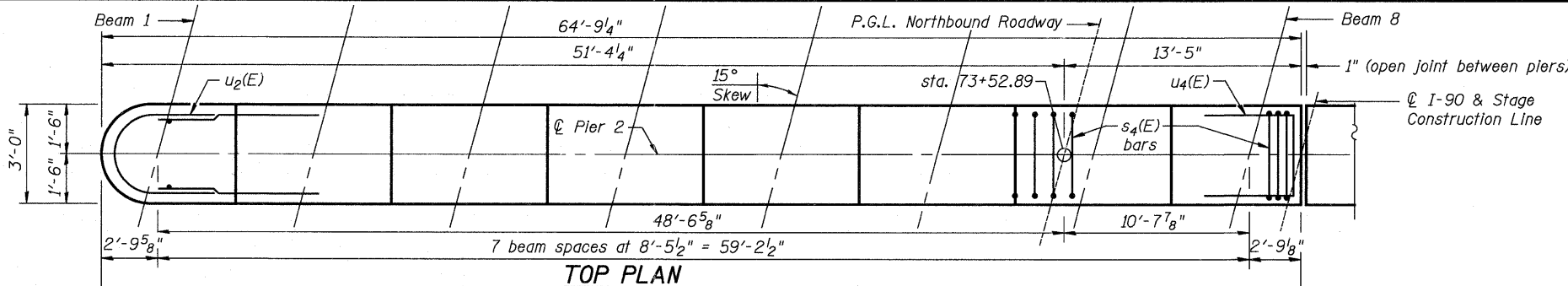


Notes:
 Space reinforcement in cap to miss anchor bolts.
 Pour steps monolithically with cap.
 For details of piles, see sheet 41 of 48.

PILE DATA

Type: 14" ϕ Metal Shell w/0.25" walls
 Nominal Required Bearing: 416 Kips/Pile
 Factored Resistance Available: 191 Kips/Pile
 Est. Length: 82 Feet
 No. Production Piles: 14
 No. Test Piles: 0

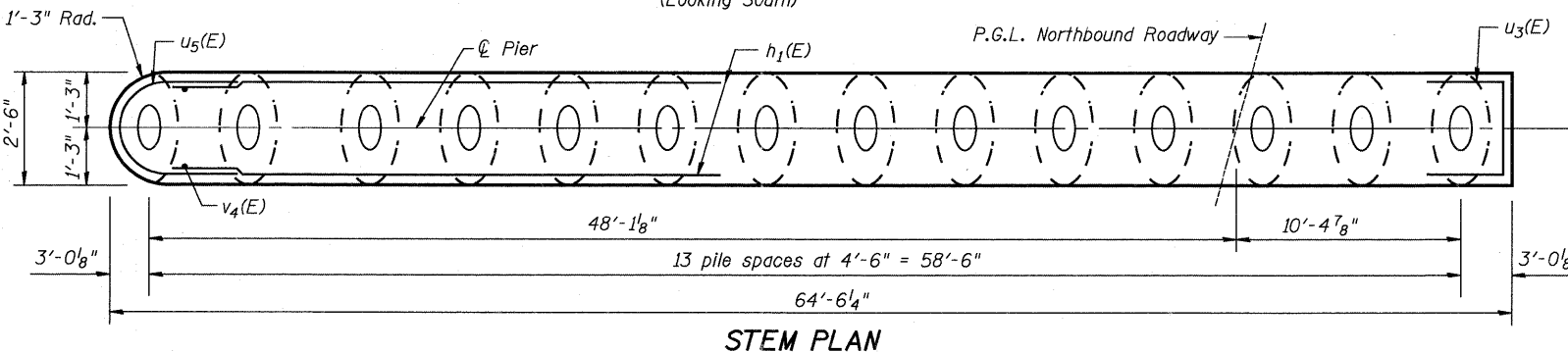


MINIMUM BAR LAP
 #5 bar = 2'-7"
 #7 bar = 4'-2"

BILL OF MATERIAL

Bar	No.	Size	Length	Shape
h1(E)	36	#5	32'-9"	—
h4(E)	3	#5	16'-7"	—
p5(E)	12	#7	33'-7"	—
s4(E)	58	#4	10'-5"	□
u2(E)	3	#7	12'-6"	U
u3(E)	9	#5	7'-4"	U
u4(E)	3	#7	11'-0"	U
u5(E)	9	#5	8'-7"	U
u6(E)	17	#4	5'-8"	U
v4(E)	133	#5	10'-6"	—
Structure Excavation			Cu. Yd.	49.5
Concrete Structures			Cu. Yd.	64.9
Reinforcement Bars, Epoxy Coated			Pound	4.323
Furnishing Metal Shell Piles, 14" ϕ x 0.250"			Foot	1150
Driving Piles			Foot	1150
Concrete Encasement			Cu. Yd.	6.0

Bars indicated thus 1 x 2-#5 etc. indicates 1 line of bars with 2 lengths per line.



USER NAME =	DESIGNED - JTT	REVISOR -
PLOT SCALE =	CHECKED - VAC	REVISOR -
PLOT DATE =	DRAWN - JBB	REVISOR -
	CHECKED - JTT	REVISOR -

STATE OF ILLINOIS
 DEPARTMENT OF TRANSPORTATION

PIER 2 NORTHBOUND DETAILS
 STRUCTURE NO. 101-0194
 BRIDGE SHEET NO. 38 OF 48 SHEETS

F.A.I. RTE. 90	SECTION (X2-1)R	COUNTY WINNEBAGO	TOTAL SHEETS 510	SHEET NO. 383
			CONTRACT NO. 64C29	
ILLINOIS FED. AID PROJECT				